

REVISIONS				
ZONE	REV.	DESCRIPTION	DATE	APPROVED

OMSI
OREGON MUSEUM OF SCIENCE AND INDUSTRY
 1945 SE WATER AVENUE
 PORTLAND, OR 97214-3354
 PH: 503.797.4000
 FAX: 503.797.4500
PROPRIETARY AND CONFIDENTIAL
 THE INFORMATION CONTAINED IN THIS DRAWING IS THE SOLE
 PROPERTY OF OMSI. ANY REPRODUCTION IN PART OR AS A
 WHOLE WITHOUT THE WRITTEN PERMISSION OF OMSI IS PROHIBITED.

UNLESS OTHERWISE SPECIFIED:
 DIMENSIONS ARE IN INCHES
 TOLERANCES:
 FRACTIONAL: ±1/32"
 ANGULAR: MACH ±0.25° BEND ±1°
 TWO PLACE DECIMAL ±0.03
 THREE PLACE DECIMAL ±0.005

SCALE:
 1:24

SHEET:
 1 OF 11

PROJECT:
 Exhibits
 Exhibits

DRAWING TITLE:
 SPLIT BILLION&INTRO

DRAWN BY:
 C BRINTON

DATE:
 5/18/2009

8

7

6

5

4

3

2

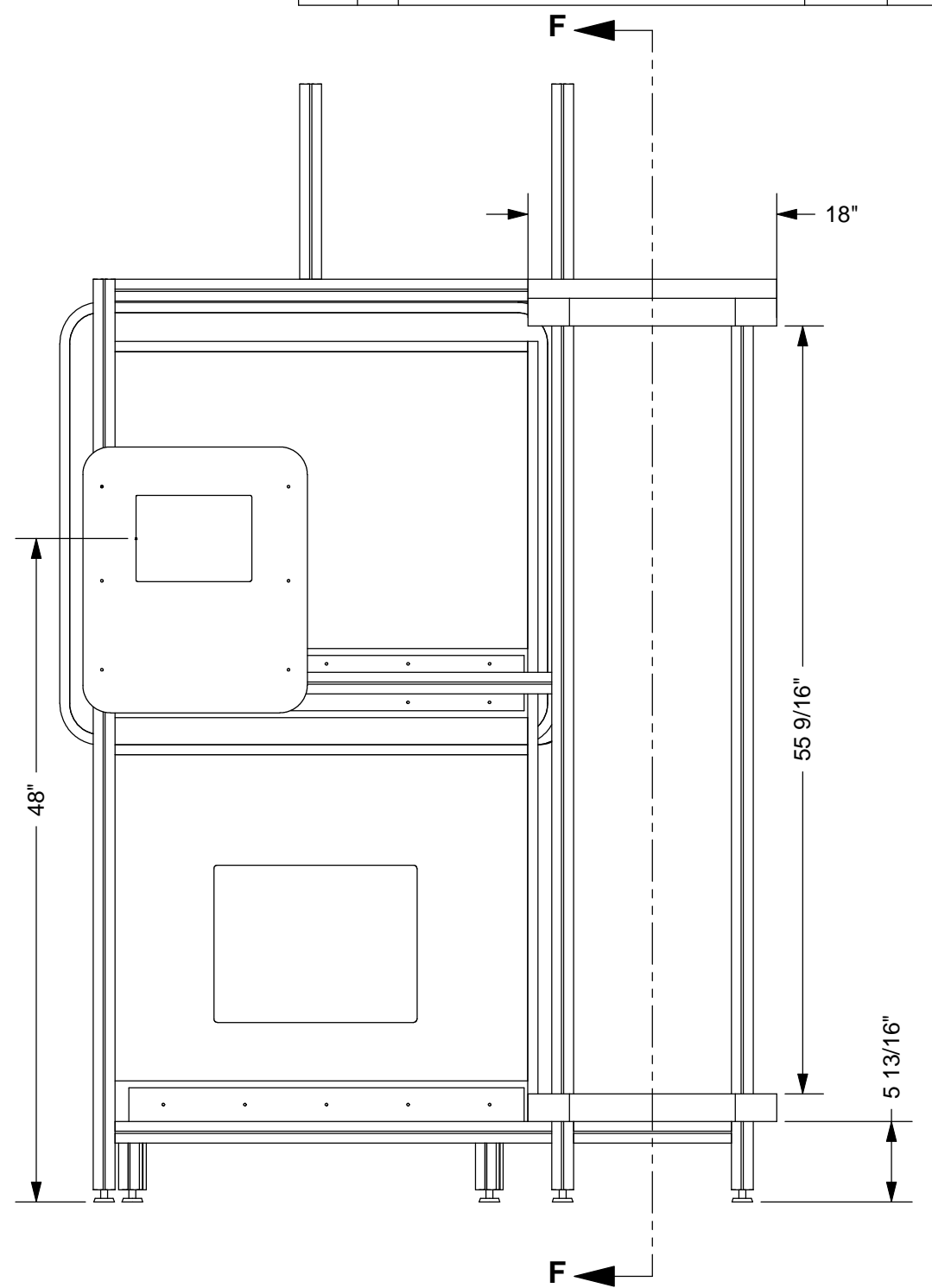
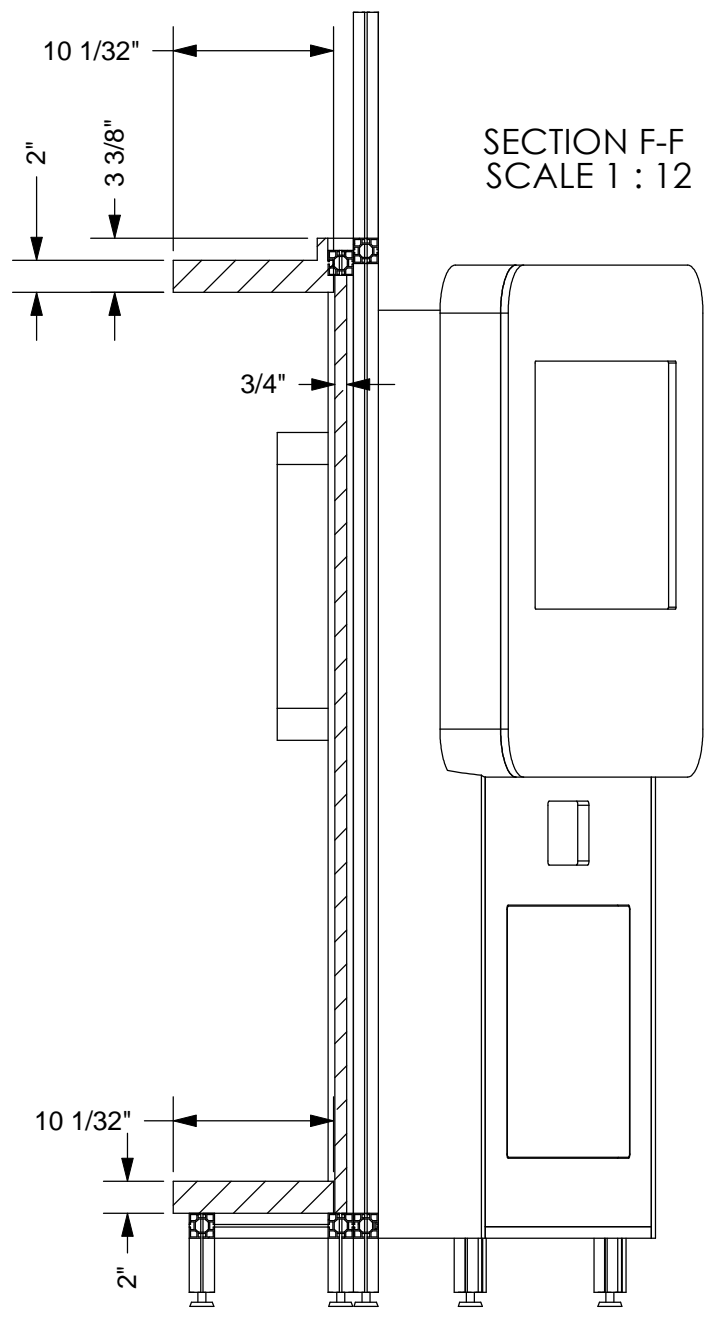
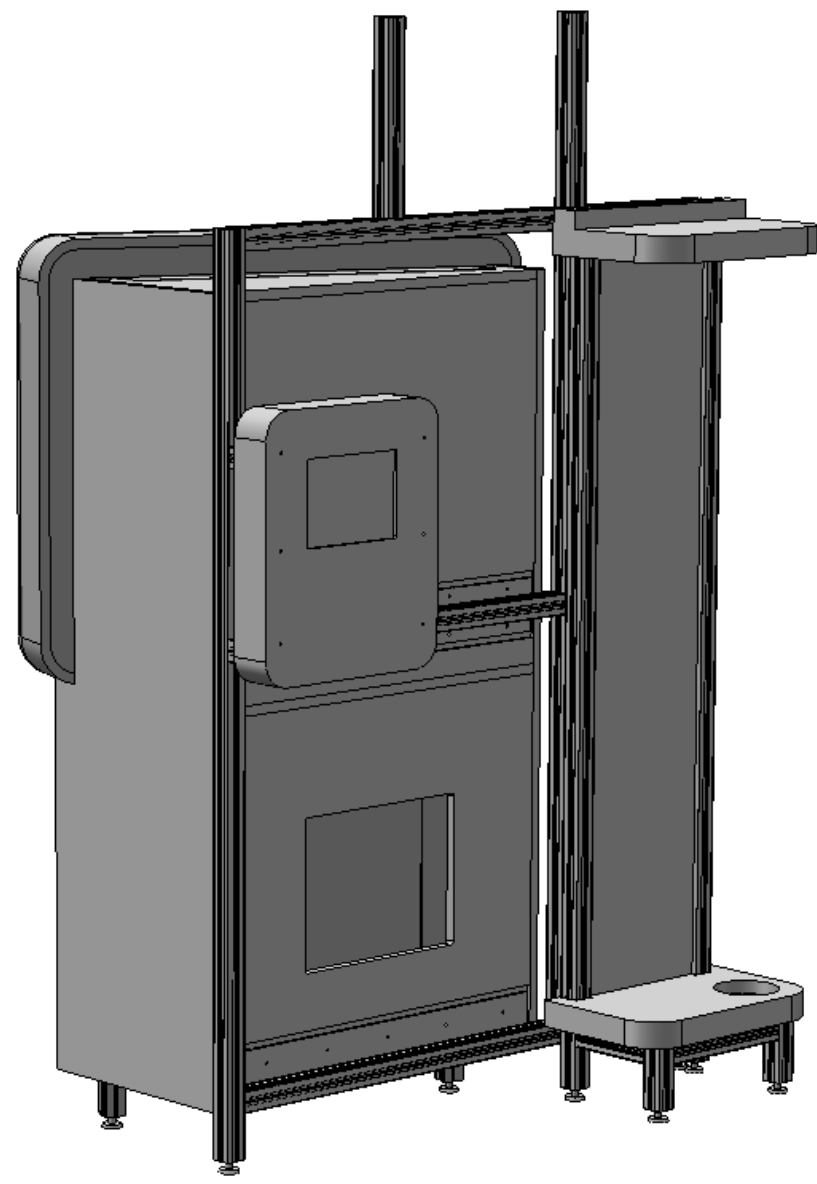
1

BILLION BEADS 2.0
 NOT FOR PRODUCTION
 REVIEW WITH TODD
 5-5-09

REVISIONS				
ZONE	REV.	DESCRIPTION	DATE	APPROVED

D
C
B
A

D
C
B
A



OMSI
OREGON MUSEUM OF SCIENCE AND INDUSTRY
 1945 SE WATER AVENUE
 PORTLAND, OR 97214-3354
 PH: 503.797.4000
 FAX: 503.797.4500
PROPRIETARY AND CONFIDENTIAL
 THE INFORMATION CONTAINED IN THIS DRAWING IS THE SOLE
 PROPERTY OF OMSI. ANY REPRODUCTION IN PART OR AS A
 WHOLE WITHOUT THE WRITTEN PERMISSION OF OMSI IS PROHIBITED.

UNLESS OTHERWISE SPECIFIED:
 DIMENSIONS ARE IN INCHES
 TOLERANCES:
 FRACTIONAL ±1/32"
 ANGULAR: MACH ±0.25° BEND ±1°
 TWO PLACE DECIMAL ±0.03
 THREE PLACE DECIMAL ±0.005

SCALE:
 1:24

SHEET:
 2 OF 11

PROJECT:

DRAWING TITLE:
 SPLIT BILLION&INTRO

DRAWN BY:

DIVISION-SOURCE:

DATE:
 5/18/2009

8

7

6

5

4

3

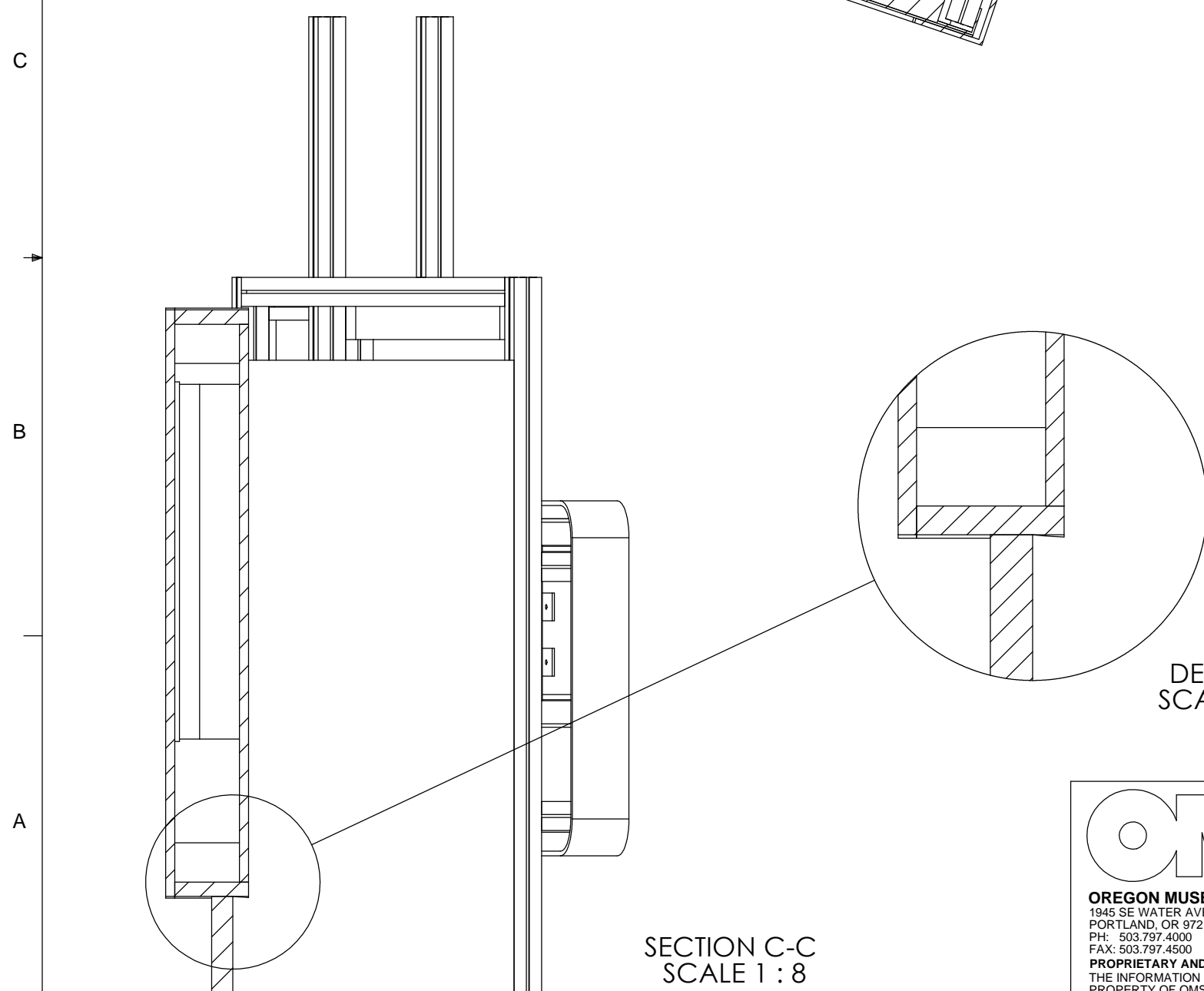
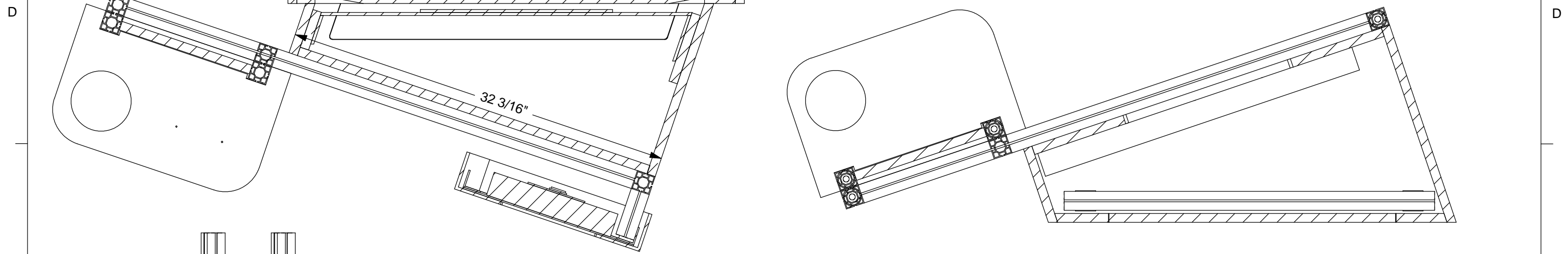
2

1

REVISIONS				
ZONE	REV.	DESCRIPTION	DATE	APPROVED

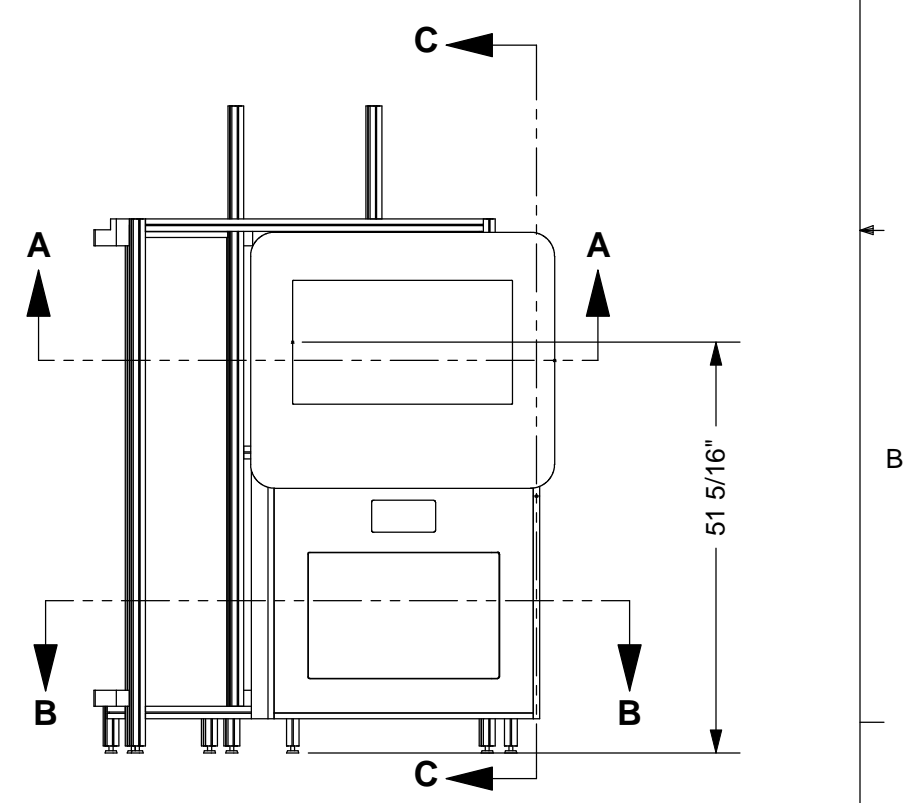
SECTION A-A
SCALE 1 : 8

SECTION B-B
SCALE 1 : 8



DETAIL D
SCALE 1 : 4

SECTION C-C
SCALE 1 : 8



OMSI
OREGON MUSEUM OF SCIENCE AND INDUSTRY
 1945 SE WATER AVENUE
 PORTLAND, OR 97214-3354
 PH: 503.797.4000
 FAX: 503.797.4500
PROPRIETARY AND CONFIDENTIAL
 THE INFORMATION CONTAINED IN THIS DRAWING IS THE SOLE
 PROPERTY OF OMSI. ANY REPRODUCTION IN PART OR AS A
 WHOLE WITHOUT THE WRITTEN PERMISSION OF OMSI IS PROHIBITED.

UNLESS OTHERWISE SPECIFIED:
 DIMENSIONS ARE IN INCHES
 TOLERANCES:
 FRACTIONAL ±1/32"
 ANGULAR: MACH ±0.25° BEND ±1°
 TWO PLACE DECIMAL ±0.03
 THREE PLACE DECIMAL ±0.005

SCALE:
 1:24

SHEET:
 3 OF 11

PROJECT:

DRAWING TITLE:
 SPLIT BILLION&INTRO

DRAWN BY:

DIVISION-SOURCE:

DATE:
 5/18/2009

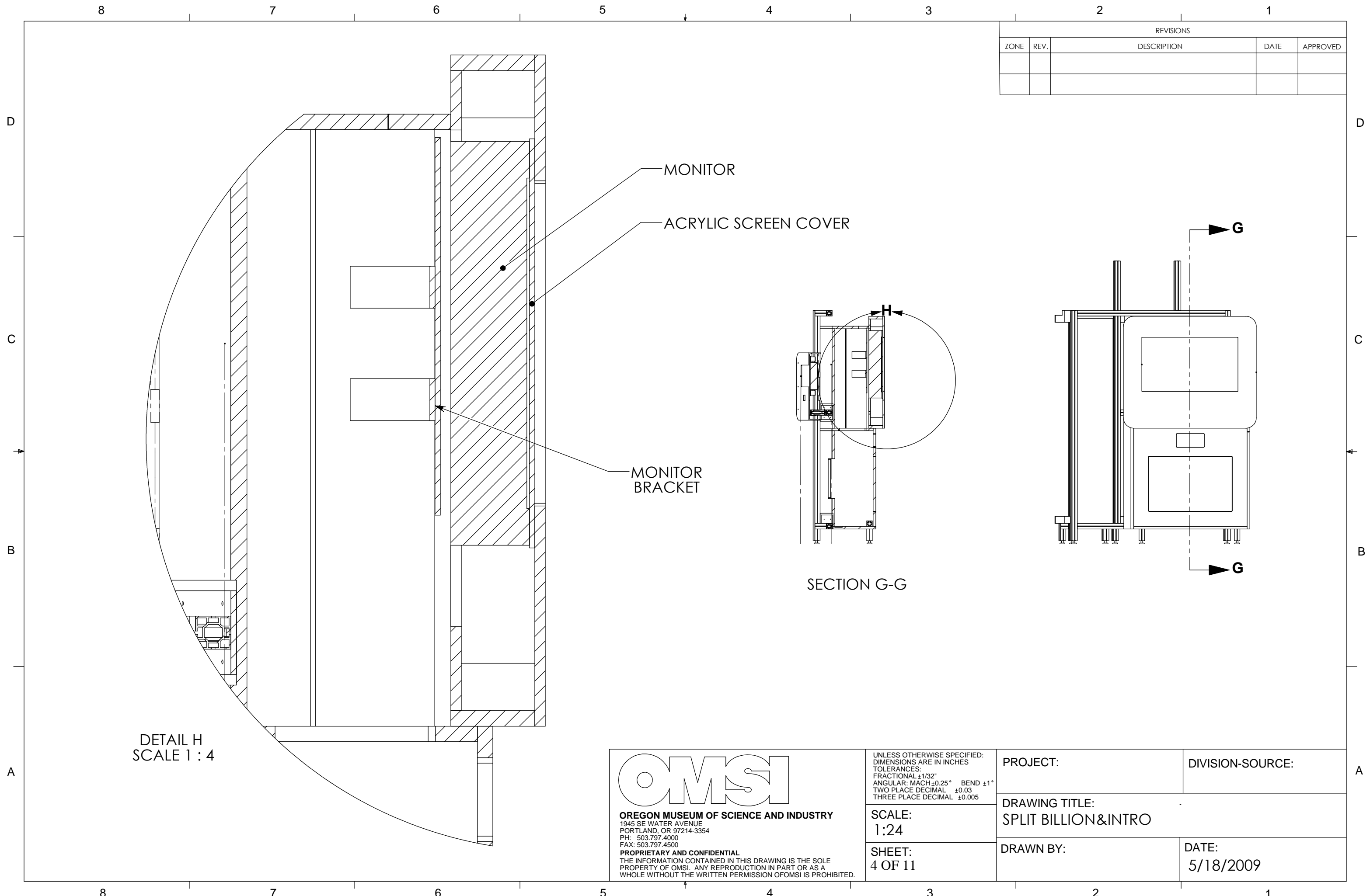
8 7 6 5 4 3 2 1

D
C
B
A

D
C
B
A

8 7 6 5 4 3 2 1

REVISIONS				
ZONE	REV.	DESCRIPTION	DATE	APPROVED



DETAIL H
SCALE 1 : 4

OMSI
OREGON MUSEUM OF SCIENCE AND INDUSTRY
 1945 SE WATER AVENUE
 PORTLAND, OR 97214-3354
 PH: 503.797.4000
 FAX: 503.797.4500
PROPRIETARY AND CONFIDENTIAL
 THE INFORMATION CONTAINED IN THIS DRAWING IS THE SOLE
 PROPERTY OF OMSI. ANY REPRODUCTION IN PART OR AS A
 WHOLE WITHOUT THE WRITTEN PERMISSION OF OMSI IS PROHIBITED.

UNLESS OTHERWISE SPECIFIED:
 DIMENSIONS ARE IN INCHES
 TOLERANCES:
 FRACTIONAL $\pm 1/32"$
 ANGULAR: MACH $\pm 0.25^\circ$ BEND $\pm 1^\circ$
 TWO PLACE DECIMAL ± 0.03
 THREE PLACE DECIMAL ± 0.005

SCALE:
1:24

SHEET:
4 OF 11

PROJECT:

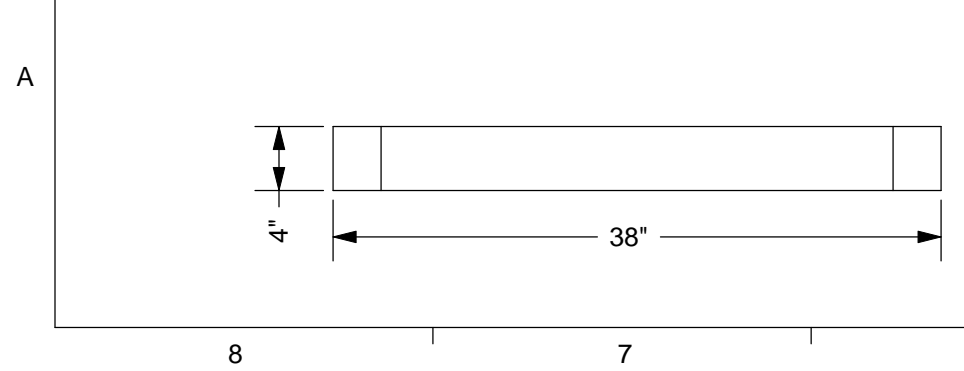
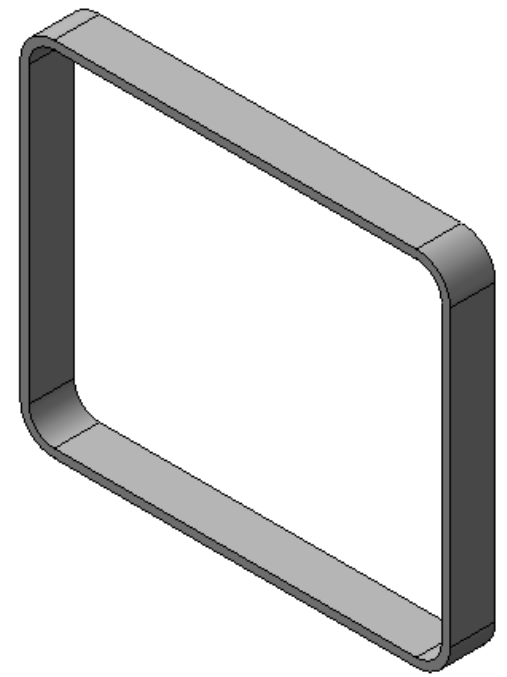
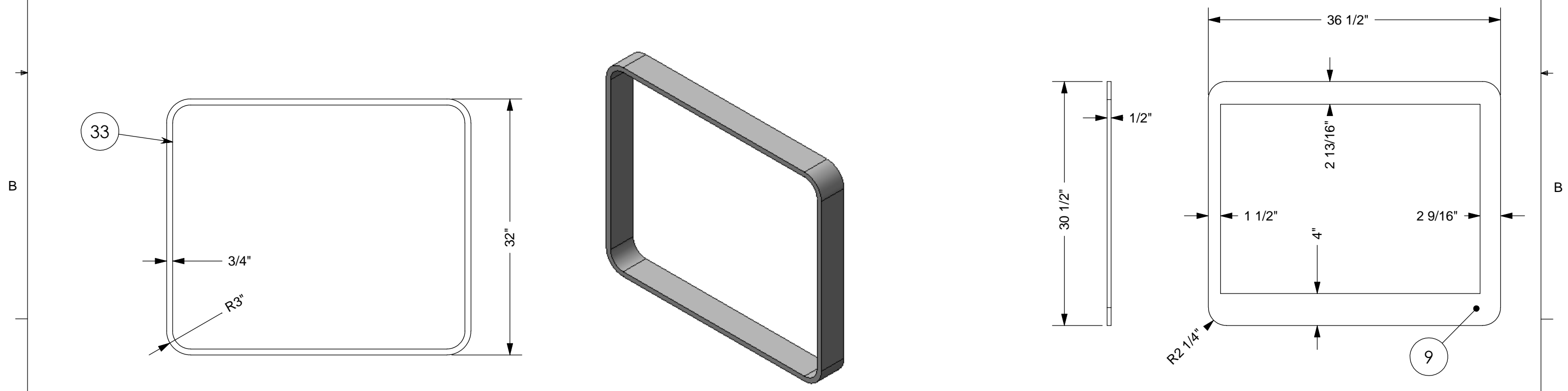
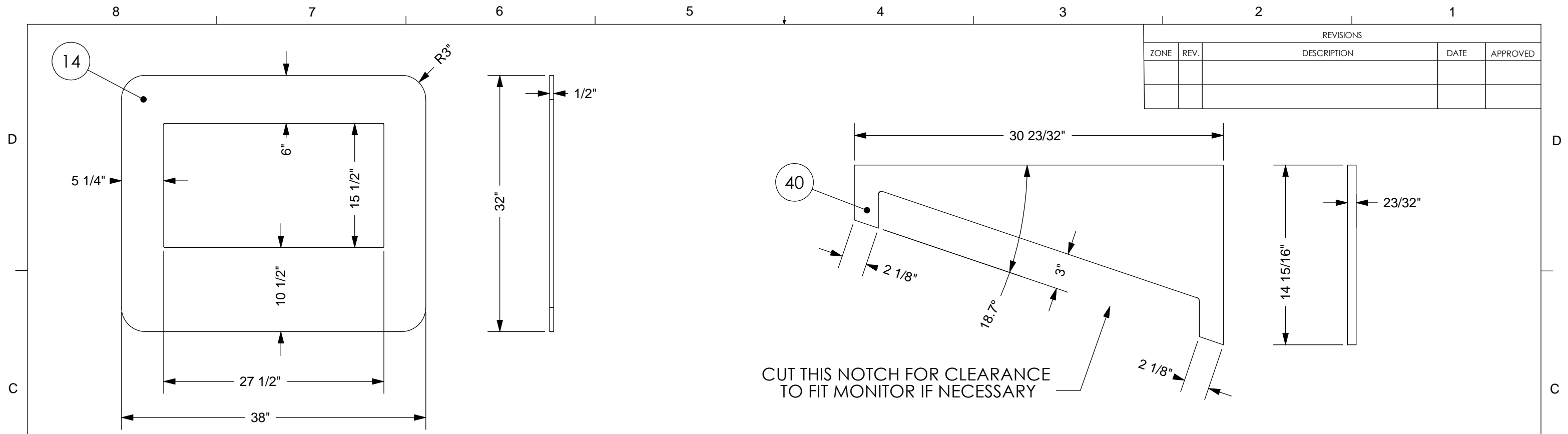
DIVISION-SOURCE:


DRAWING TITLE:
SPLIT BILLION&INTRO

DRAWN BY:

DATE:
5/18/2009

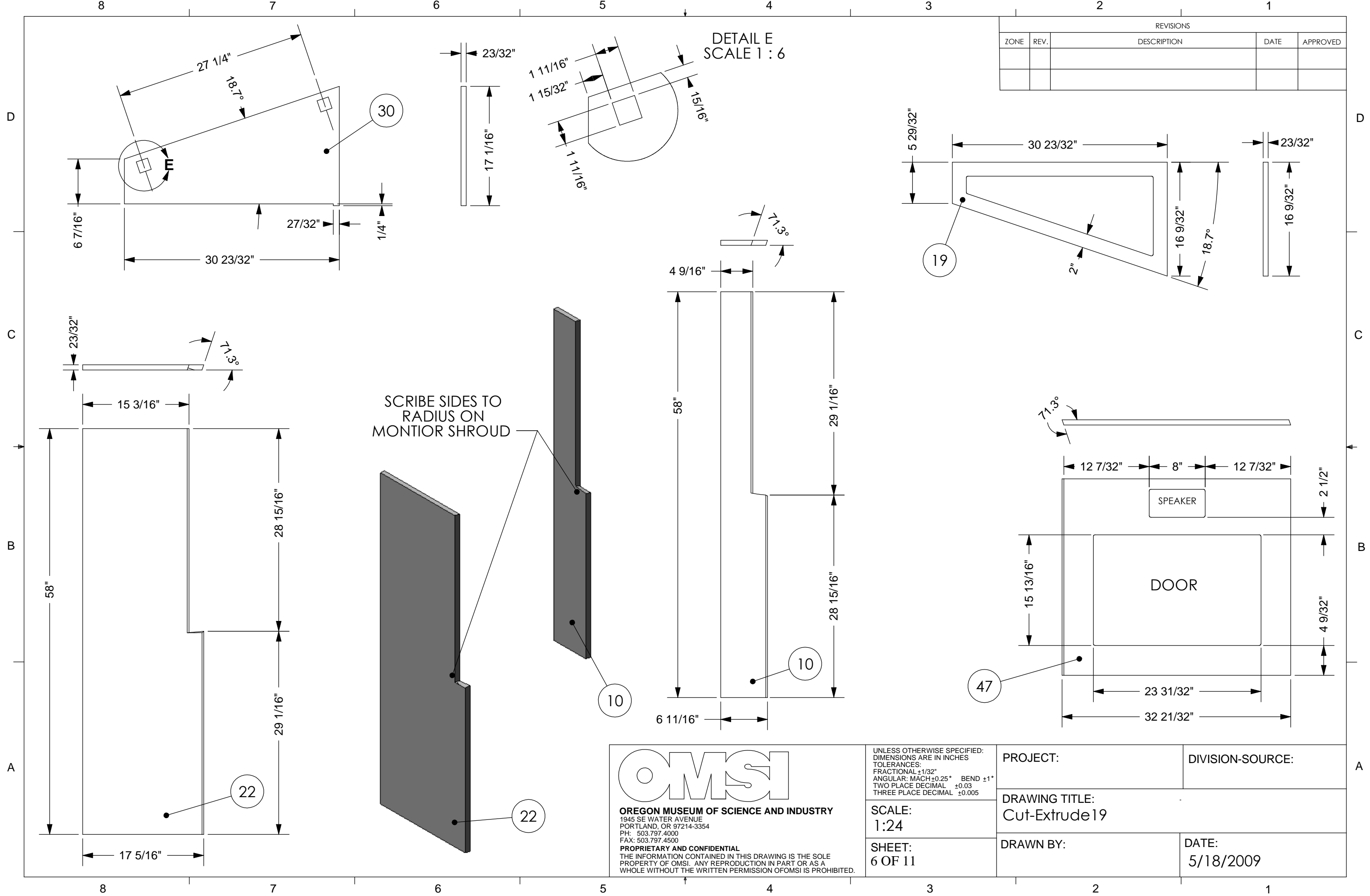
REVISIONS				
ZONE	REV.	DESCRIPTION	DATE	APPROVED



 <p>OREGON MUSEUM OF SCIENCE AND INDUSTRY 1945 SE WATER AVENUE PORTLAND, OR 97214-3354 PH: 503.797.4000 FAX: 503.797.4500 PROPRIETARY AND CONFIDENTIAL THE INFORMATION CONTAINED IN THIS DRAWING IS THE SOLE PROPERTY OF OMSI. ANY REPRODUCTION IN PART OR AS A WHOLE WITHOUT THE WRITTEN PERMISSION OF OMSI IS PROHIBITED.</p>	UNLESS OTHERWISE SPECIFIED: DIMENSIONS ARE IN INCHES TOLERANCES: FRACTIONAL ±1/32" ANGULAR: MACH ±0.25° BEND ±1° TWO PLACE DECIMAL ±0.03 THREE PLACE DECIMAL ±0.005	PROJECT:	DIVISION-SOURCE:
	SCALE: 1:24	DRAWING TITLE: Cut-Extrude2	
	SHEET: 5 OF 11	DRAWN BY:	DATE: 5/18/2009

REVISIONS				
ZONE	REV.	DESCRIPTION	DATE	APPROVED

DETAIL E
SCALE 1 : 6



SCRIBE SIDES TO
RADIUS ON
MONTIOR SHROUD

OMSI
OREGON MUSEUM OF SCIENCE AND INDUSTRY
 1945 SE WATER AVENUE
 PORTLAND, OR 97214-3354
 PH: 503.797.4000
 FAX: 503.797.4500
PROPRIETARY AND CONFIDENTIAL
 THE INFORMATION CONTAINED IN THIS DRAWING IS THE SOLE
 PROPERTY OF OMSI. ANY REPRODUCTION IN PART OR AS A
 WHOLE WITHOUT THE WRITTEN PERMISSION OF OMSI IS PROHIBITED.

UNLESS OTHERWISE SPECIFIED:
 DIMENSIONS ARE IN INCHES
 TOLERANCES:
 FRACTIONAL ±1/32"
 ANGULAR: MACH ±0.25° BEND ±1°
 TWO PLACE DECIMAL ±0.03
 THREE PLACE DECIMAL ±0.005

SCALE:
 1:24

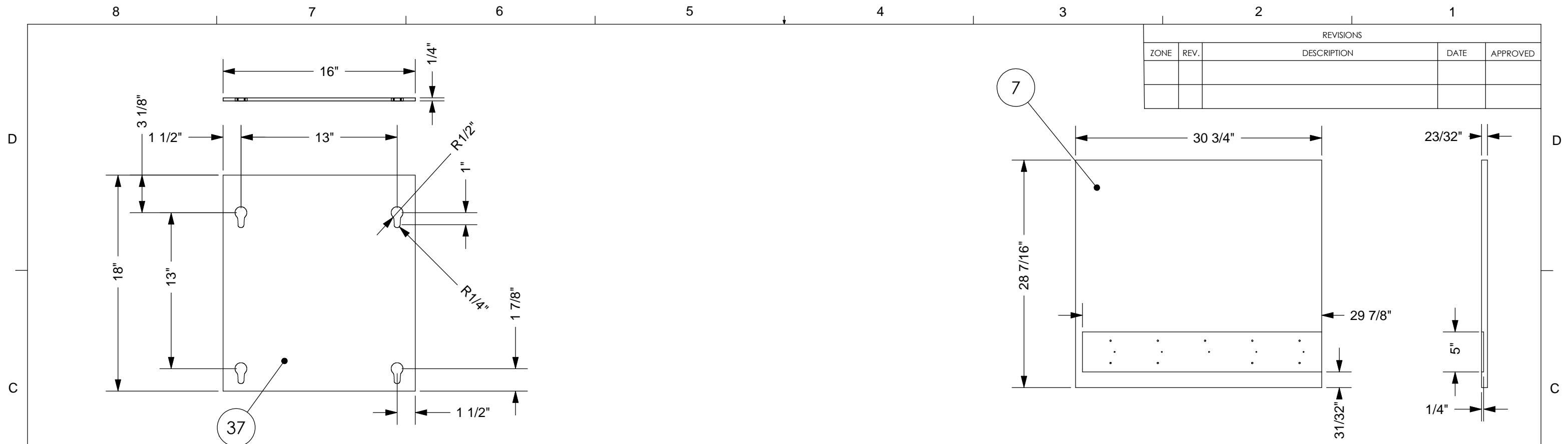
SHEET:
 6 OF 11

PROJECT:
 DIVISION-SOURCE:

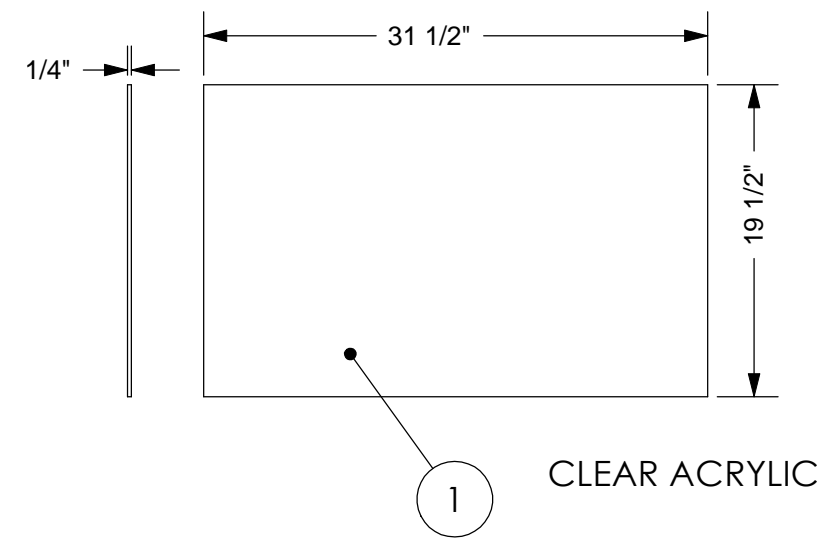
DRAWING TITLE:
 Cut-Extrude19

DRAWN BY:
 DATE:
 5/18/2009

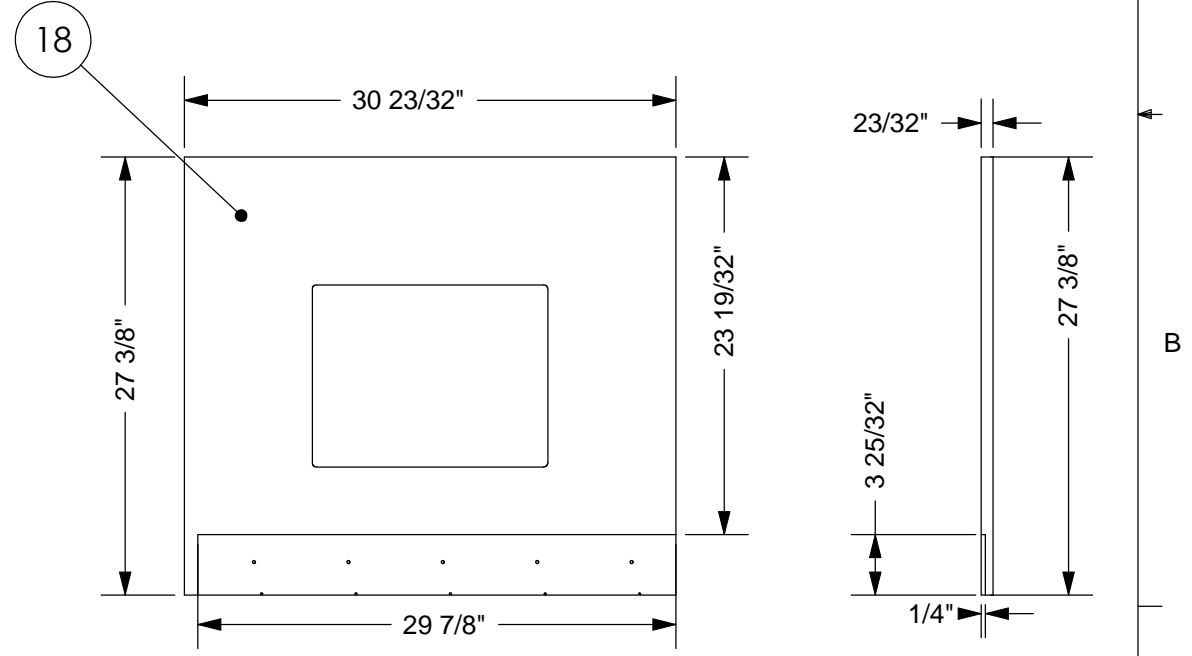
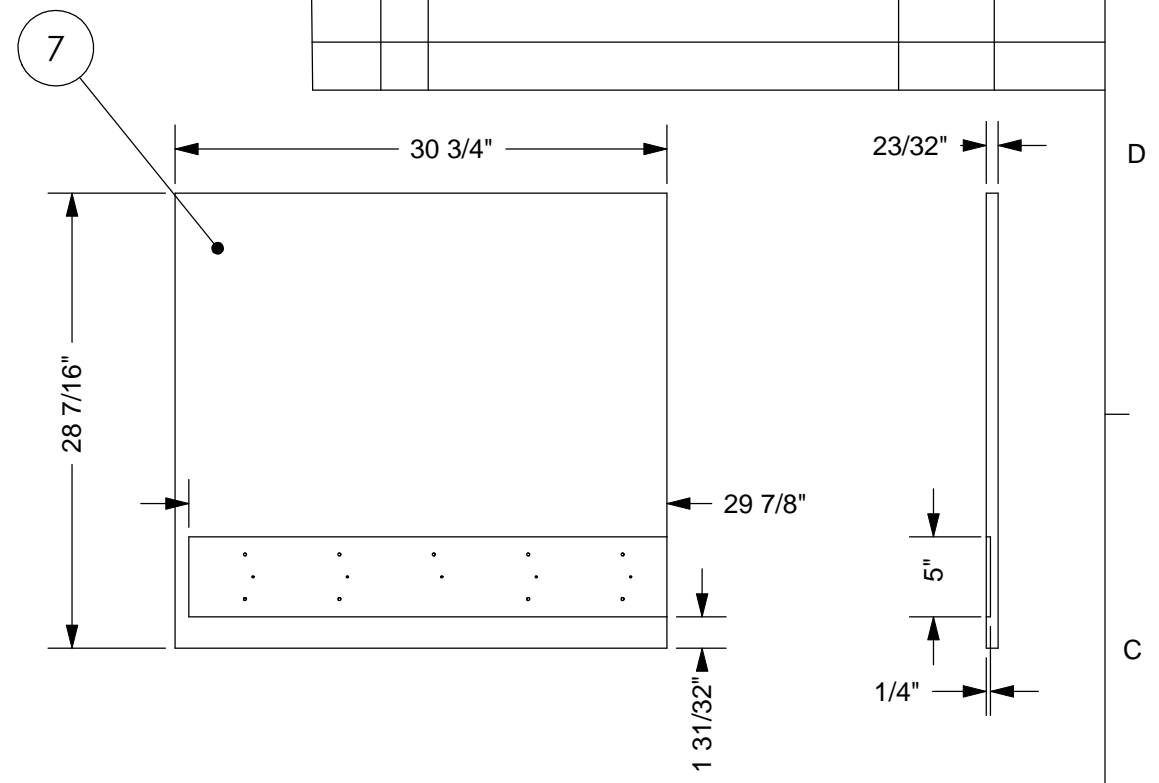
REVISIONS				
ZONE	REV.	DESCRIPTION	DATE	APPROVED



STEEL PLATE



CLEAR ACRYLIC



OMSI
OREGON MUSEUM OF SCIENCE AND INDUSTRY
 1945 SE WATER AVENUE
 PORTLAND, OR 97214-3354
 PH: 503.797.4000
 FAX: 503.797.4500
PROPRIETARY AND CONFIDENTIAL
 THE INFORMATION CONTAINED IN THIS DRAWING IS THE SOLE
 PROPERTY OF OMSI. ANY REPRODUCTION IN PART OR AS A
 WHOLE WITHOUT THE WRITTEN PERMISSION OF OMSI IS PROHIBITED.

UNLESS OTHERWISE SPECIFIED:
 DIMENSIONS ARE IN INCHES
 TOLERANCES:
 FRACTIONAL ±1/32"
 ANGULAR: MACH ±0.25° BEND ±1°
 TWO PLACE DECIMAL ±0.03
 THREE PLACE DECIMAL ±0.005

SCALE:
 1:24

SHEET:
 7 OF 11

PROJECT:

DRAWING TITLE:
 Cut-Extrude25[1]

DRAWN BY:

DIVISION-SOURCE:

DATE:
 5/18/2009

8

7

6

5

4

3

2

1

REVISIONS				
ZONE	REV.	DESCRIPTION	DATE	APPROVED

D

D

BLOCKING FOR MONITOR BRACKET

C

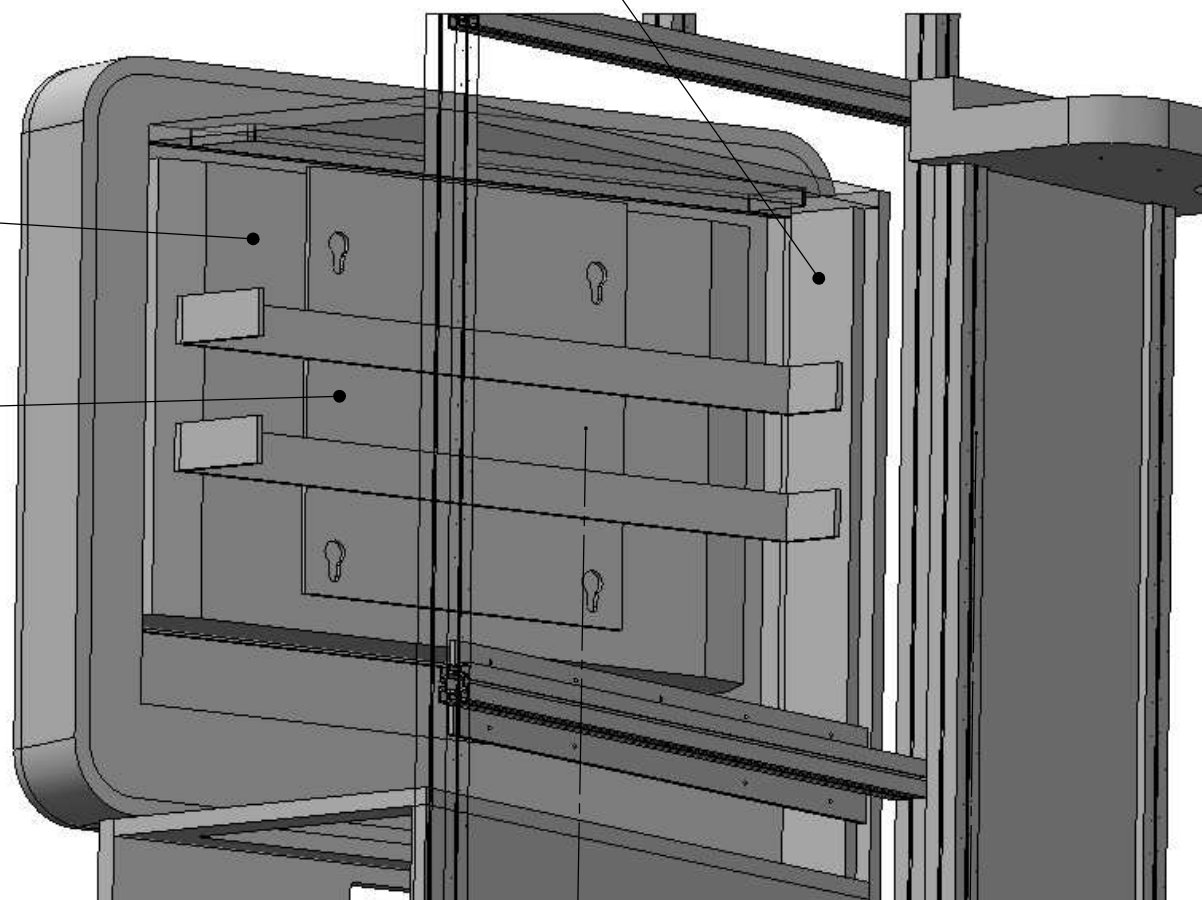
C

MONITOR

MONITOR BRACKET


B

B



A

A

 <p>OREGON MUSEUM OF SCIENCE AND INDUSTRY 1945 SE WATER AVENUE PORTLAND, OR 97214-3354 PH: 503.797.4000 FAX: 503.797.4500 PROPRIETARY AND CONFIDENTIAL THE INFORMATION CONTAINED IN THIS DRAWING IS THE SOLE PROPERTY OF OMSI. ANY REPRODUCTION IN PART OR AS A WHOLE WITHOUT THE WRITTEN PERMISSION OF OMSI IS PROHIBITED.</p>	<small>UNLESS OTHERWISE SPECIFIED: DIMENSIONS ARE IN INCHES TOLERANCES: FRACTIONAL ±1/32" ANGULAR: MACH ±0.25° BEND ±1° TWO PLACE DECIMAL ±0.03 THREE PLACE DECIMAL ±0.005</small>	PROJECT:	DIVISION-SOURCE:
	SCALE: 1:24	DRAWING TITLE: SPLIT BILLION&INTRO	
	SHEET: 8 OF 11	DRAWN BY:	DATE: 5/18/2009

8

7

6

5

4

3

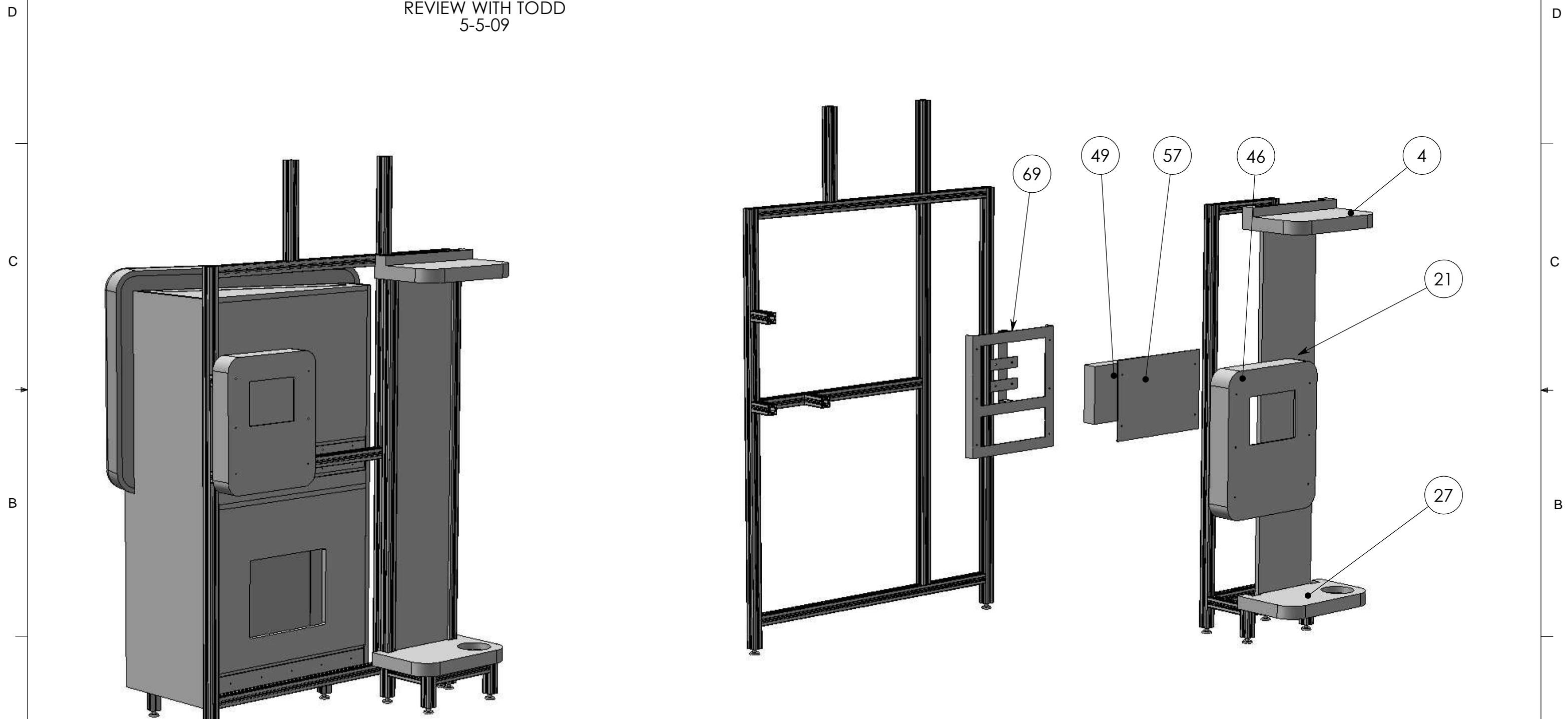
2

1

8 7 6 5 4 3 2 1

REVISIONS				
ZONE	REV.	DESCRIPTION	DATE	APPROVED

NOT FOR PRODUCTION
 REVIEW WITH TODD
 5-5-09



A

OMSI
OREGON MUSEUM OF SCIENCE AND INDUSTRY
 1945 SE WATER AVENUE
 PORTLAND, OR 97214-3354
 PH: 503.797.4000
 FAX: 503.797.4500
PROPRIETARY AND CONFIDENTIAL
 THE INFORMATION CONTAINED IN THIS DRAWING IS THE SOLE
 PROPERTY OF OMSI. ANY REPRODUCTION IN PART OR AS A
 WHOLE WITHOUT THE WRITTEN PERMISSION OF OMSI IS PROHIBITED.

UNLESS OTHERWISE SPECIFIED:
 DIMENSIONS ARE IN INCHES
 TOLERANCES:
 FRACTIONAL: $\pm 1/32"$
 ANGULAR: MACH $\pm 0.25^\circ$ BEND $\pm 1^\circ$
 TWO PLACE DECIMAL ± 0.03
 THREE PLACE DECIMAL ± 0.005

SCALE:
 1:24

SHEET:
 9 OF 11

PROJECT:

DRAWING TITLE:
 SPLIT BILLION&INTRO

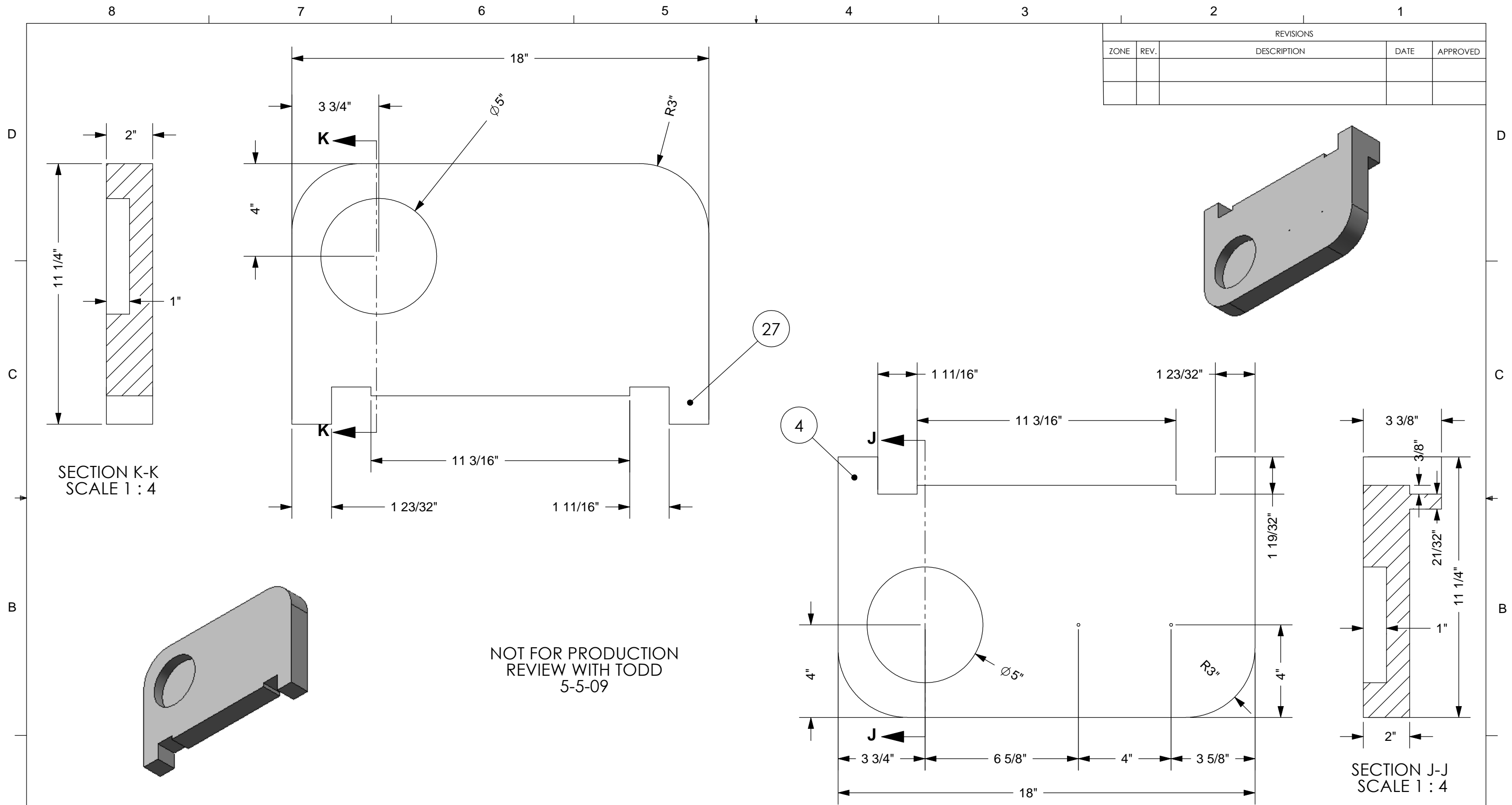
DRAWN BY:

DIVISION-SOURCE:

DATE:
 5/18/2009

8 7 6 5 4 3 2 1

REVISIONS				
ZONE	REV.	DESCRIPTION	DATE	APPROVED



SECTION K-K
SCALE 1 : 4

SECTION J-J
SCALE 1 : 4

NOT FOR PRODUCTION
REVIEW WITH TODD
5-5-09

OMSI
OREGON MUSEUM OF SCIENCE AND INDUSTRY
 1945 SE WATER AVENUE
 PORTLAND, OR 97214-3354
 PH: 503.797.4000
 FAX: 503.797.4500
PROPRIETARY AND CONFIDENTIAL
 THE INFORMATION CONTAINED IN THIS DRAWING IS THE SOLE
 PROPERTY OF OMSI. ANY REPRODUCTION IN PART OR AS A
 WHOLE WITHOUT THE WRITTEN PERMISSION OF OMSI IS PROHIBITED.

UNLESS OTHERWISE SPECIFIED:
 DIMENSIONS ARE IN INCHES
 TOLERANCES:
 FRACTIONAL $\pm 1/32"$
 ANGULAR: MACH $\pm 0.25^\circ$ BEND $\pm 1^\circ$
 TWO PLACE DECIMAL ± 0.03
 THREE PLACE DECIMAL ± 0.005

SCALE:
 1:24

SHEET:
 10 OF 11

PROJECT:

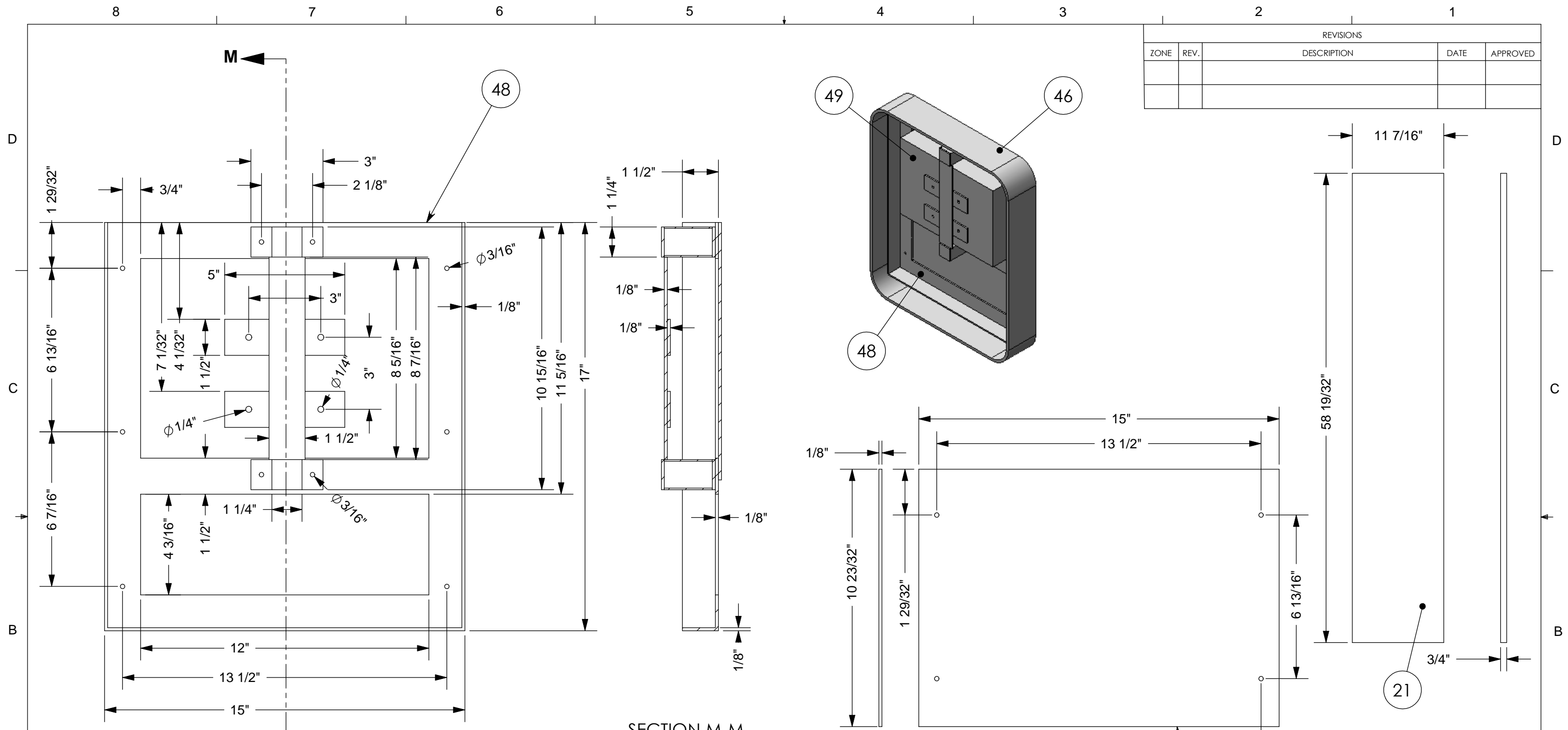
DRAWING TITLE:
 Cut-Extrude27

DRAWN BY:

DIVISION-SOURCE:

DATE:
 5/18/2009

REVISIONS				
ZONE	REV.	DESCRIPTION	DATE	APPROVED



SECTION M-M
SCALE 1 : 4

.125 CLEAR ACRYLIC

NOT FOR PRODUCTION
REVIEW WITH TODD
5-5-09

OMSI
OREGON MUSEUM OF SCIENCE AND INDUSTRY
 1945 SE WATER AVENUE
 PORTLAND, OR 97214-3354
 PH: 503.797.4000
 FAX: 503.797.4500
PROPRIETARY AND CONFIDENTIAL
 THE INFORMATION CONTAINED IN THIS DRAWING IS THE SOLE
 PROPERTY OF OMSI. ANY REPRODUCTION IN PART OR AS A
 WHOLE WITHOUT THE WRITTEN PERMISSION OF OMSI IS PROHIBITED.

UNLESS OTHERWISE SPECIFIED:
 DIMENSIONS ARE IN INCHES
 TOLERANCES:
 FRACTIONAL ±1/32"
 ANGULAR: MACH ±0.25° BEND ±1°
 TWO PLACE DECIMAL ±0.03
 THREE PLACE DECIMAL ±0.005

SCALE:
1:24

SHEET:
11 OF 11

PROJECT:

DRAWING TITLE:
Extrude66

DRAWN BY:

DIVISION-SOURCE:

DATE:
5/18/2009