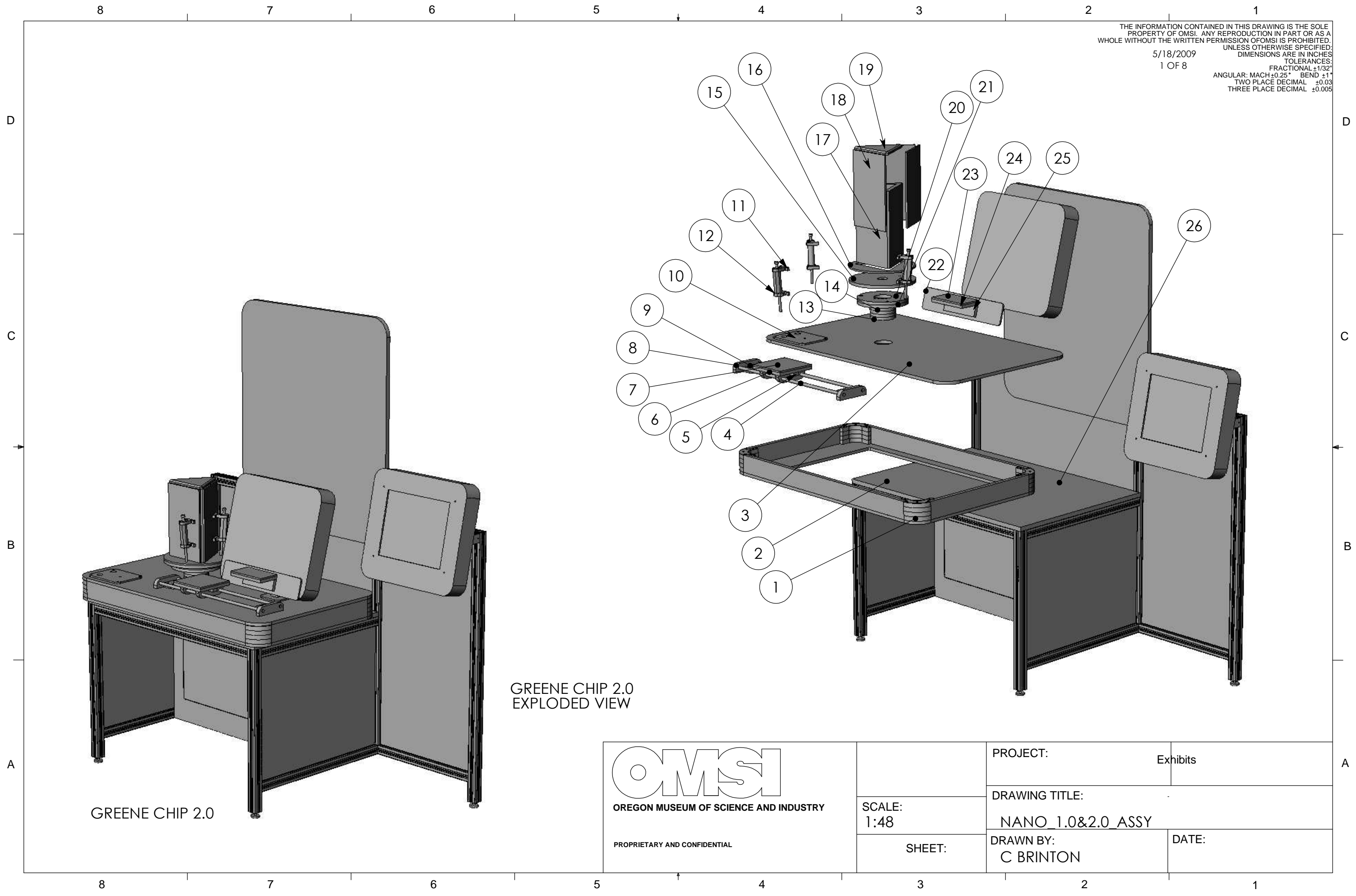



THE INFORMATION CONTAINED IN THIS DRAWING IS THE SOLE
 PROPERTY OF OMSI. ANY REPRODUCTION IN PART OR AS A
 WHOLE WITHOUT THE WRITTEN PERMISSION OF OMSI IS PROHIBITED.
 UNLESS OTHERWISE SPECIFIED:
 DIMENSIONS ARE IN INCHES
 TOLERANCES:
 FRACTIONAL ±1/32"
 ANGULAR: MACH ±0.25° BEND ±1°
 TWO PLACE DECIMAL ±0.03
 THREE PLACE DECIMAL ±0.005

5/18/2009
 1 OF 8



GREENE CHIP 2.0

GREENE CHIP 2.0
 EXPLODED VIEW

 OREGON MUSEUM OF SCIENCE AND INDUSTRY PROPRIETARY AND CONFIDENTIAL	SCALE: 1:48	PROJECT: Exhibits
	SHEET:	DRAWING TITLE: NANO_1.0&2.0_ASSY
		DRAWN BY: C BRINTON

8

7

6

5

4

3

2

1

D

D

C

C

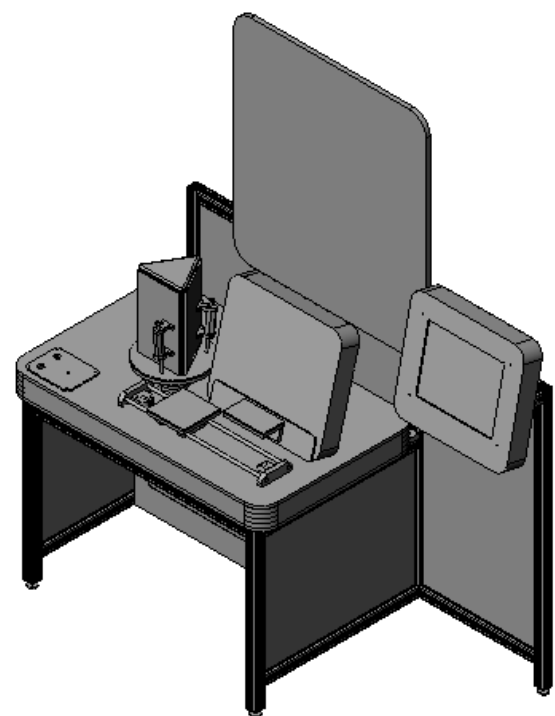
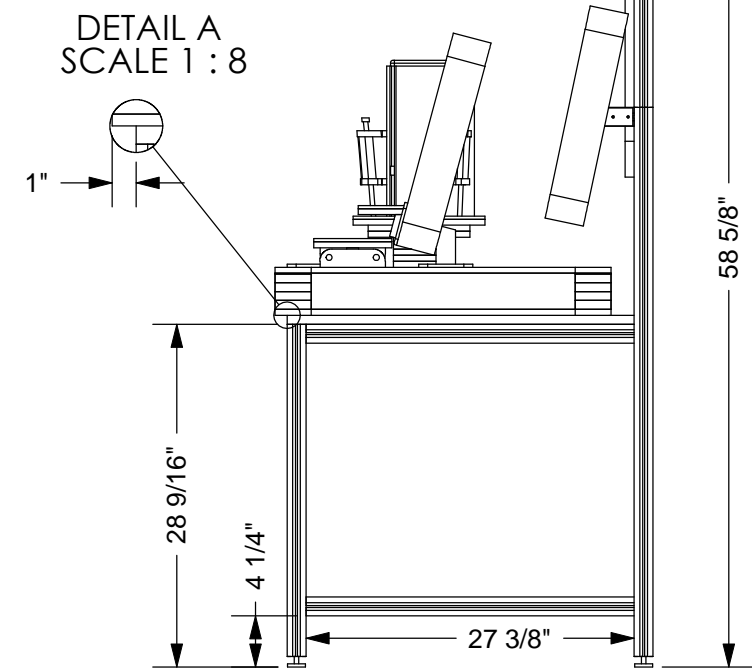
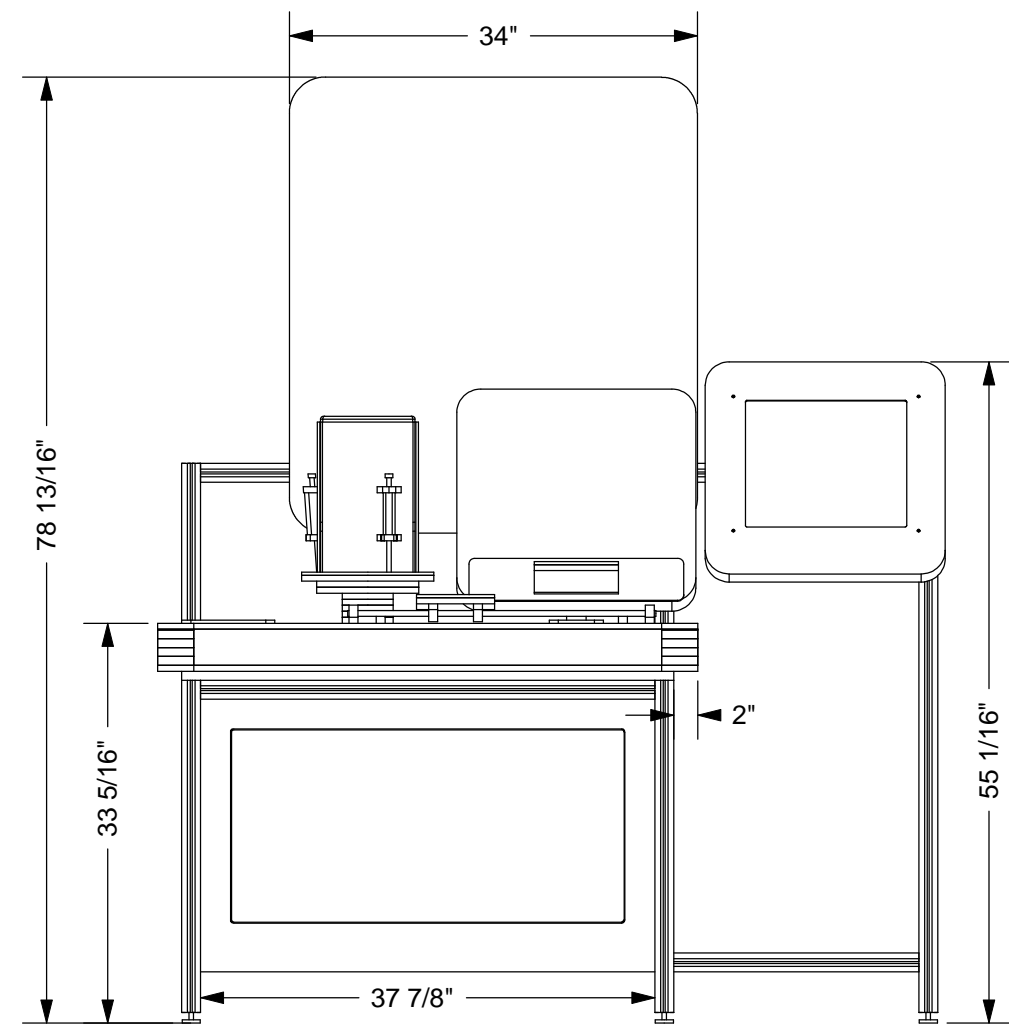
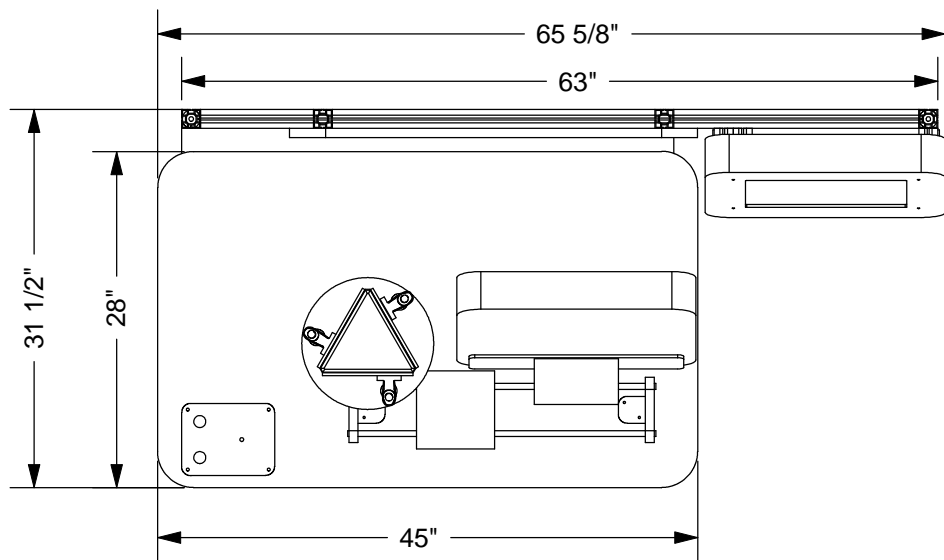
B

B

A

A

REVISIONS				
ZONE	REV.	DESCRIPTION	DATE	APPROVED



OREGON MUSEUM OF SCIENCE AND INDUSTRY
 1945 SE WATER AVENUE
 PORTLAND, OR 97214-3354
 PH: 503.797.4000
 FAX: 503.797.4500
PROPRIETARY AND CONFIDENTIAL
 THE INFORMATION CONTAINED IN THIS DRAWING IS THE SOLE
 PROPERTY OF OMSI. ANY REPRODUCTION IN PART OR AS A
 WHOLE WITHOUT THE WRITTEN PERMISSION OF OMSI IS PROHIBITED.

UNLESS OTHERWISE SPECIFIED:
 DIMENSIONS ARE IN INCHES
 TOLERANCES:
 FRACTIONAL ±1/32"
 ANGULAR: MACH ±0.25° BEND ±1°
 TWO PLACE DECIMAL ±0.03
 THREE PLACE DECIMAL ±0.005

SCALE:
 1:24

SHEET:
 1 OF 1

PROJECT:
 Exhibits
 Exhibits

DRAWING TITLE:
 NANO_1.0&2.0_ASSY

DRAWN BY:
 C BRINTON

DATE:
 7/2/2009

8

7

6

5

4

3

2

1

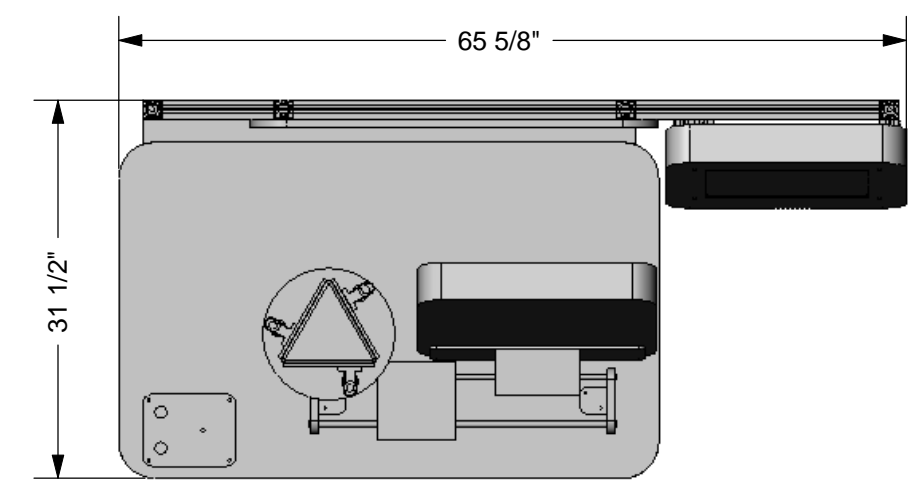
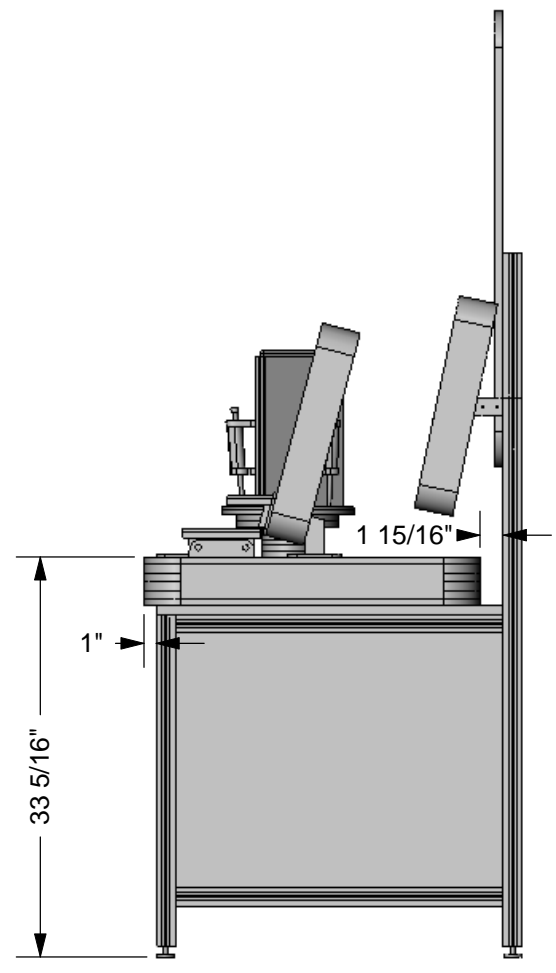
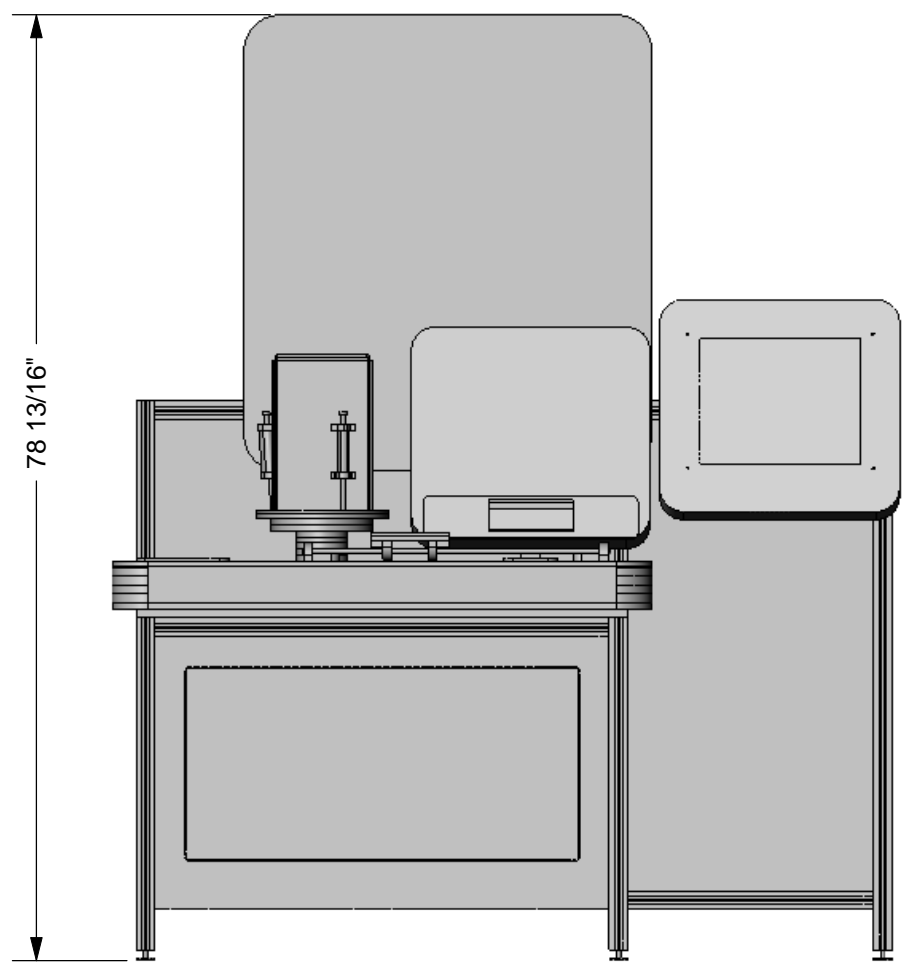
THE INFORMATION CONTAINED IN THIS DRAWING IS THE SOLE
 PROPERTY OF OMSI. ANY REPRODUCTION IN PART OR AS A
 WHOLE WITHOUT THE WRITTEN PERMISSION OF OMSI IS PROHIBITED.
 UNLESS OTHERWISE SPECIFIED:
 DIMENSIONS ARE IN INCHES
 TOLERANCES:
 FRACTIONAL $\pm 1/32"$
 ANGULAR: MACH $\pm 0.25^\circ$ BEND $\pm 1^\circ$
 TWO PLACE DECIMAL ± 0.03
 THREE PLACE DECIMAL ± 0.005


5/18/2009

2 OF 8

D
C
B
A

D
C
B
A



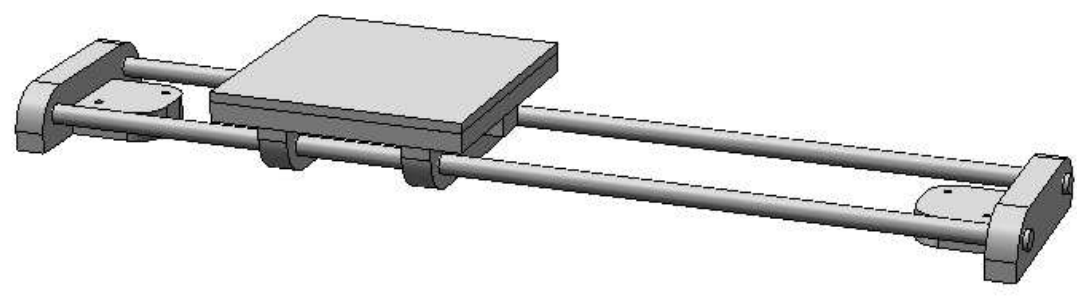
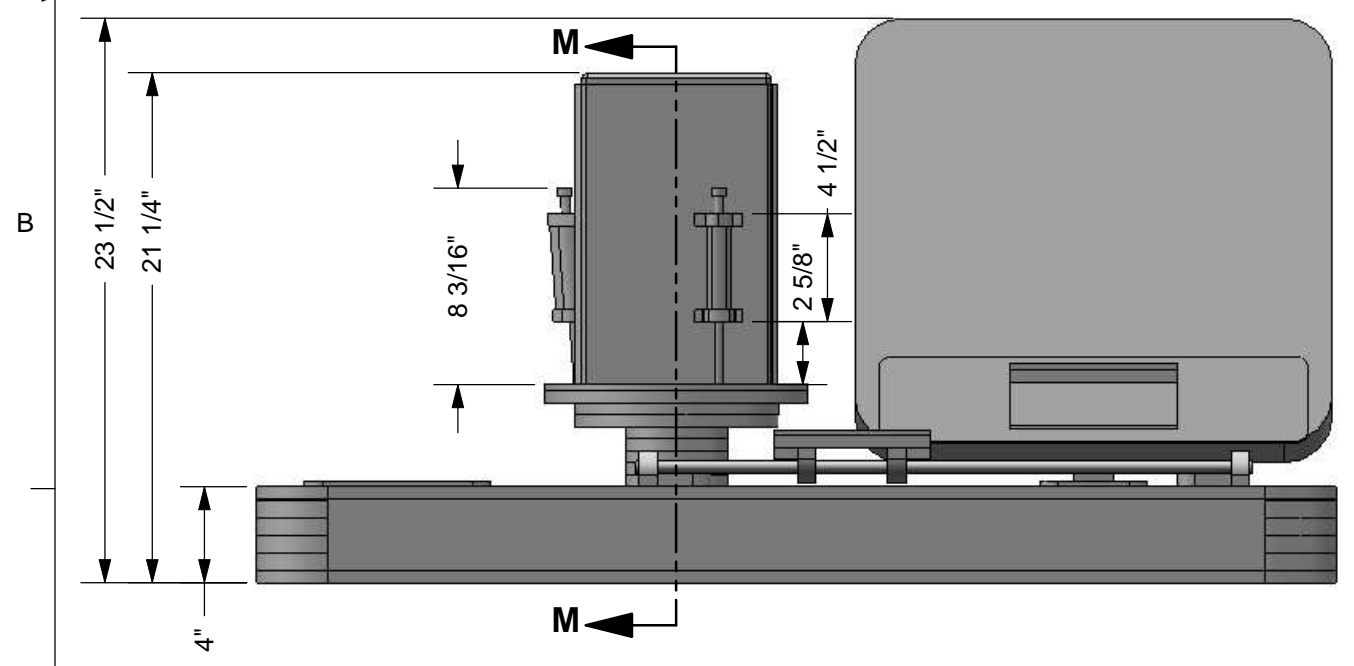
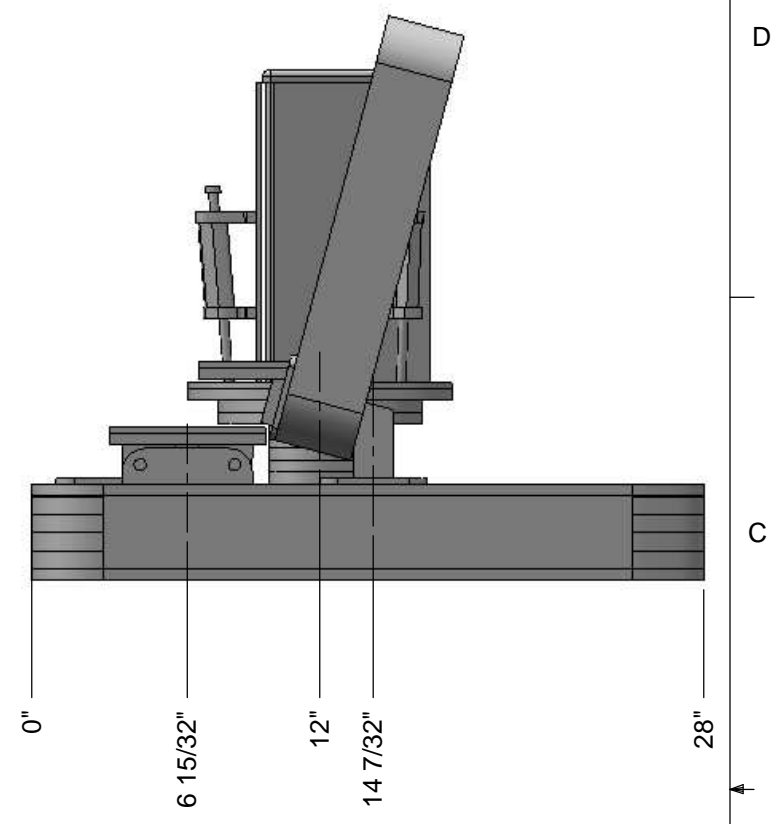
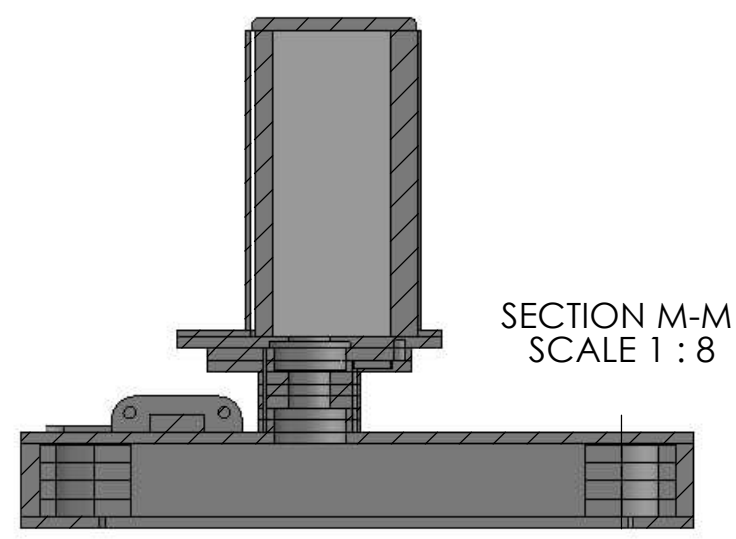
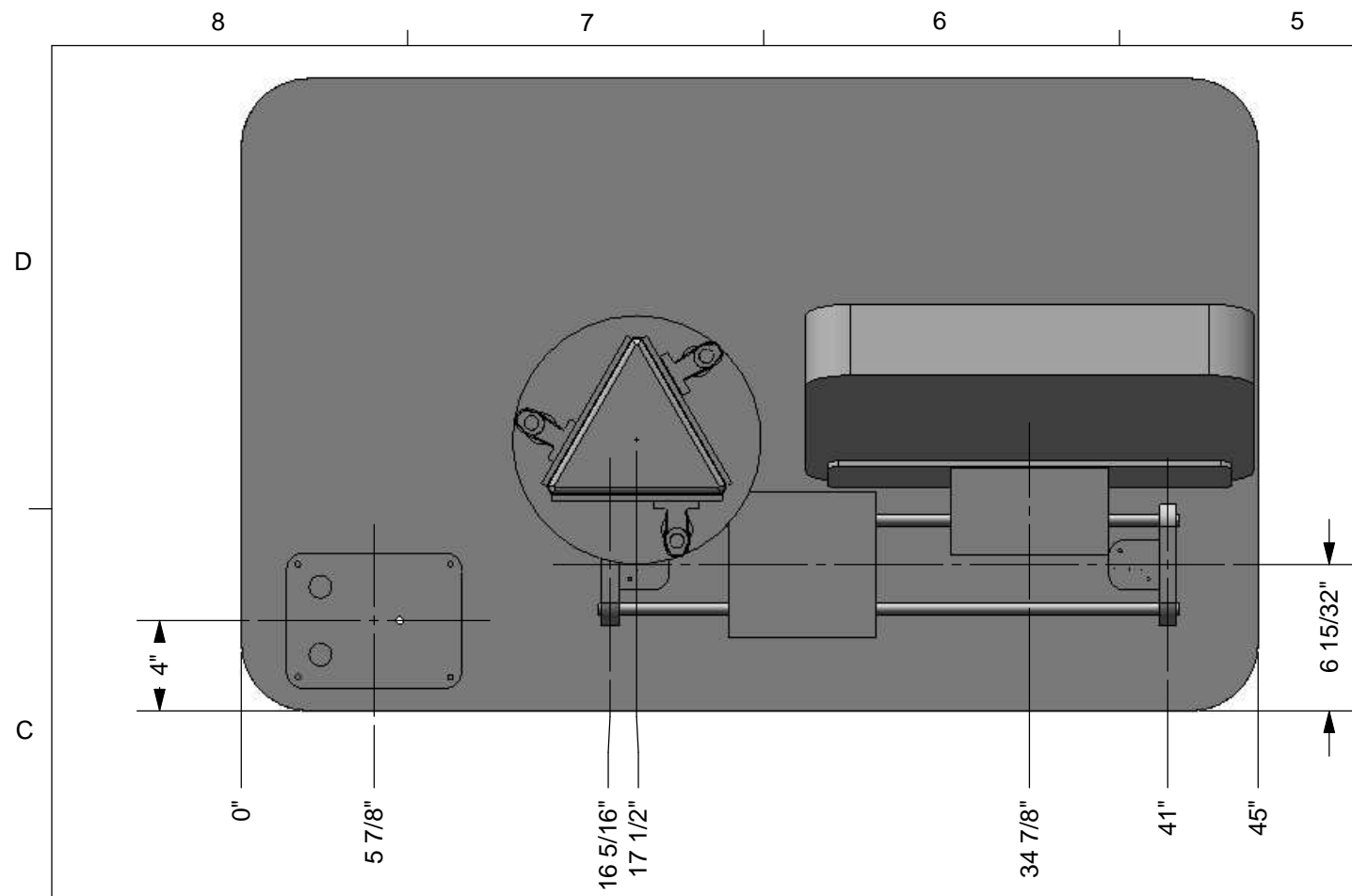
 OREGON MUSEUM OF SCIENCE AND INDUSTRY PROPRIETARY AND CONFIDENTIAL	PROJECT:	Exhibits	
	SCALE:	DRAWING TITLE:	
	SHEET:	DATE:	
	1:48	NANO_1.0&2.0_ASSY	
		DRAWN BY:	
		C BRINTON	


8 7 6 5 4 3 2 1

8 7 6 5 4 3 2 1

THE INFORMATION CONTAINED IN THIS DRAWING IS THE SOLE PROPERTY OF OMSI. ANY REPRODUCTION IN PART OR AS A WHOLE WITHOUT THE WRITTEN PERMISSION OF OMSI IS PROHIBITED. UNLESS OTHERWISE SPECIFIED: DIMENSIONS ARE IN INCHES. TOLERANCES: FRACTIONAL ±1/32" ANGULAR: MACH ±0.25° BEND ±1° TWO PLACE DECIMAL ±0.03 THREE PLACE DECIMAL ±0.005

5/18/2009
3 OF 8



 OREGON MUSEUM OF SCIENCE AND INDUSTRY PROPRIETARY AND CONFIDENTIAL	SCALE: 1:48	PROJECT: Exhibits
	SHEET:	DRAWING TITLE: GREENE CHIP_ASSEMBLY
		DRAWN BY: C BRINTON

THE INFORMATION CONTAINED IN THIS DRAWING IS THE SOLE PROPERTY OF OMSI. ANY REPRODUCTION IN PART OR AS A WHOLE WITHOUT THE WRITTEN PERMISSION OF OMSI IS PROHIBITED. UNLESS OTHERWISE SPECIFIED: DIMENSIONS ARE IN INCHES. TOLERANCES: FRACTIONAL ±1/32" ANGULAR: MACH ±0.25° BEND ±1° TWO PLACE DECIMAL ±0.03 THREE PLACE DECIMAL ±0.005

5/18/2009
4 OF 8

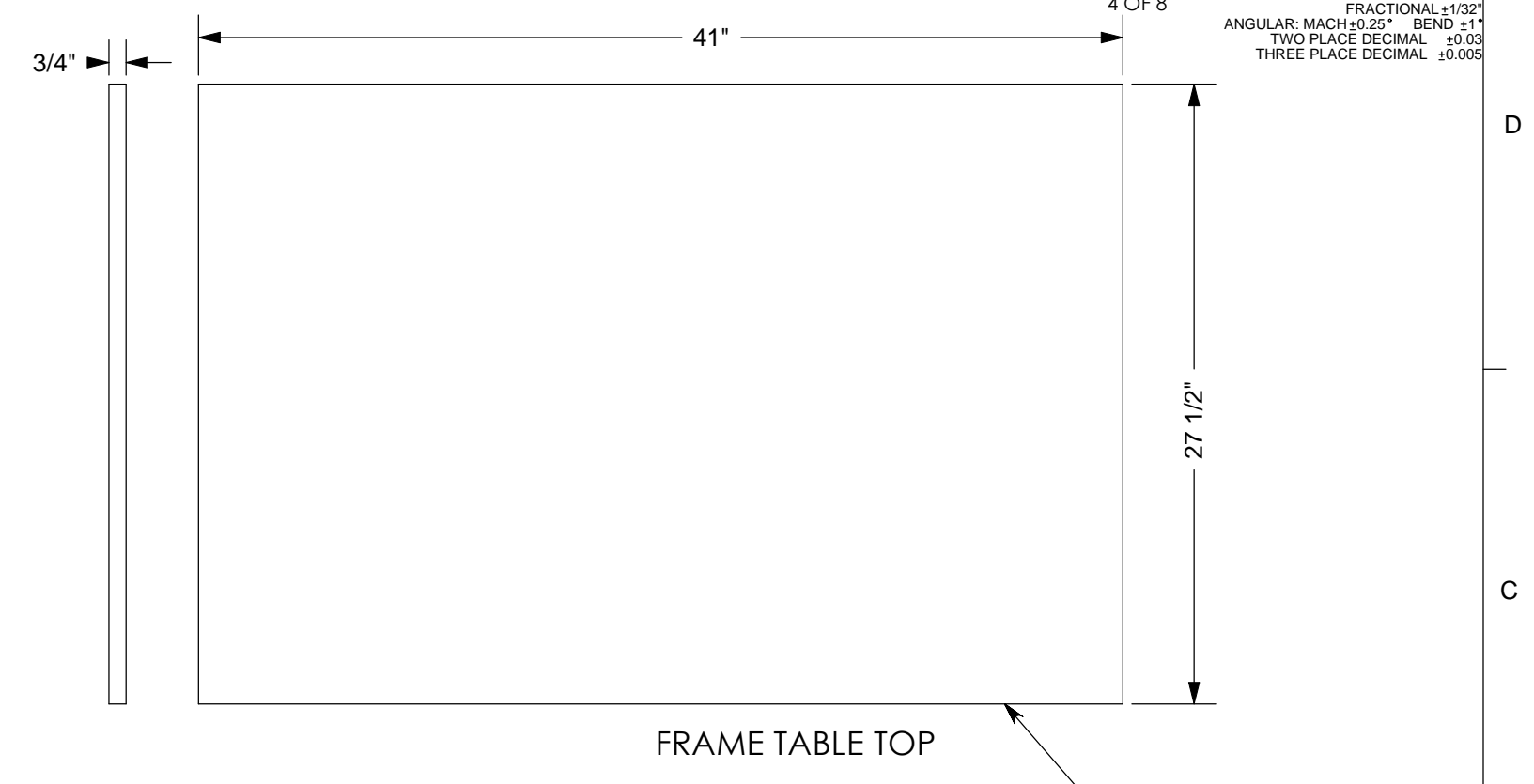
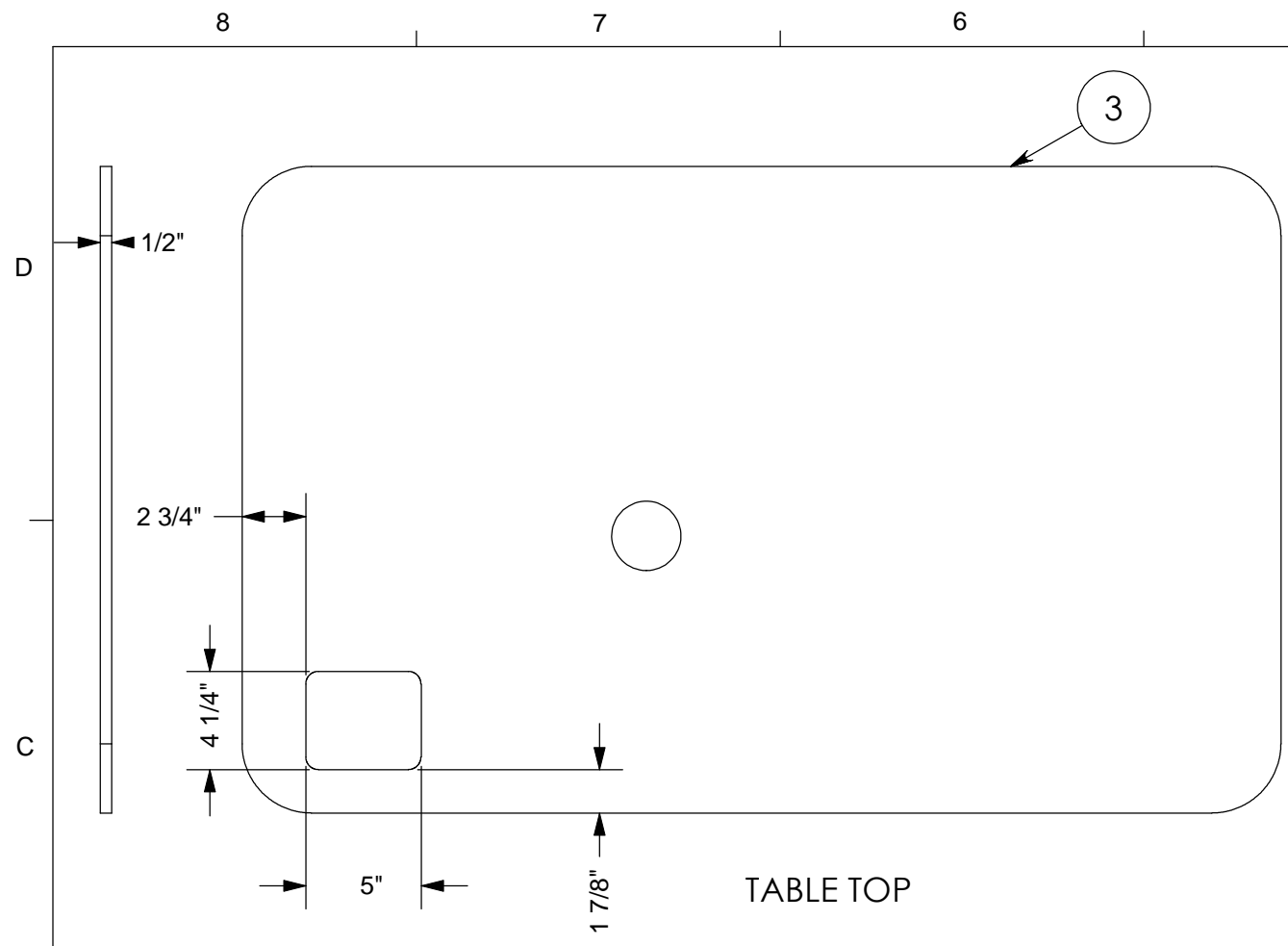
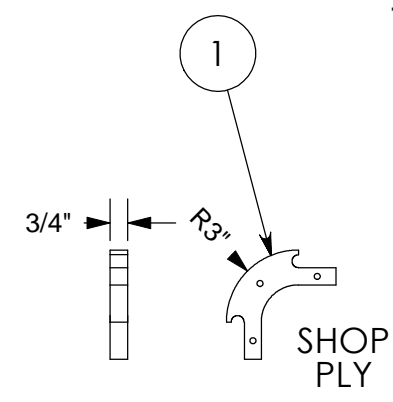
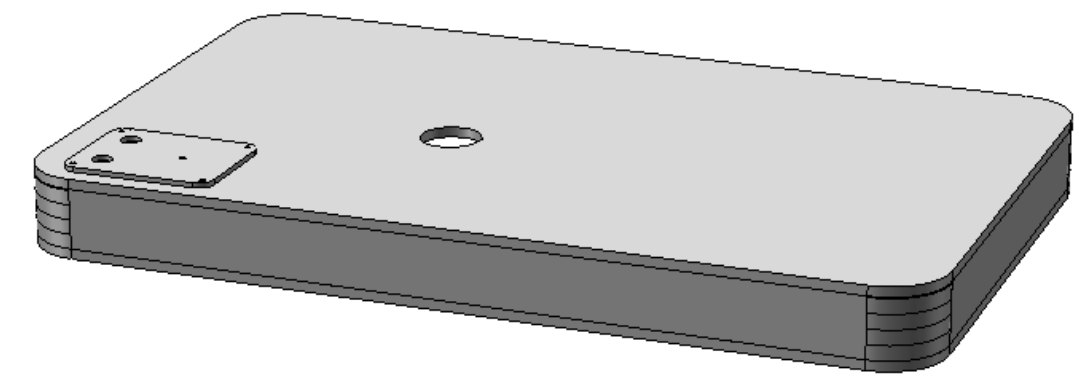
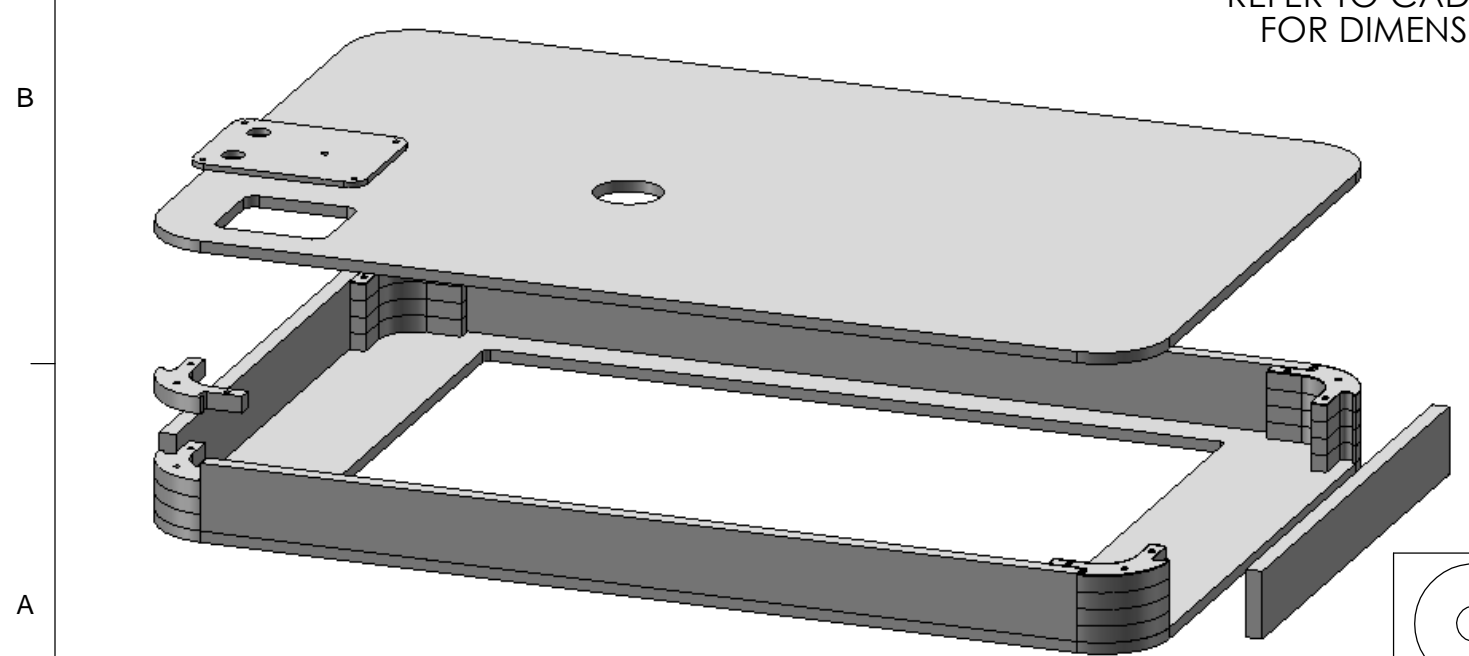

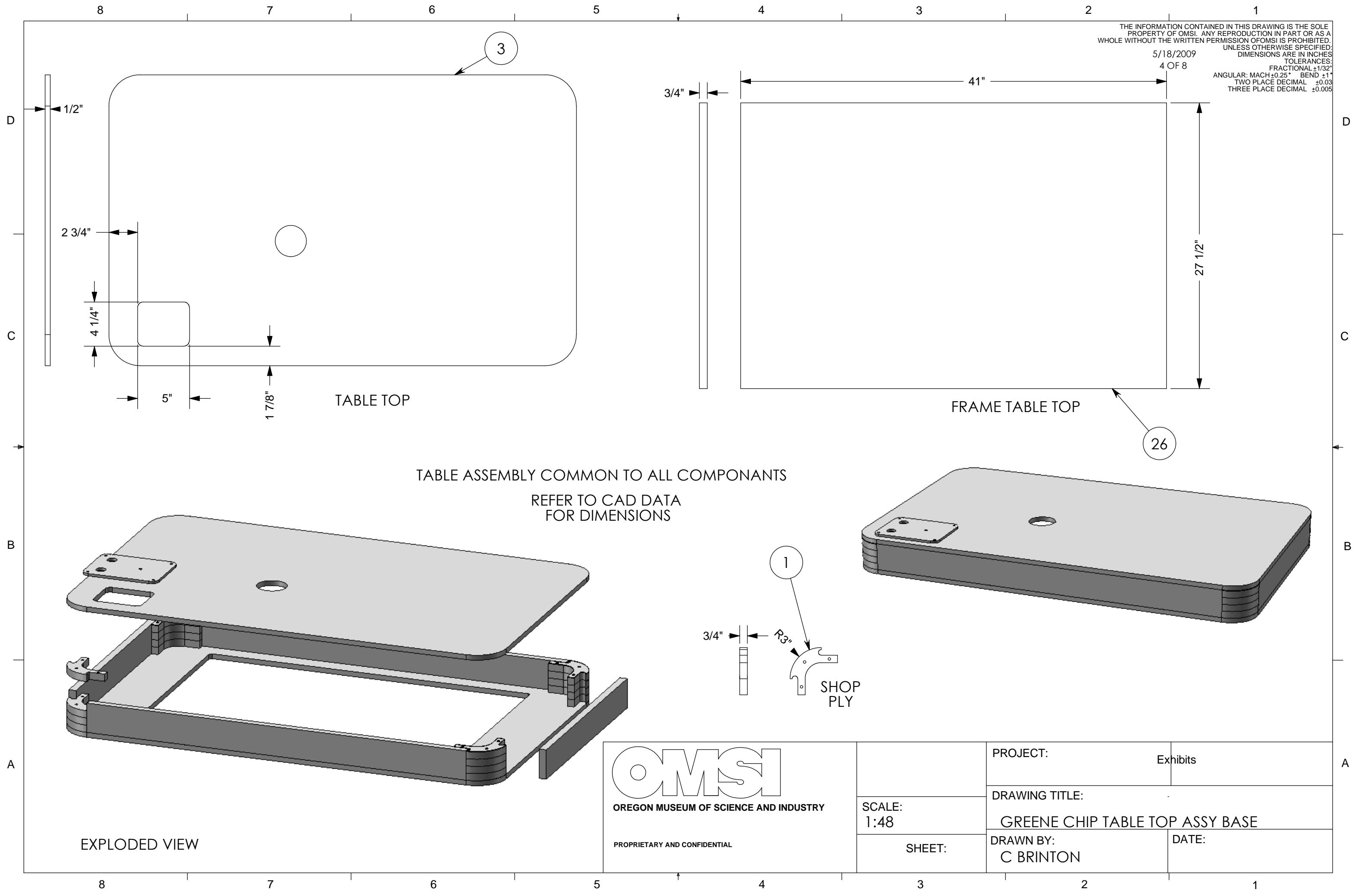


TABLE ASSEMBLY COMMON TO ALL COMPONENTS
REFER TO CAD DATA FOR DIMENSIONS



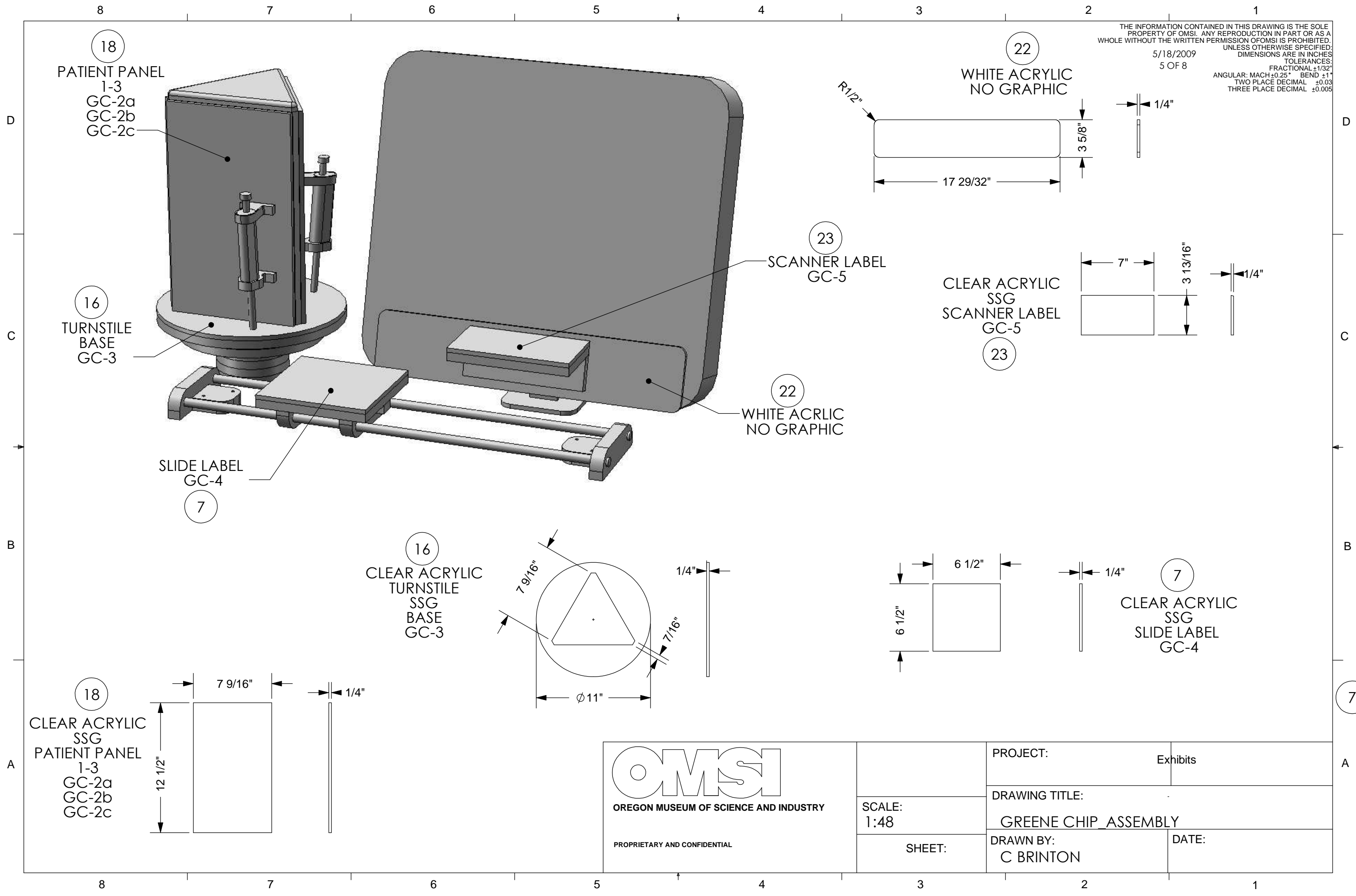
 OREGON MUSEUM OF SCIENCE AND INDUSTRY PROPRIETARY AND CONFIDENTIAL	SCALE: 1:48	PROJECT: Exhibits
	SHEET:	DRAWING TITLE: GREENE CHIP TABLE TOP ASSY BASE
		DRAWN BY: C BRINTON


EXPLODED VIEW



THE INFORMATION CONTAINED IN THIS DRAWING IS THE SOLE PROPERTY OF OMSI. ANY REPRODUCTION IN PART OR AS A WHOLE WITHOUT THE WRITTEN PERMISSION OF OMSI IS PROHIBITED. UNLESS OTHERWISE SPECIFIED: DIMENSIONS ARE IN INCHES TOLERANCES: FRACTIONAL ±1/32" ANGULAR: MACH ±0.25° BEND ±1° TWO PLACE DECIMAL ±0.03 THREE PLACE DECIMAL ±0.005

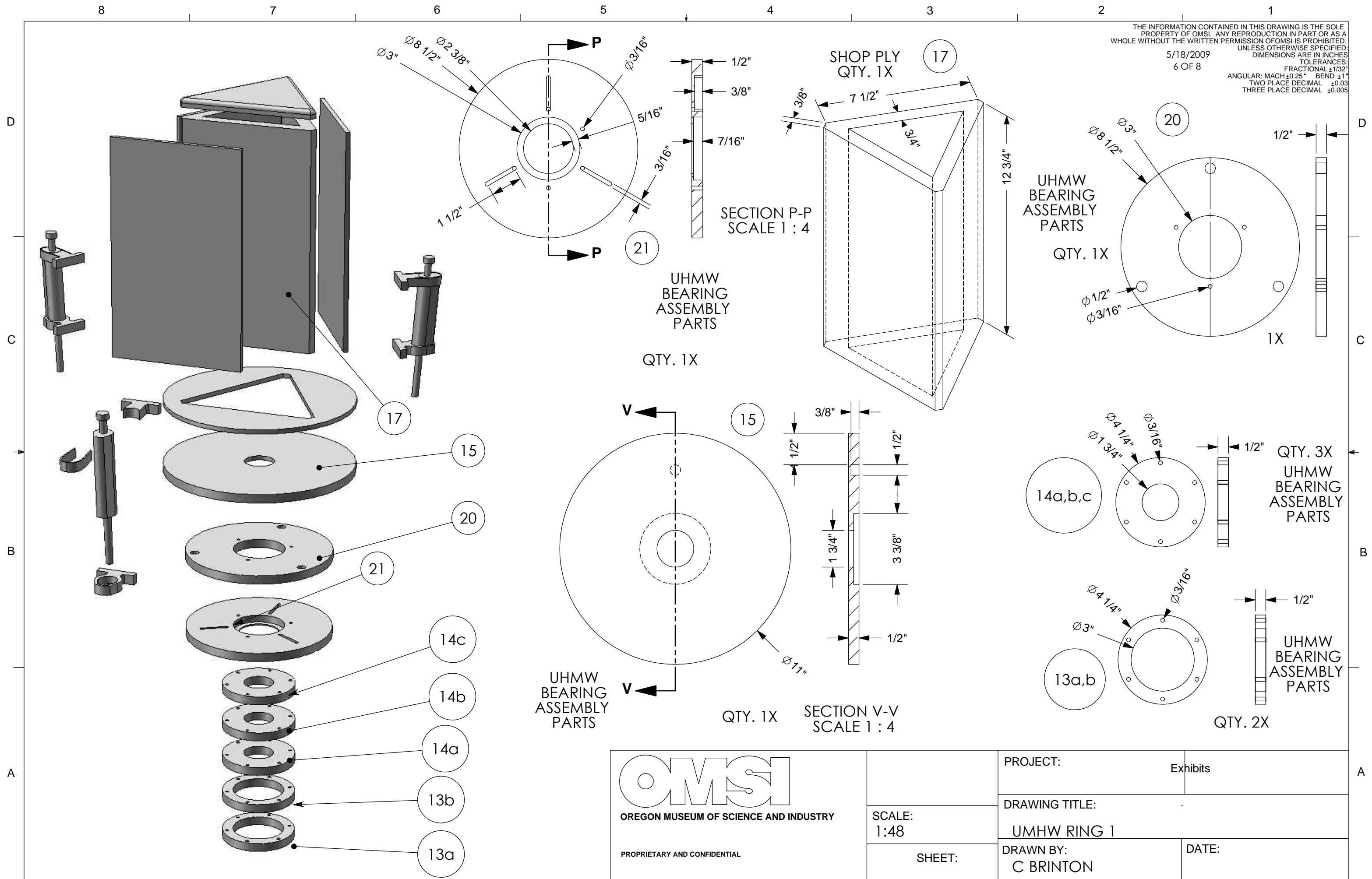
5/18/2009
5 OF 8




 OREGON MUSEUM OF SCIENCE AND INDUSTRY PROPRIETARY AND CONFIDENTIAL	SCALE: 1:48	PROJECT: Exhibits
	SHEET:	DRAWING TITLE: GREENE CHIP ASSEMBLY
		DRAWN BY: C BRINTON

THE INFORMATION CONTAINED IN THIS DRAWING IS THE SOLE PROPERTY OF OMSI. ANY REPRODUCTION IN PART OR AS A WHOLE WITHOUT THE WRITTEN PERMISSION OF OMSI IS PROHIBITED. UNLESS OTHERWISE SPECIFIED: DIMENSIONS ARE IN INCHES. TOLERANCES: FRACTIONAL $\pm 1/32"$ ANGULAR: MACH $\pm 0.25^\circ$ BEND $\pm 1^\circ$ TWO PLACE DECIMAL ± 0.03 THREE PLACE DECIMAL ± 0.005

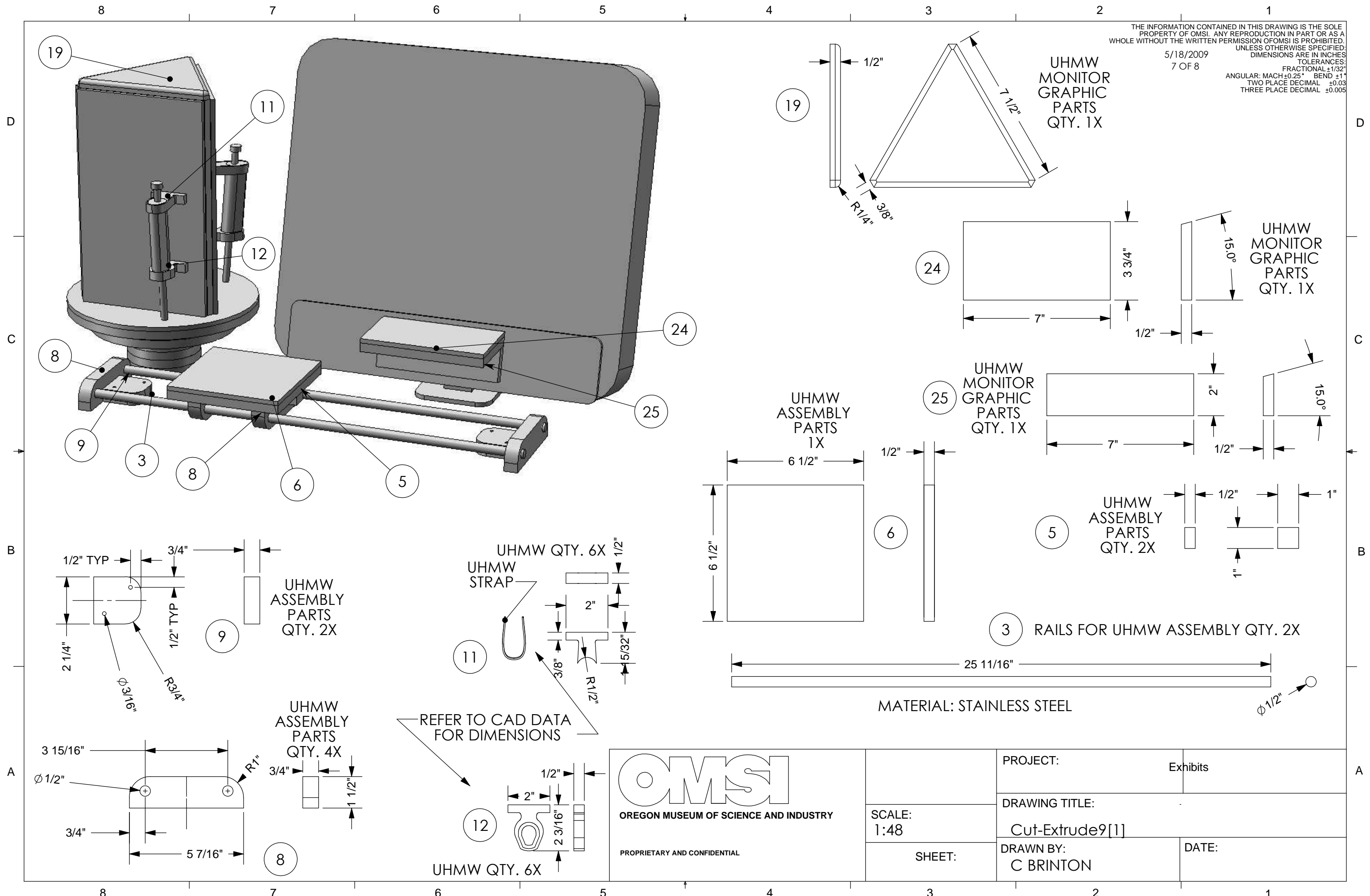
5/18/2009
6 OF 8



 OREGON MUSEUM OF SCIENCE AND INDUSTRY PROPRIETARY AND CONFIDENTIAL	SCALE: 1:48	PROJECT: Exhibits
	SHEET:	DRAWING TITLE: UHMW RING 1
		DRAWN BY: C BRINTON

THE INFORMATION CONTAINED IN THIS DRAWING IS THE SOLE PROPERTY OF OMSI. ANY REPRODUCTION IN PART OR AS A WHOLE WITHOUT THE WRITTEN PERMISSION OF OMSI IS PROHIBITED. UNLESS OTHERWISE SPECIFIED: DIMENSIONS ARE IN INCHES. TOLERANCES: FRACTIONAL: ±1/32" ANGULAR: MACH ±0.25° BEND ±1° TWO PLACE DECIMAL ±0.03 THREE PLACE DECIMAL ±0.005

5/18/2009
7 OF 8



UHMW MONITOR GRAPHIC PARTS QTY. 1X

UHMW MONITOR GRAPHIC PARTS QTY. 1X

UHMW MONITOR GRAPHIC PARTS QTY. 1X

UHMW ASSEMBLY PARTS QTY. 2X

UHMW QTY. 6X
UHMW STRAP

UHMW ASSEMBLY PARTS QTY. 4X

UHMW QTY. 6X

UHMW ASSEMBLY PARTS 1X

UHMW ASSEMBLY PARTS QTY. 2X

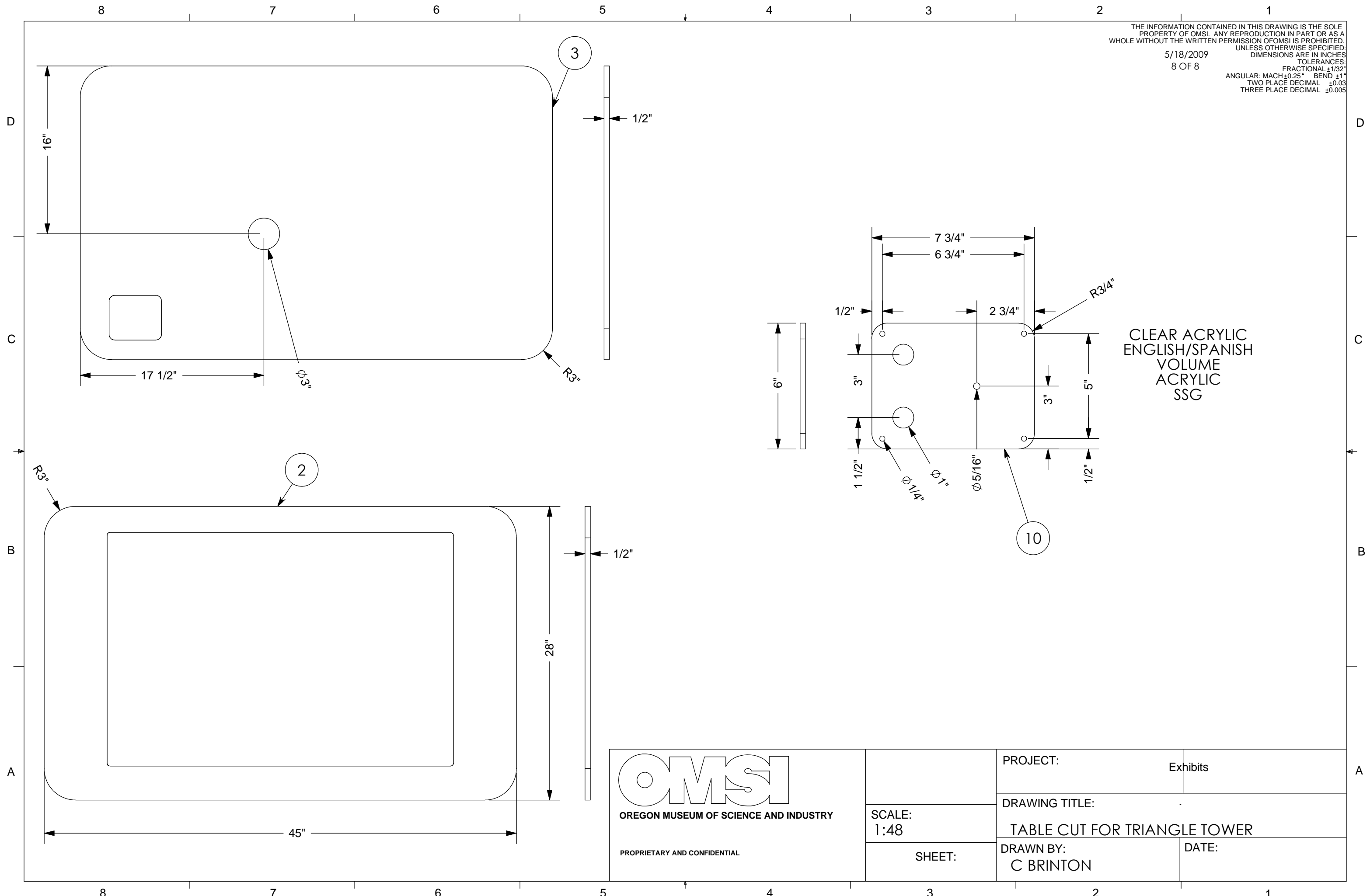
RAILS FOR UHMW ASSEMBLY QTY. 2X


MATERIAL: STAINLESS STEEL

OMSI
OREGON MUSEUM OF SCIENCE AND INDUSTRY
PROPRIETARY AND CONFIDENTIAL

PROJECT:	Exhibits
DRAWING TITLE:	Cut-Extrude9[1]
DRAWN BY:	C BRINTON
SCALE:	1:48
SHEET:	DATE:

THE INFORMATION CONTAINED IN THIS DRAWING IS THE SOLE
 PROPERTY OF OMSI. ANY REPRODUCTION IN PART OR AS A
 WHOLE WITHOUT THE WRITTEN PERMISSION OF OMSI IS PROHIBITED.
 5/18/2009
 8 OF 8
 UNLESS OTHERWISE SPECIFIED:
 DIMENSIONS ARE IN INCHES
 TOLERANCES:
 FRACTIONAL $\pm 1/32"$
 ANGULAR: MACH $\pm 0.25^\circ$ BEND $\pm 1^\circ$
 TWO PLACE DECIMAL ± 0.03
 THREE PLACE DECIMAL ± 0.005



 OREGON MUSEUM OF SCIENCE AND INDUSTRY PROPRIETARY AND CONFIDENTIAL	PROJECT:	Exhibits
	SCALE:	1:48
	SHEET:	
DRAWING TITLE:		TABLE CUT FOR TRIANGLE TOWER
DRAWN BY:		C BRINTON
DATE:		