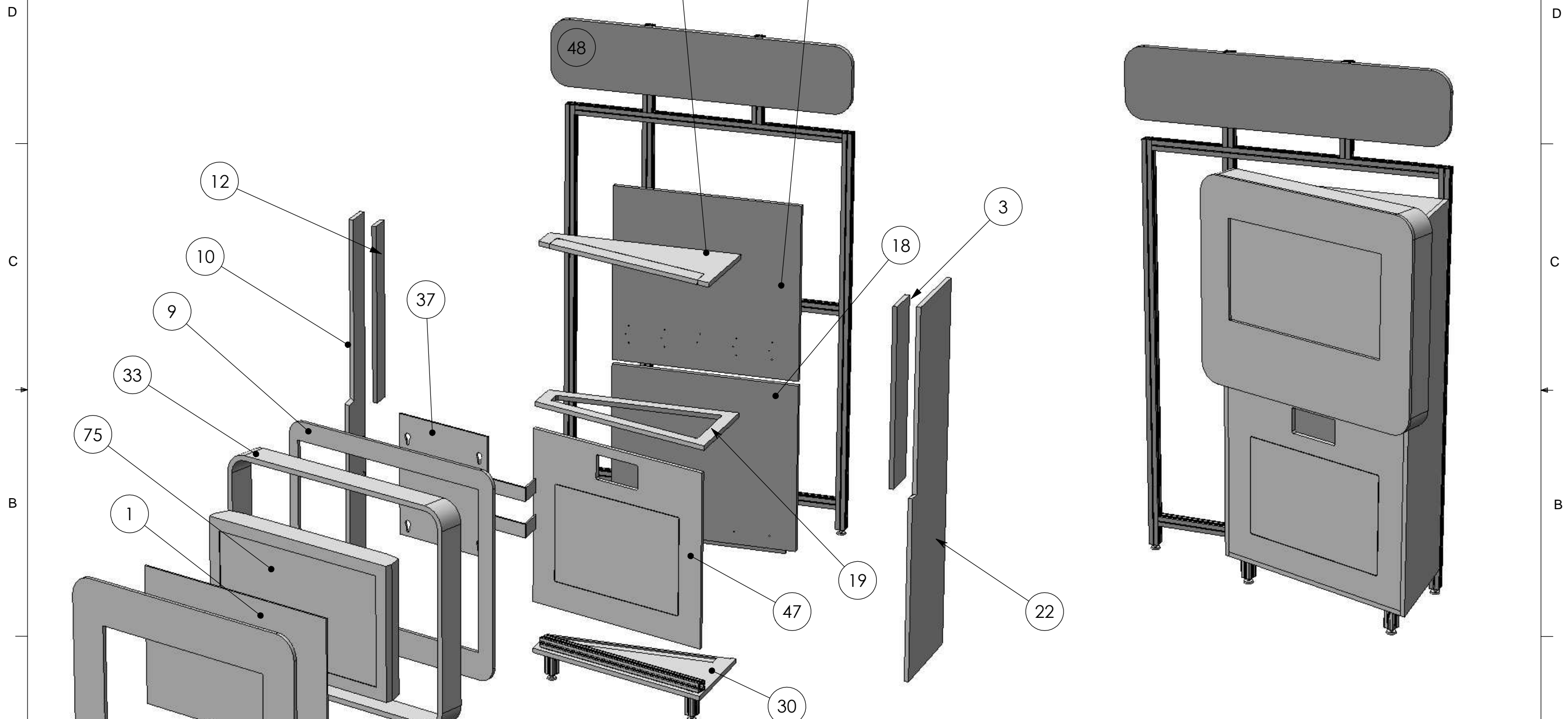


REVISIONS

ZONE	REV.	DESCRIPTION	DATE	APPROVED



**OMSI**  
**OREGON MUSEUM OF SCIENCE AND INDUSTRY**  
 1945 SE WATER AVENUE  
 PORTLAND, OR 97214-3354  
 PH: 503.797.4000  
 FAX: 503.797.4500  
**PROPRIETARY AND CONFIDENTIAL**  
 THE INFORMATION CONTAINED IN THIS DRAWING IS THE SOLE  
 PROPERTY OF OMSI. ANY REPRODUCTION IN PART OR AS A  
 WHOLE WITHOUT THE WRITTEN PERMISSION OF OMSI IS PROHIBITED.

UNLESS OTHERWISE SPECIFIED:  
 DIMENSIONS ARE IN INCHES  
 TOLERANCES:  
 FRACTIONAL: ±1/32"  
 ANGULAR: MACH ±0.25° BEND ±1°  
 TWO PLACE DECIMAL ±0.03  
 THREE PLACE DECIMAL ±0.005

SCALE:  
 1:24

SHEET:  
 1 OF 8

PROJECT:  
 Exhibits  
 Exhibits

DRAWING TITLE:  
 SPLIT BILLION&INTRO

DRAWN BY:  
 C BRINTON

DATE:  
 7/6/2009

8 7 6 5 4 3 2 1

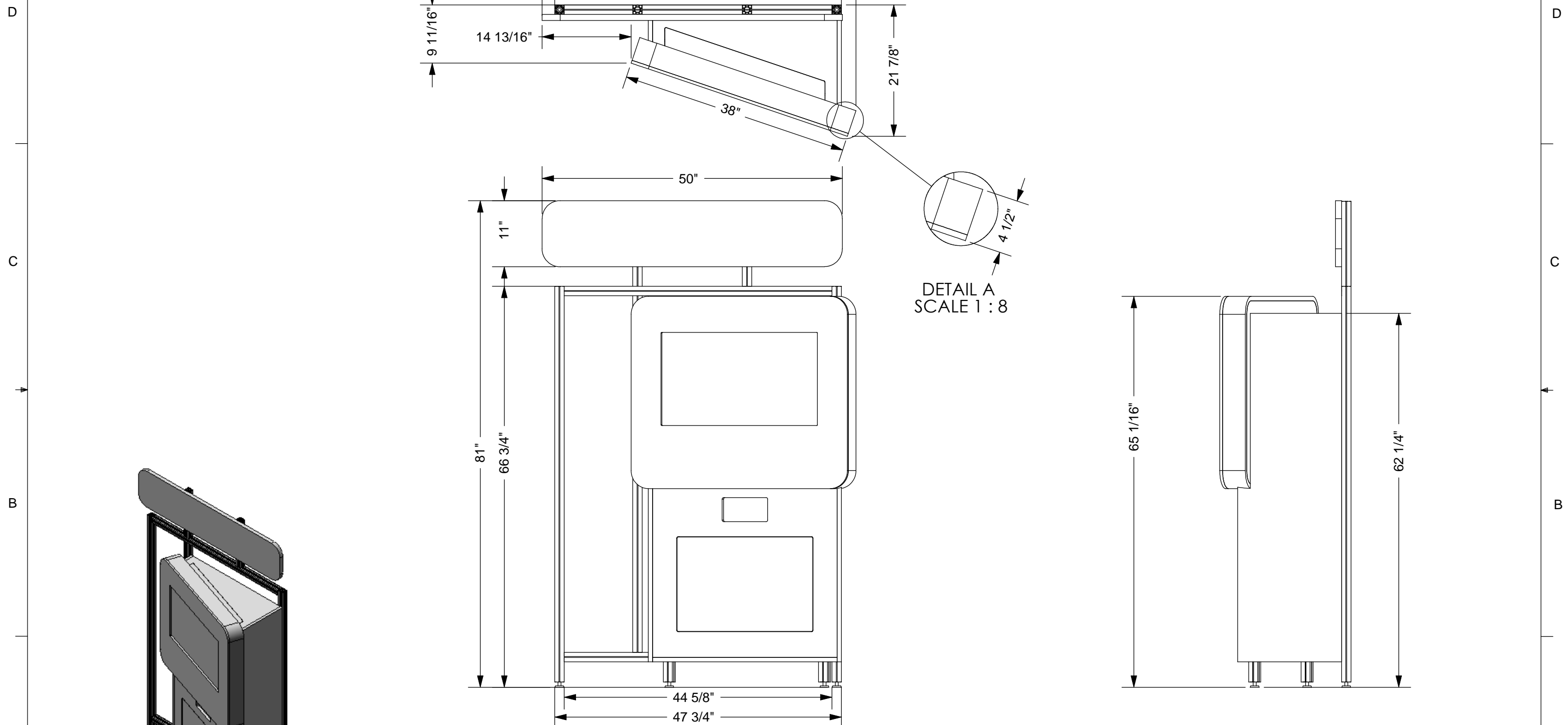
D  
C  
B  
A

D  
C  
B  
A

8 7 6 5 4 3 2 1

8 7 6 5 4 3 2 1

REVISIONS				
ZONE	REV.	DESCRIPTION	DATE	APPROVED



A

**OMSI**  
**OREGON MUSEUM OF SCIENCE AND INDUSTRY**  
 1945 SE WATER AVENUE  
 PORTLAND, OR 97214-3354  
 PH: 503.797.4000  
 FAX: 503.797.4500  
**PROPRIETARY AND CONFIDENTIAL**  
 THE INFORMATION CONTAINED IN THIS DRAWING IS THE SOLE PROPERTY OF OMSI. ANY REPRODUCTION IN PART OR AS A WHOLE WITHOUT THE WRITTEN PERMISSION OF OMSI IS PROHIBITED.

UNLESS OTHERWISE SPECIFIED:  
 DIMENSIONS ARE IN INCHES  
 TOLERANCES:  
 FRACTIONAL: ±1/32"  
 ANGULAR: MACH ±0.25° BEND ±1°  
 TWO PLACE DECIMAL ±0.03  
 THREE PLACE DECIMAL ±0.005

SCALE:  
 1:24

SHEET:  
 1 OF 1

PROJECT:  
 Exhibits Exhibits

DRAWING TITLE:  
 SPLIT BILLION&INTRO

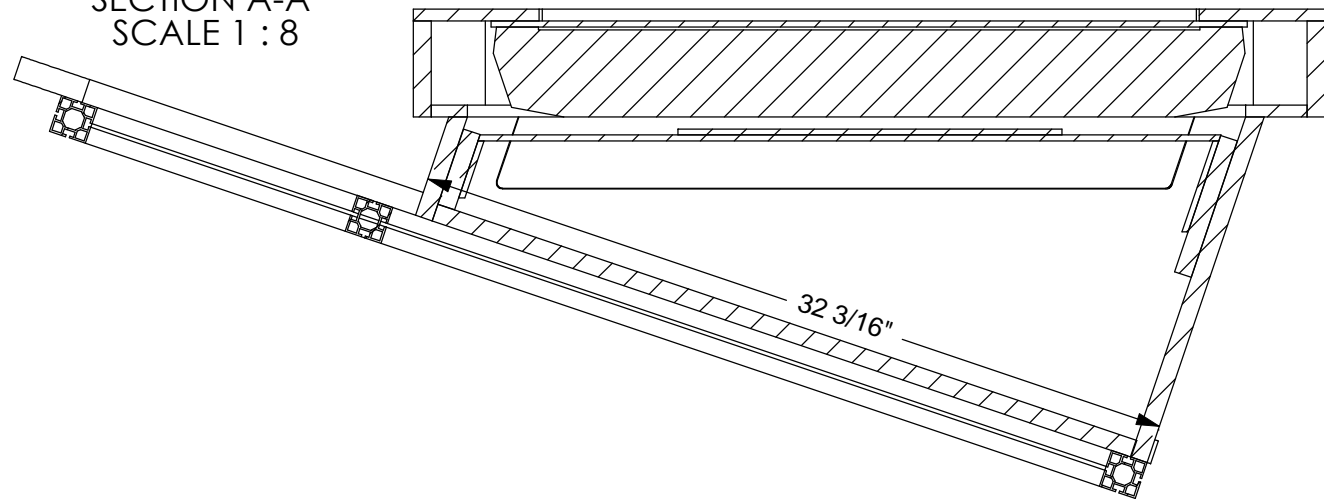
DRAWN BY:  
 C BRINTON

DATE:  
 7/2/2009

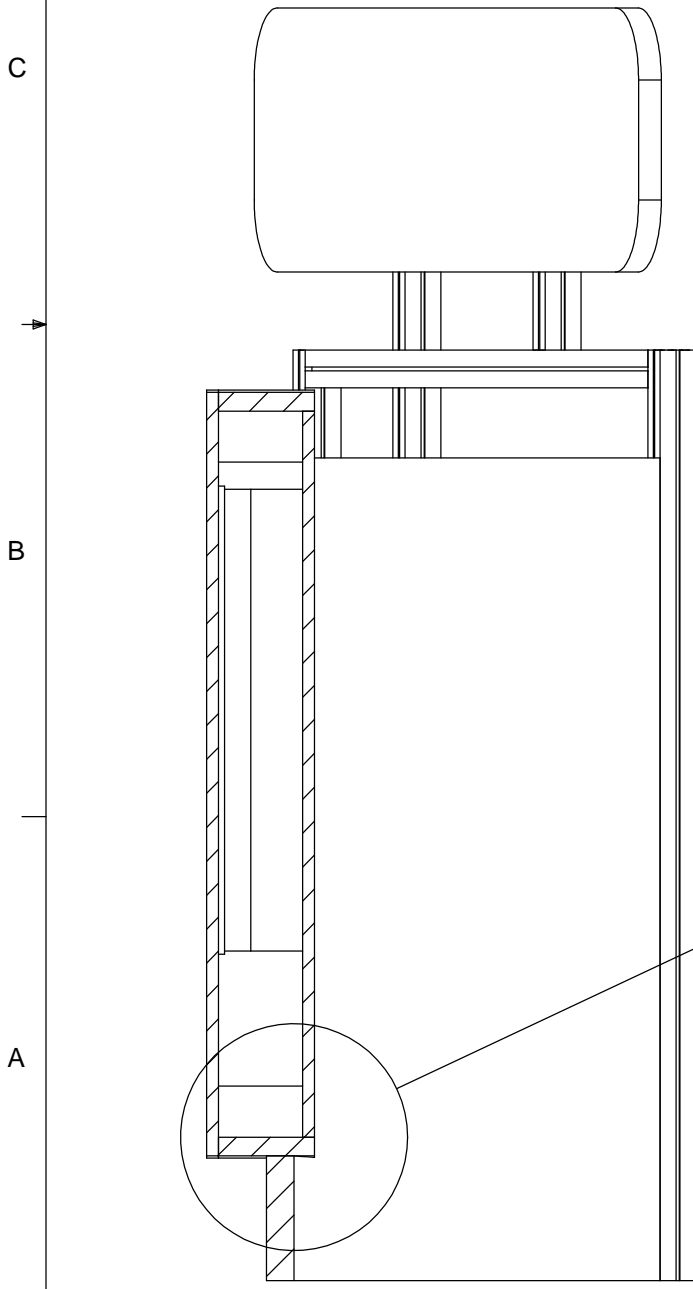
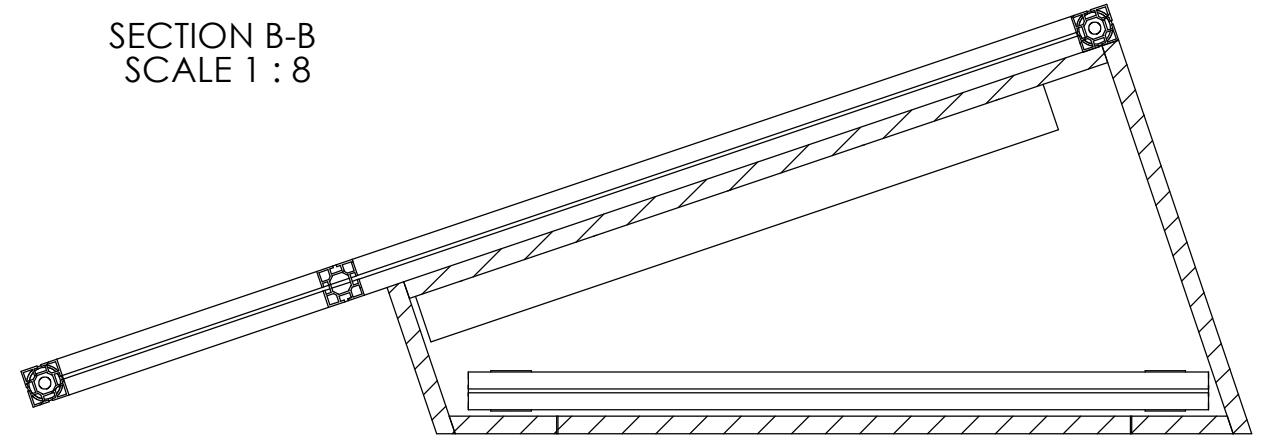
8 7 6 5 4 3 2 1

REVISIONS				
ZONE	REV.	DESCRIPTION	DATE	APPROVED

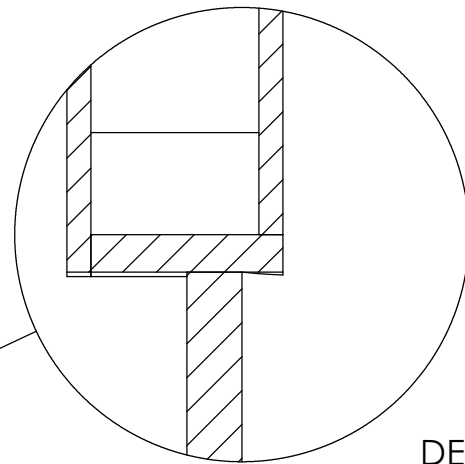
SECTION A-A  
SCALE 1 : 8



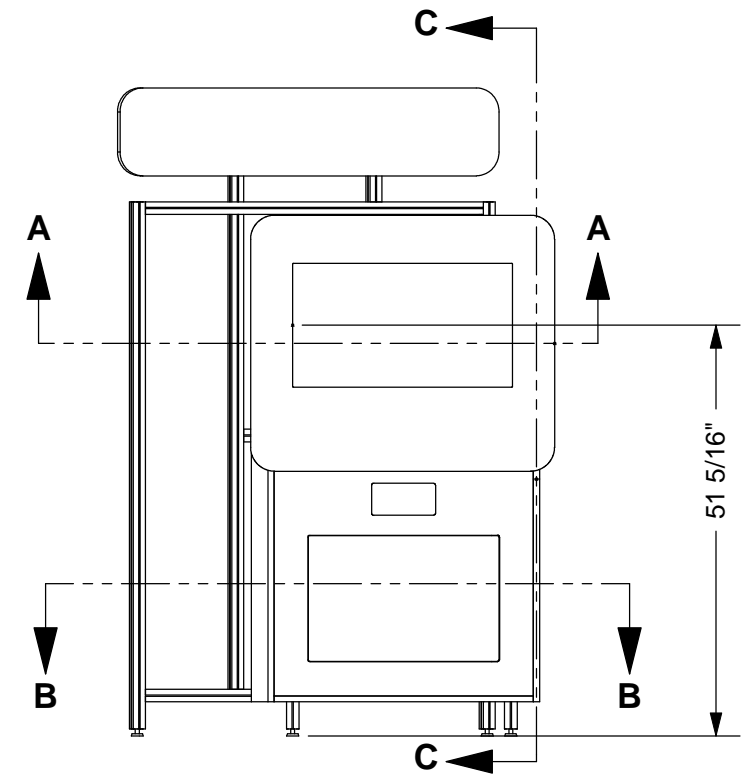
SECTION B-B  
SCALE 1 : 8



SECTION C-C  
SCALE 1 : 8



DETAIL D  
SCALE 1 : 4



**OMSI**  
**OREGON MUSEUM OF SCIENCE AND INDUSTRY**  
 1945 SE WATER AVENUE  
 PORTLAND, OR 97214-3354  
 PH: 503.797.4000  
 FAX: 503.797.4500  
**PROPRIETARY AND CONFIDENTIAL**  
 THE INFORMATION CONTAINED IN THIS DRAWING IS THE SOLE  
 PROPERTY OF OMSI. ANY REPRODUCTION IN PART OR AS A  
 WHOLE WITHOUT THE WRITTEN PERMISSION OF OMSI IS PROHIBITED.

UNLESS OTHERWISE SPECIFIED:  
 DIMENSIONS ARE IN INCHES  
 TOLERANCES:  
 FRACTIONAL: ±1/32"  
 ANGULAR: MACH ±0.25° BEND ±1°  
 TWO PLACE DECIMAL ±0.03  
 THREE PLACE DECIMAL ±0.005

SCALE:  
 1:24

SHEET:  
 2 OF 8

PROJECT:

DRAWING TITLE:  
 SPLIT BILLION&INTRO

DRAWN BY:

DIVISION-SOURCE:

DATE:  
 7/6/2009

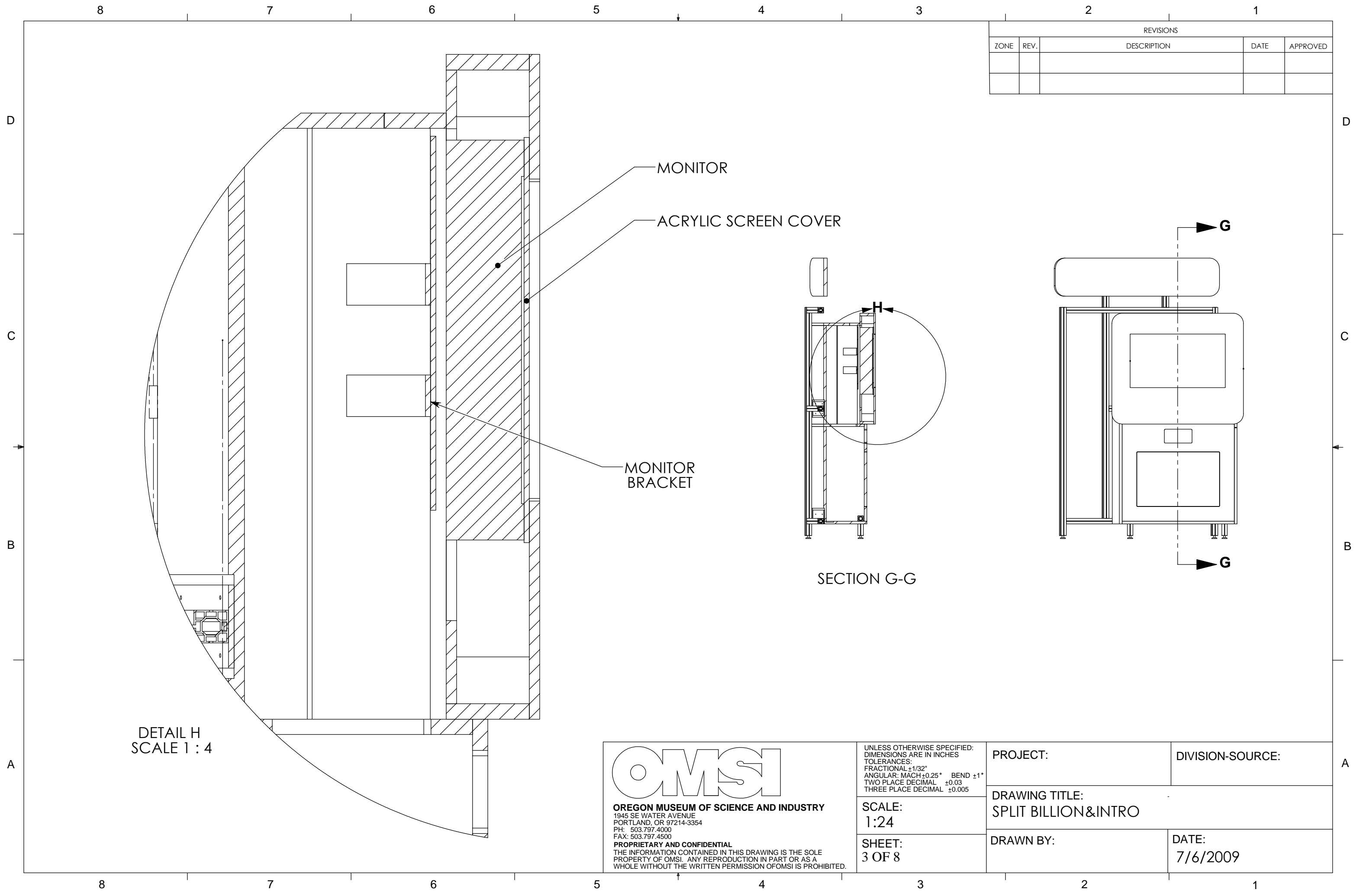
8 7 6 5 4 3 2 1

D  
C  
B  
A

D  
C  
B  
A

8 7 6 5 4 3 2 1

REVISIONS				
ZONE	REV.	DESCRIPTION	DATE	APPROVED



DETAIL H  
SCALE 1 : 4

**OMSI**  
**OREGON MUSEUM OF SCIENCE AND INDUSTRY**  
 1945 SE WATER AVENUE  
 PORTLAND, OR 97214-3354  
 PH: 503.797.4000  
 FAX: 503.797.4500  
**PROPRIETARY AND CONFIDENTIAL**  
 THE INFORMATION CONTAINED IN THIS DRAWING IS THE SOLE  
 PROPERTY OF OMSI. ANY REPRODUCTION IN PART OR AS A  
 WHOLE WITHOUT THE WRITTEN PERMISSION OF OMSI IS PROHIBITED.

UNLESS OTHERWISE SPECIFIED:  
 DIMENSIONS ARE IN INCHES  
 TOLERANCES:  
 FRACTIONAL  $\pm 1/32"$   
 ANGULAR: MACH  $\pm 0.25^\circ$  BEND  $\pm 1^\circ$   
 TWO PLACE DECIMAL  $\pm 0.03$   
 THREE PLACE DECIMAL  $\pm 0.005$

SCALE:  
1:24

SHEET:  
3 OF 8

PROJECT:

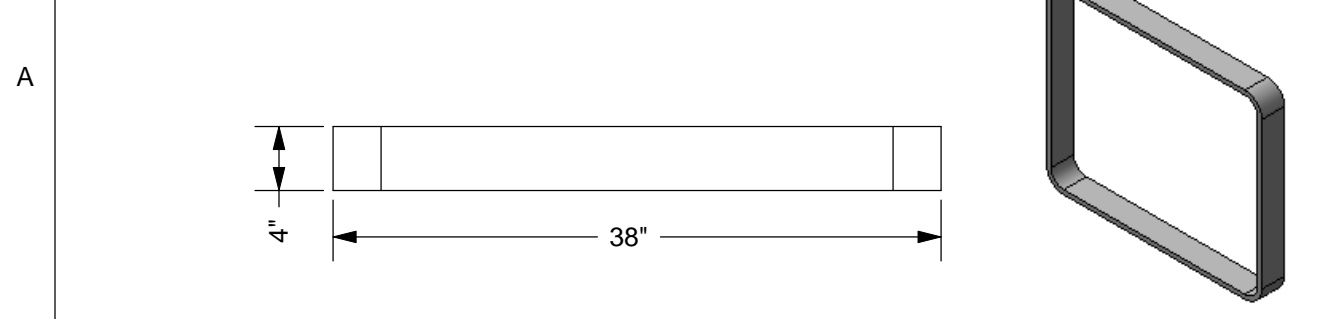
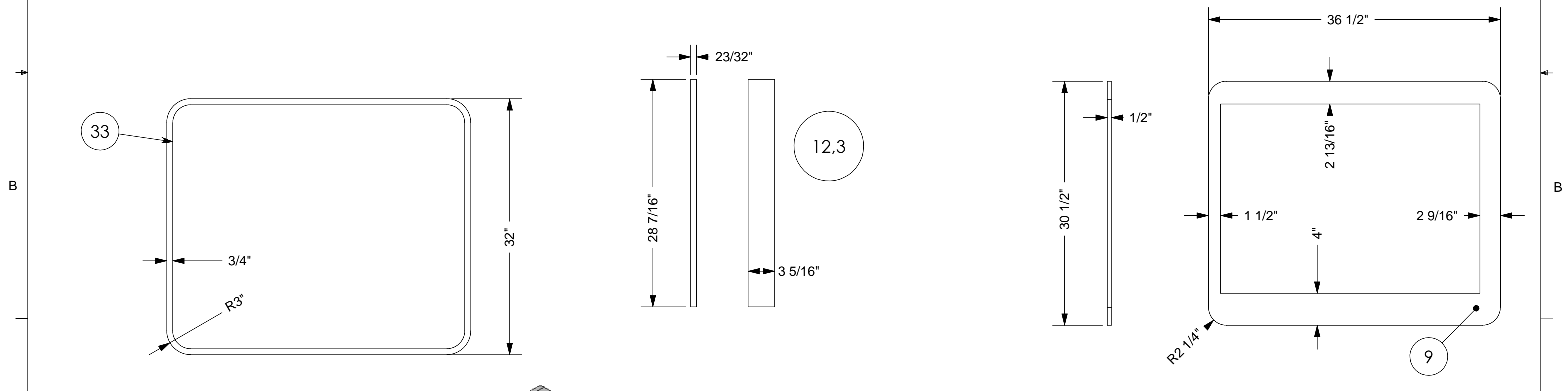
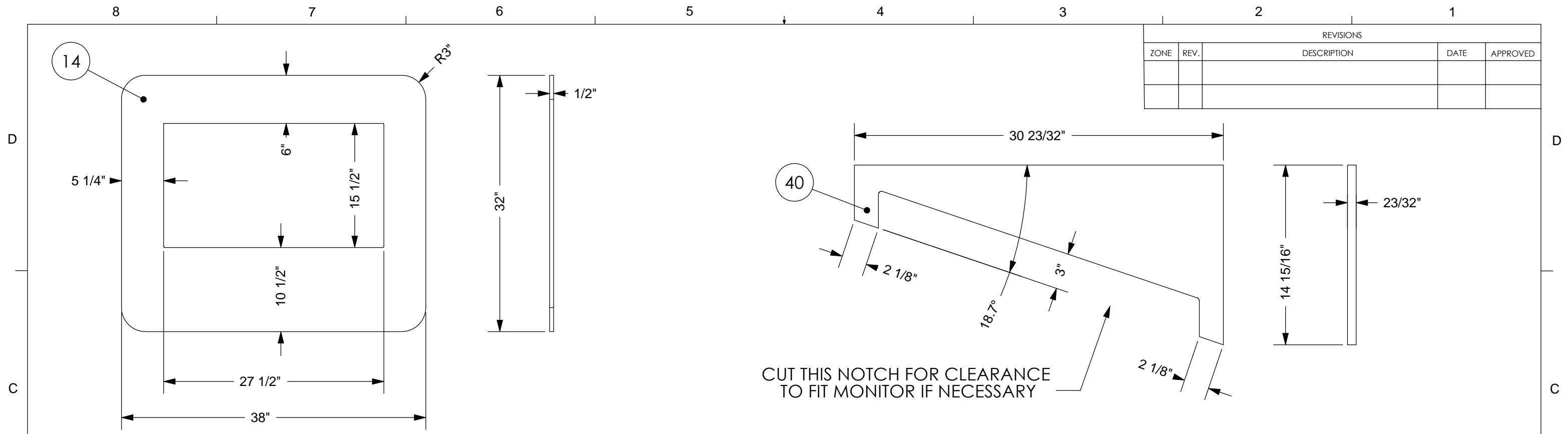
DIVISION-SOURCE:

DRAWING TITLE:  
SPLIT BILLION&INTRO

DRAWN BY:

DATE:  
7/6/2009

REVISIONS				
ZONE	REV.	DESCRIPTION	DATE	APPROVED



**OMSI**  
**OREGON MUSEUM OF SCIENCE AND INDUSTRY**  
 1945 SE WATER AVENUE  
 PORTLAND, OR 97214-3354  
 PH: 503.797.4000  
 FAX: 503.797.4500  
**PROPRIETARY AND CONFIDENTIAL**  
 THE INFORMATION CONTAINED IN THIS DRAWING IS THE SOLE PROPERTY OF OMSI. ANY REPRODUCTION IN PART OR AS A WHOLE WITHOUT THE WRITTEN PERMISSION OF OMSI IS PROHIBITED.

UNLESS OTHERWISE SPECIFIED:  
 DIMENSIONS ARE IN INCHES  
 TOLERANCES:  
 FRACTIONAL ±1/32"  
 ANGULAR: MACH ±0.25° BEND ±1°  
 TWO PLACE DECIMAL ±0.03  
 THREE PLACE DECIMAL ±0.005

SCALE:  
 1:24

SHEET:  
 4 OF 8

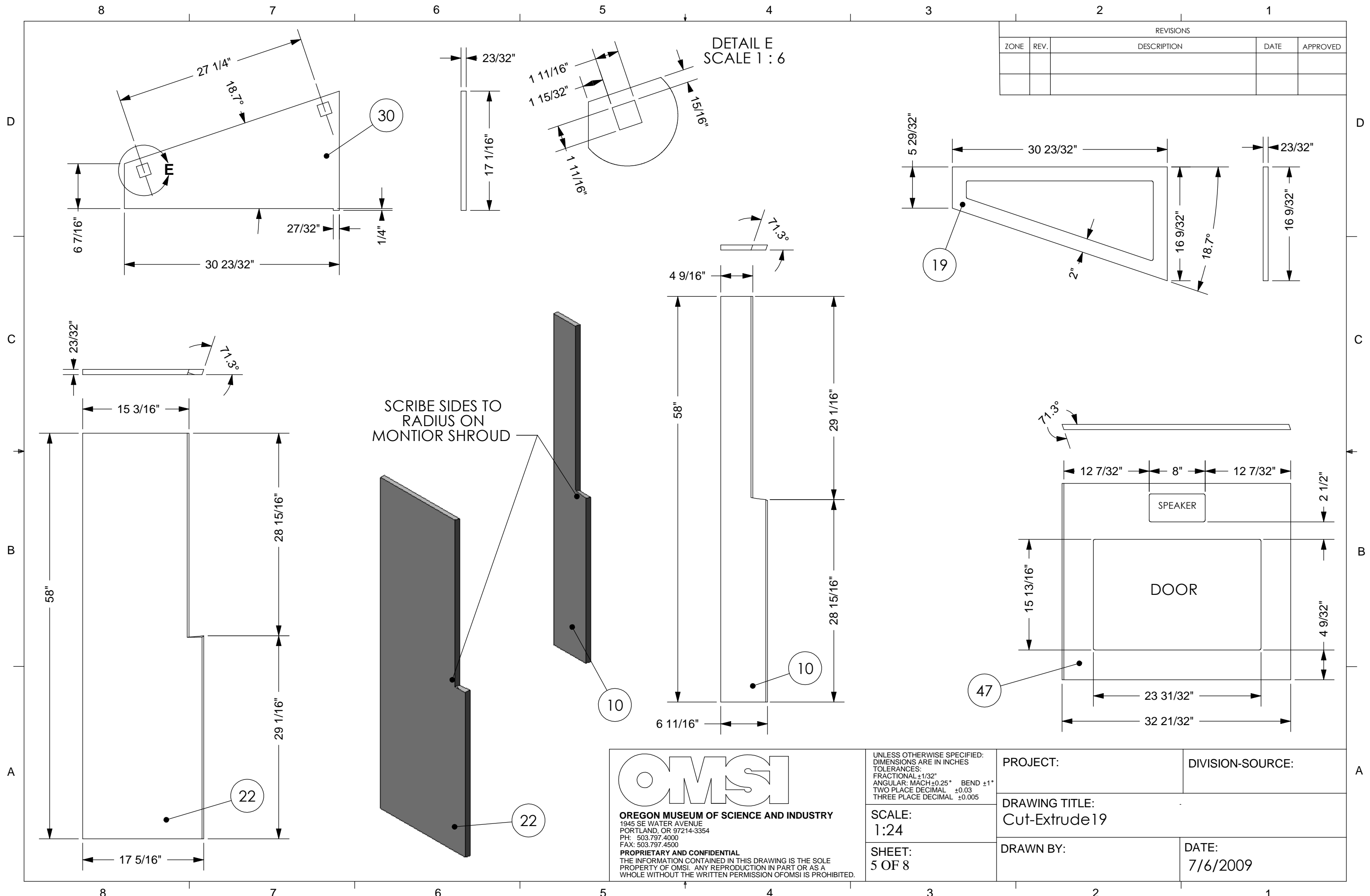
PROJECT: \_\_\_\_\_ DIVISION-SOURCE: \_\_\_\_\_

DRAWING TITLE:  
 Cut-Extrude2

DRAWN BY: \_\_\_\_\_ DATE:  
 7/6/2009

REVISIONS				
ZONE	REV.	DESCRIPTION	DATE	APPROVED

DETAIL E  
SCALE 1 : 6



SCRIBE SIDES TO  
RADIUS ON  
MONTIOR SHROUD

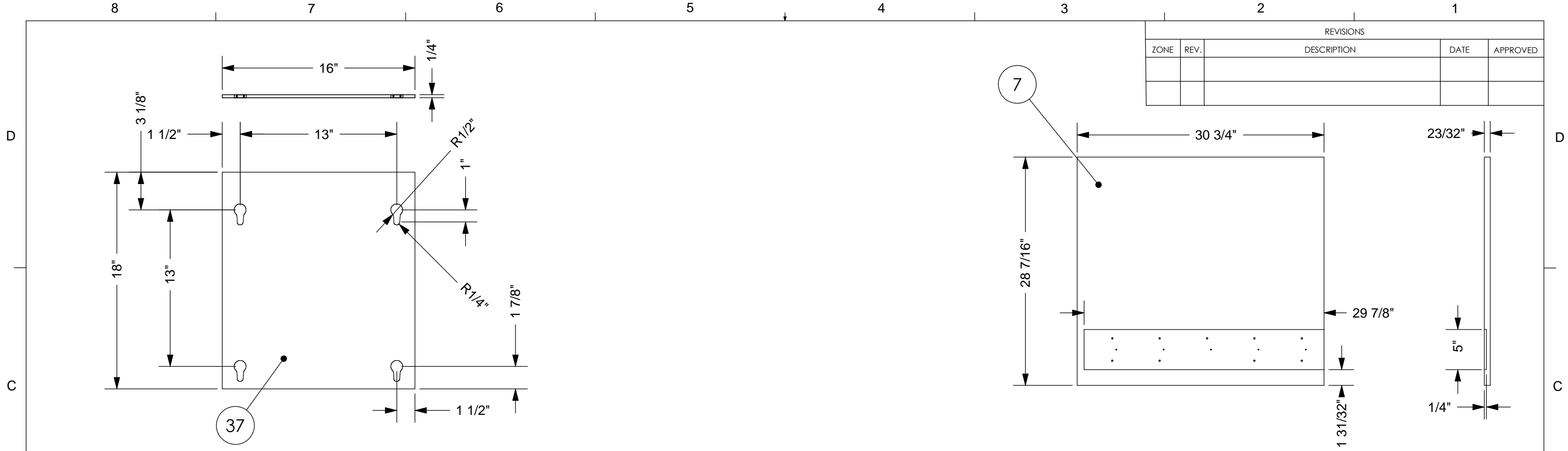
**OMSI**  
**OREGON MUSEUM OF SCIENCE AND INDUSTRY**  
 1945 SE WATER AVENUE  
 PORTLAND, OR 97214-3354  
 PH: 503.797.4000  
 FAX: 503.797.4500  
**PROPRIETARY AND CONFIDENTIAL**  
 THE INFORMATION CONTAINED IN THIS DRAWING IS THE SOLE  
 PROPERTY OF OMSI. ANY REPRODUCTION IN PART OR AS A  
 WHOLE WITHOUT THE WRITTEN PERMISSION OF OMSI IS PROHIBITED.

UNLESS OTHERWISE SPECIFIED:  
 DIMENSIONS ARE IN INCHES  
 TOLERANCES:  
 FRACTIONAL ±1/32"  
 ANGULAR: MACH ±0.25° BEND ±1°  
 TWO PLACE DECIMAL ±0.03  
 THREE PLACE DECIMAL ±0.005

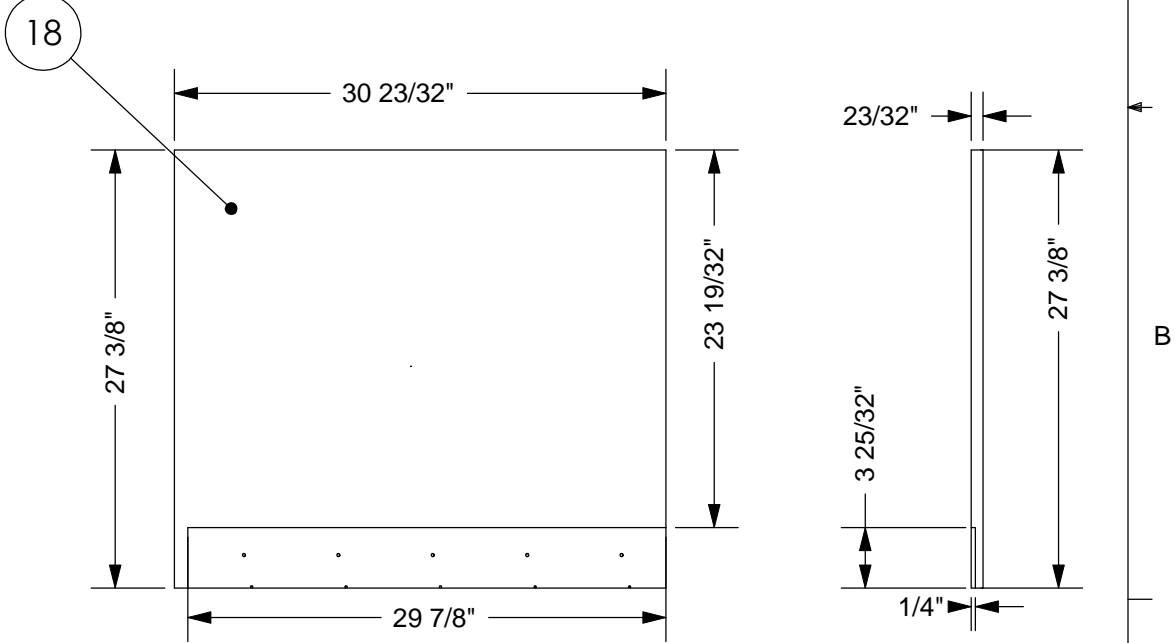
SCALE:  
1:24  
SHEET:  
5 OF 8

PROJECT:	DIVISION-SOURCE:
DRAWING TITLE: Cut-Extrude19	
DRAWN BY:	DATE: 7/6/2009

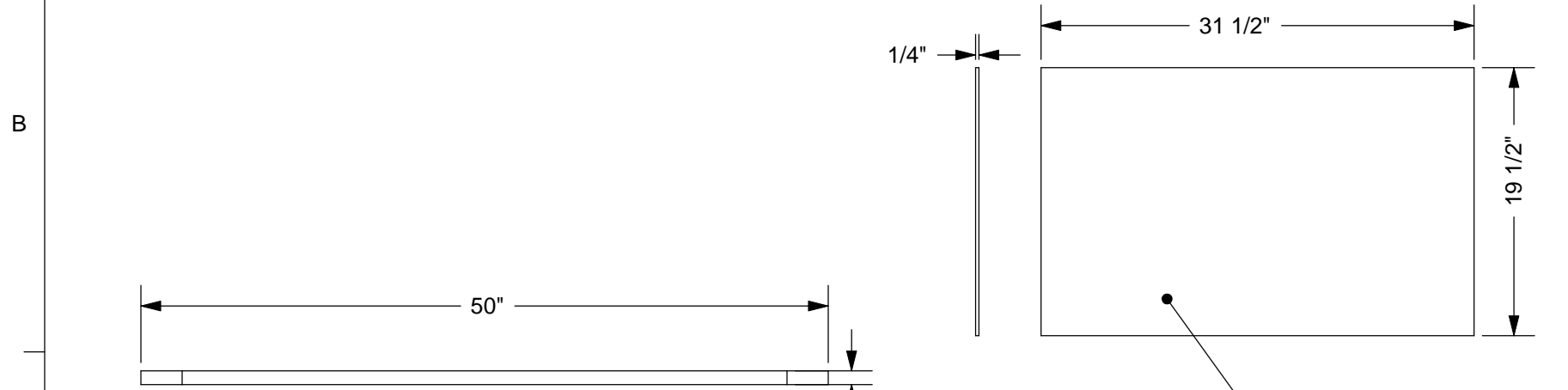
REVISIONS				
ZONE	REV.	DESCRIPTION	DATE	APPROVED



STEEL PLATE



CLEAR ACRYLIC



**OMSI**  
**OREGON MUSEUM OF SCIENCE AND INDUSTRY**  
 1945 SE WATER AVENUE  
 PORTLAND, OR 97214-3354  
 PH: 503.797.4000  
 FAX: 503.797.4500  
**PROPRIETARY AND CONFIDENTIAL**  
 THE INFORMATION CONTAINED IN THIS DRAWING IS THE SOLE  
 PROPERTY OF OMSI. ANY REPRODUCTION IN PART OR AS A  
 WHOLE WITHOUT THE WRITTEN PERMISSION OF OMSI IS PROHIBITED.

UNLESS OTHERWISE SPECIFIED:  
 DIMENSIONS ARE IN INCHES  
 TOLERANCES:  
 FRACTIONAL  $\pm 1/32$ "  
 ANGULAR: MACH  $\pm 0.25^\circ$  BEND  $\pm 1^\circ$   
 TWO PLACE DECIMAL  $\pm 0.03$   
 THREE PLACE DECIMAL  $\pm 0.005$

SCALE:  
 1:24

SHEET:  
 6 OF 8

PROJECT:

DRAWING TITLE:  
 Cut-Extrude25[1]

DRAWN BY:

DIVISION-SOURCE:

DATE:  
 7/6/2009

8

7

6

5

4

3

2

1

REVISIONS				
ZONE	REV.	DESCRIPTION	DATE	APPROVED

D

D

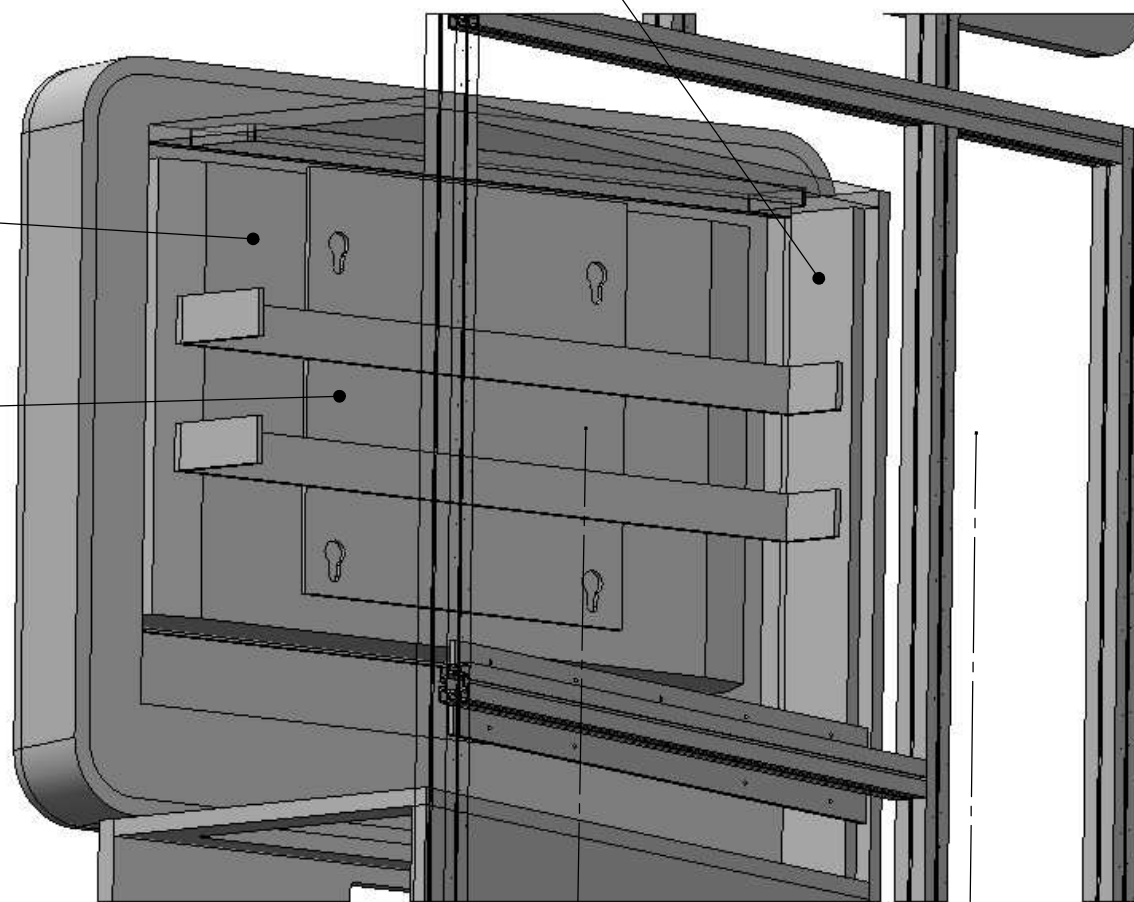
BLOCKING FOR MONITOR BRACKET

C

C

MONITOR

MONITOR BRACKET



B

B

A

A

**OMSI**  
**OREGON MUSEUM OF SCIENCE AND INDUSTRY**  
 1945 SE WATER AVENUE  
 PORTLAND, OR 97214-3354  
 PH: 503.797.4000  
 FAX: 503.797.4500  
**PROPRIETARY AND CONFIDENTIAL**  
 THE INFORMATION CONTAINED IN THIS DRAWING IS THE SOLE  
 PROPERTY OF OMSI. ANY REPRODUCTION IN PART OR AS A  
 WHOLE WITHOUT THE WRITTEN PERMISSION OF OMSI IS PROHIBITED.

UNLESS OTHERWISE SPECIFIED:  
 DIMENSIONS ARE IN INCHES  
 TOLERANCES:  
 FRACTIONAL ±1/32"  
 ANGULAR: MACH ±0.25° BEND ±1°  
 TWO PLACE DECIMAL ±0.03  
 THREE PLACE DECIMAL ±0.005

SCALE:  
 1:24

SHEET:  
 7 OF 8

PROJECT:

DIVISION-SOURCE:

DRAWING TITLE:  
 SPLIT BILLION&INTRO

DRAWN BY:

DATE:  
 7/6/2009

8

7

6

5

4

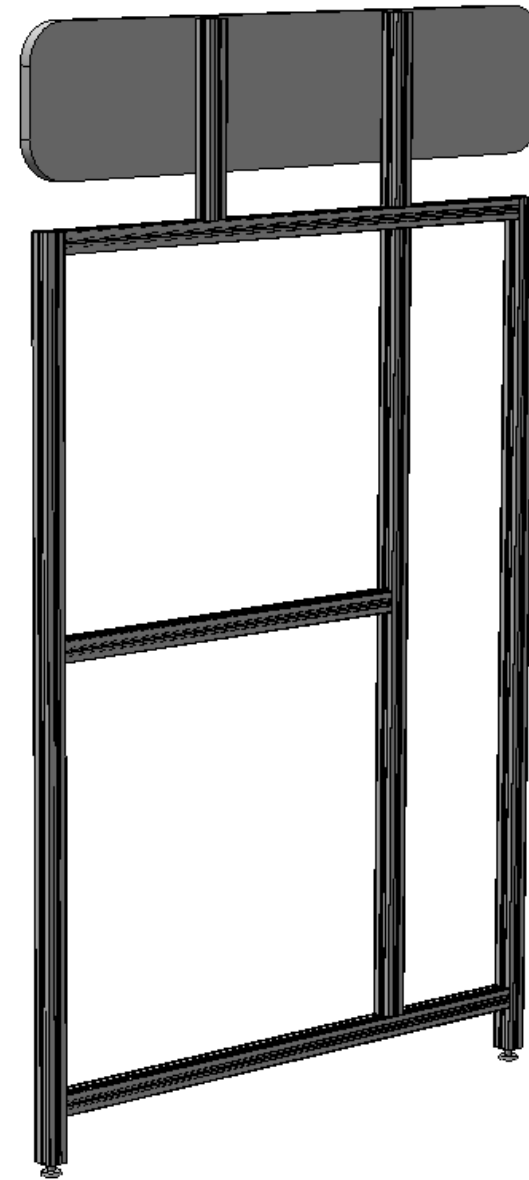
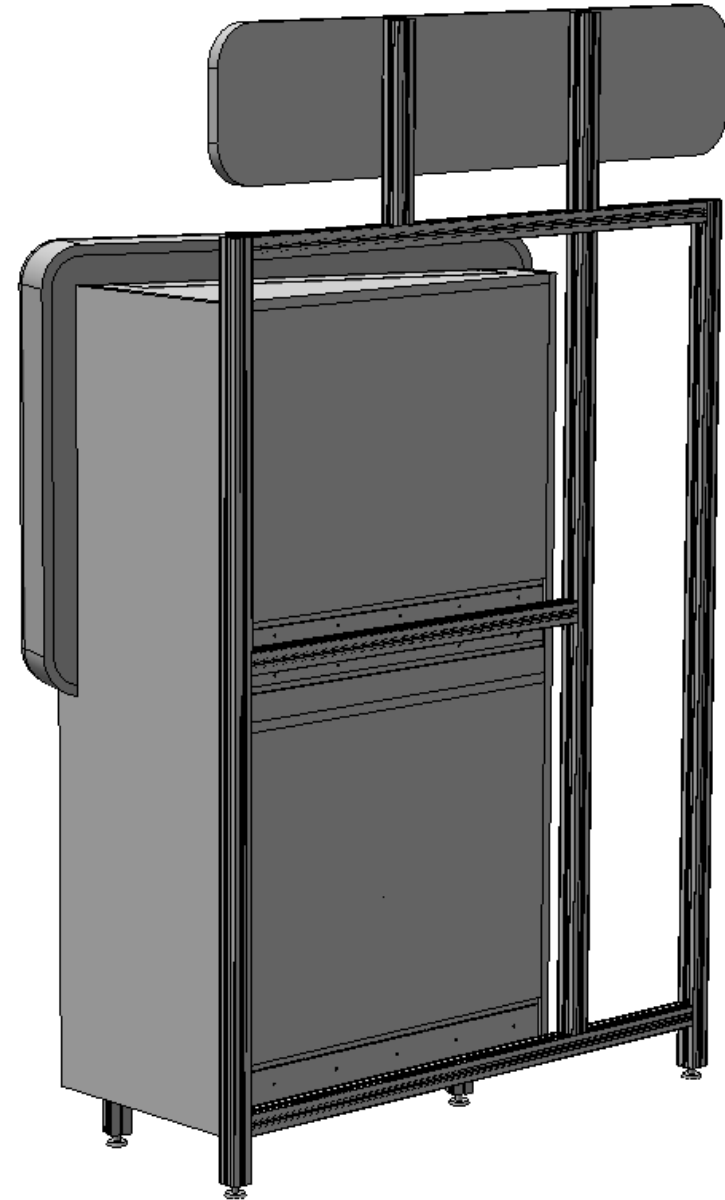
3

2

1



REVISIONS				
ZONE	REV.	DESCRIPTION	DATE	APPROVED



**OREGON MUSEUM OF SCIENCE AND INDUSTRY**  
 1945 SE WATER AVENUE  
 PORTLAND, OR 97214-3354  
 PH: 503.797.4000  
 FAX: 503.797.4500  
**PROPRIETARY AND CONFIDENTIAL**  
 THE INFORMATION CONTAINED IN THIS DRAWING IS THE SOLE  
 PROPERTY OF OMSI. ANY REPRODUCTION IN PART OR AS A  
 WHOLE WITHOUT THE WRITTEN PERMISSION OF OMSI IS PROHIBITED.

UNLESS OTHERWISE SPECIFIED:  
 DIMENSIONS ARE IN INCHES  
 TOLERANCES:  
 FRACTIONAL  $\pm 1/32"$   
 ANGULAR: MACH  $\pm 0.25^\circ$  BEND  $\pm 1^\circ$   
 TWO PLACE DECIMAL  $\pm 0.03$   
 THREE PLACE DECIMAL  $\pm 0.005$

SCALE:  
 1:24

SHEET:  
 8 OF 8

PROJECT:

DIVISION-SOURCE:

DRAWING TITLE:  
 SPLIT BILLION&INTRO

DRAWN BY:

DATE:  
 7/6/2009