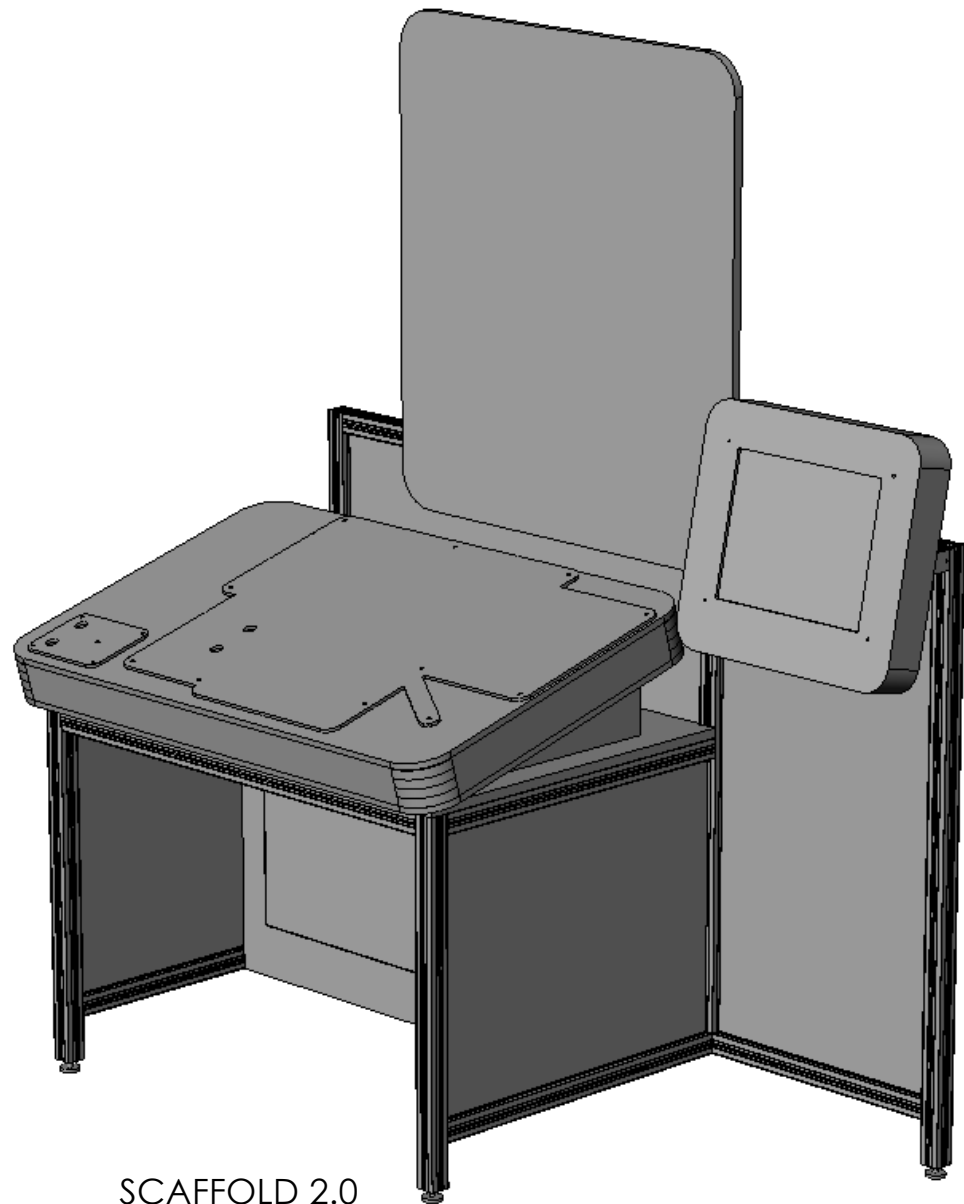


THE INFORMATION CONTAINED IN THIS DRAWING IS THE SOLE PROPERTY OF OMSI. ANY REPRODUCTION IN PART OR AS A WHOLE WITHOUT THE WRITTEN PERMISSION OF OMSI IS PROHIBITED.
 UNLESS OTHERWISE SPECIFIED:
 DIMENSIONS ARE IN INCHES
 TOLERANCES:
 FRACTIONAL ±1/32"
 ANGULAR: MACH ±0.25° BEND ±1°
 TWO PLACE DECIMAL ±0.03
 THREE PLACE DECIMAL ±0.005

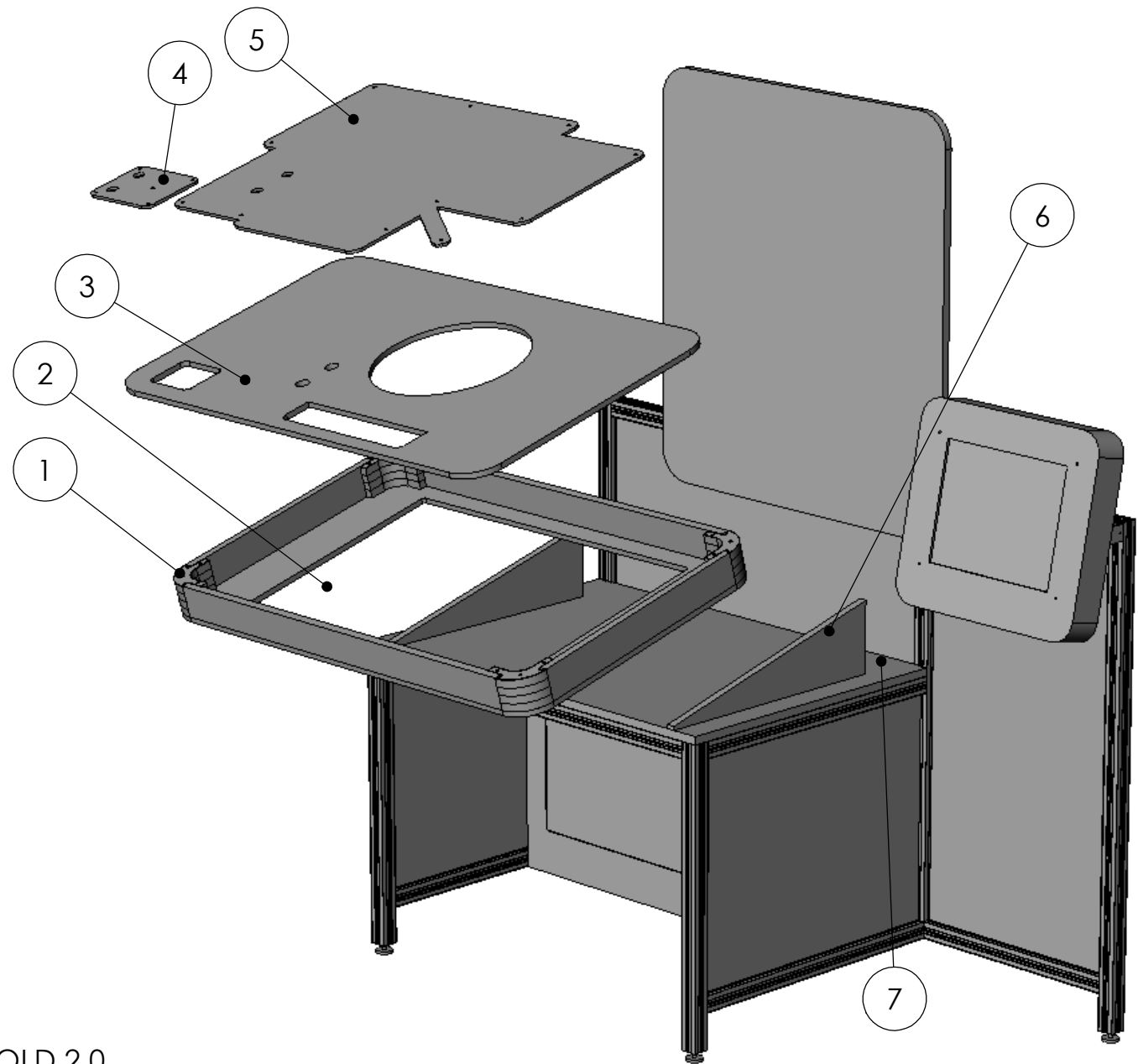
5/18/2009
 1 OF 6

D
C
B
A


D
C
B
A



SCAFFOLD 2.0



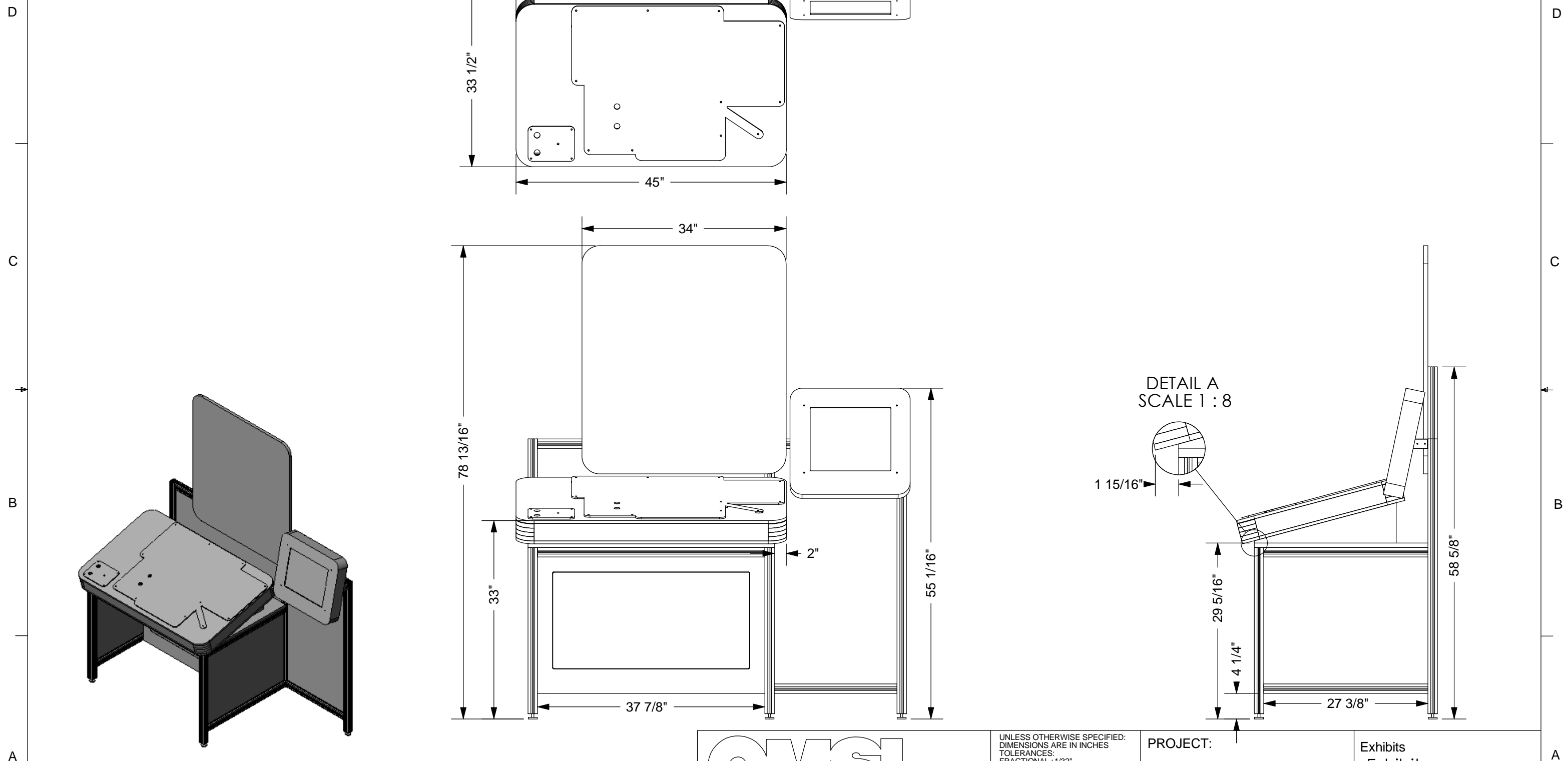
SCAFFOLD 2.0
 EXPLODED VIEW

 OREGON MUSEUM OF SCIENCE AND INDUSTRY PROPRIETARY AND CONFIDENTIAL	PROJECT:	Exhibits	
	SCALE:	DRAWING TITLE:	
	1:48	NANO_1.0&2.0_ASSY	
SHEET:	DRAWN BY:	DATE:	
	C BRINTON		

8 7 6 5 4 3 2 1

8 7 6 5 4 3 2 1

REVISIONS				
ZONE	REV.	DESCRIPTION	DATE	APPROVED



OMSI
OREGON MUSEUM OF SCIENCE AND INDUSTRY
 1945 SE WATER AVENUE
 PORTLAND, OR 97214-3354
 PH: 503.797.4000
 FAX: 503.797.4500
PROPRIETARY AND CONFIDENTIAL
 THE INFORMATION CONTAINED IN THIS DRAWING IS THE SOLE
 PROPERTY OF OMSI. ANY REPRODUCTION IN PART OR AS A
 WHOLE WITHOUT THE WRITTEN PERMISSION OF OMSI IS PROHIBITED.

UNLESS OTHERWISE SPECIFIED:
 DIMENSIONS ARE IN INCHES
 TOLERANCES:
 FRACTIONAL ±1/32"
 ANGULAR: MACH ±0.25° BEND ±1°
 TWO PLACE DECIMAL ±0.03
 THREE PLACE DECIMAL ±0.005

SCALE:
 1:24

SHEET:
 1 OF 1

PROJECT:	Exhibits Exhibits
DRAWING TITLE:	NANO_1.0&2.0_ASSY
DRAWN BY:	C BRINTON
DATE:	7/2/2009

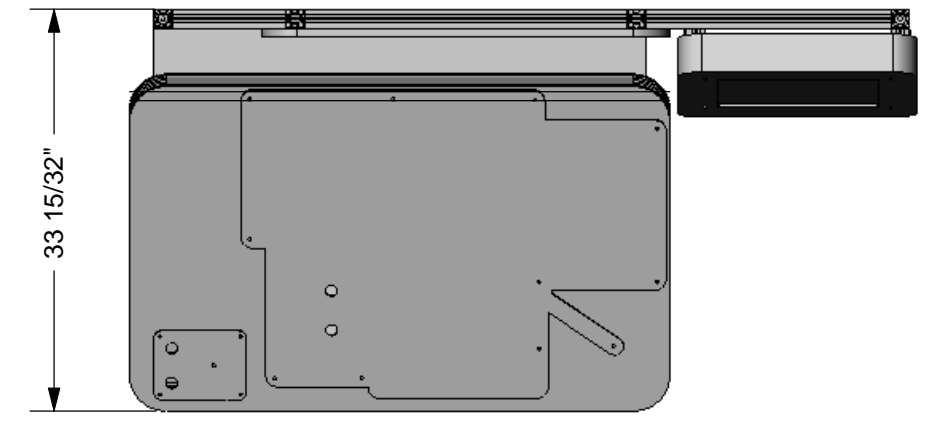
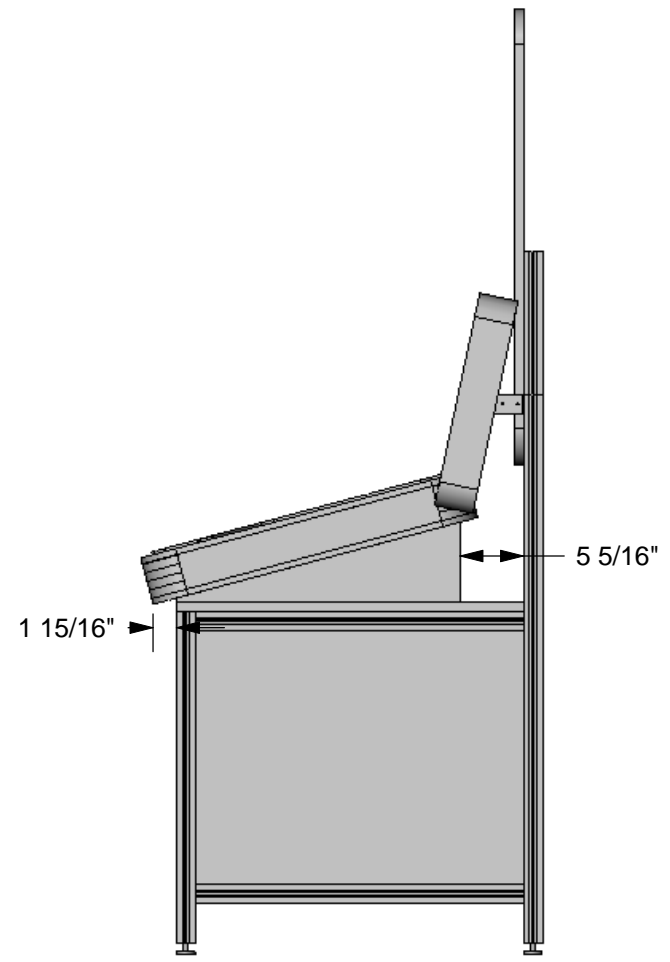
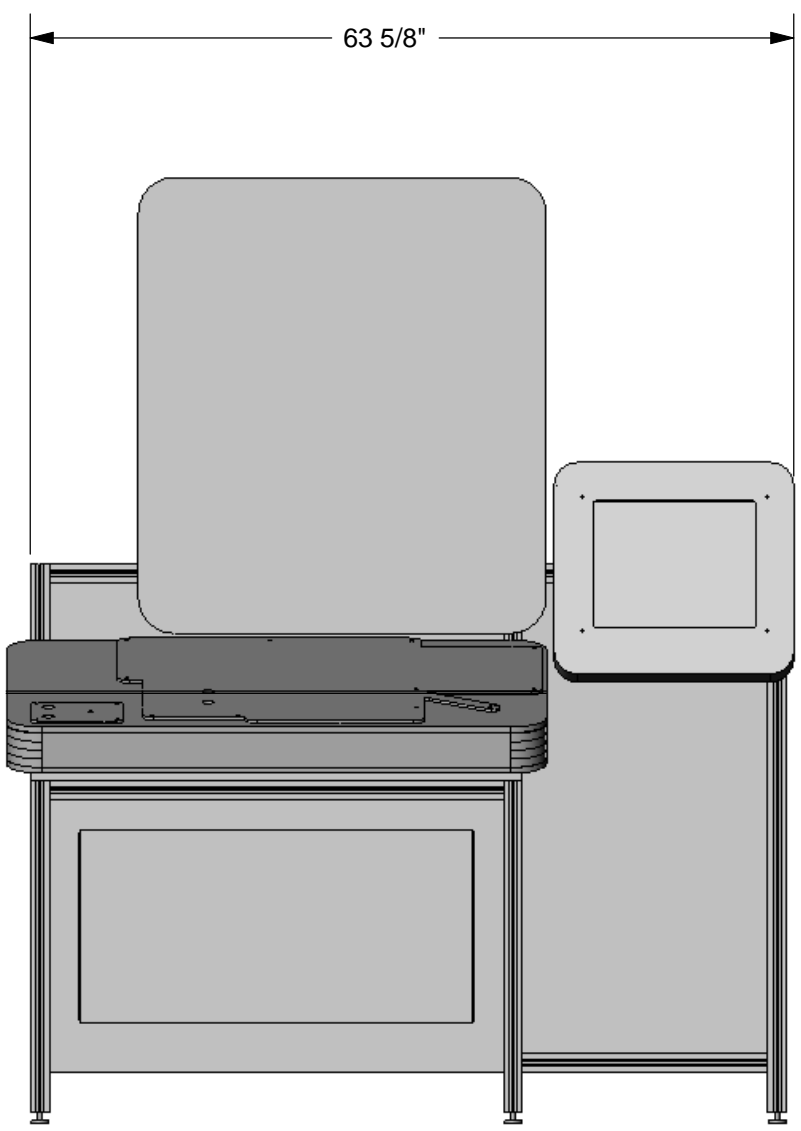
8 7 6 5 4 3 2 1


THE INFORMATION CONTAINED IN THIS DRAWING IS THE SOLE
 PROPERTY OF OMSI. ANY REPRODUCTION IN PART OR AS A
 WHOLE WITHOUT THE WRITTEN PERMISSION OF OMSI IS PROHIBITED.
 UNLESS OTHERWISE SPECIFIED:
 DIMENSIONS ARE IN INCHES
 TOLERANCES:
 FRACTIONAL ±1/32"
 ANGULAR: MACH ±0.25° BEND ±1°
 TWO PLACE DECIMAL ±0.03
 THREE PLACE DECIMAL ±0.005

5/18/2009
 2 OF 6

D
C
B
A

D
C
B
A



 OREGON MUSEUM OF SCIENCE AND INDUSTRY PROPRIETARY AND CONFIDENTIAL	PROJECT:	Exhibits
	SCALE:	1:48
	DRAWING TITLE:	NANO_1.0&2.0_ASSY
SHEET:	DRAWN BY:	DATE:
	C BRINTON	

8 7 6 5 4 3 2 1

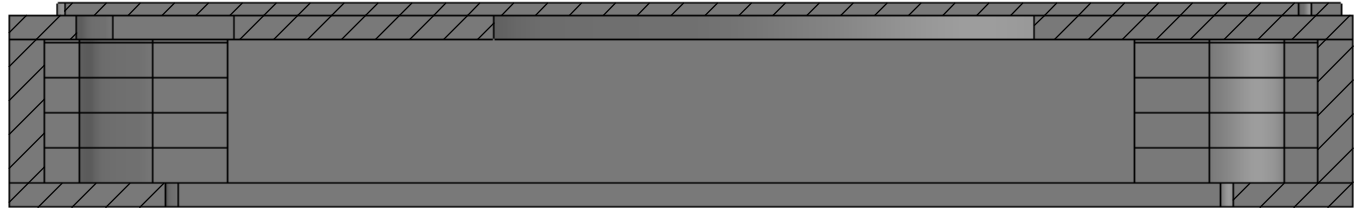
8 7 6 5 4 3 2 1

THE INFORMATION CONTAINED IN THIS DRAWING IS THE SOLE PROPERTY OF OMSI. ANY REPRODUCTION IN PART OR AS A WHOLE WITHOUT THE WRITTEN PERMISSION OF OMSI IS PROHIBITED. UNLESS OTHERWISE SPECIFIED: DIMENSIONS ARE IN INCHES. TOLERANCES: FRACTIONAL ±1/32" ANGULAR: MACH ±0.25° BEND ±1° TWO PLACE DECIMAL ±0.03 THREE PLACE DECIMAL ±0.005

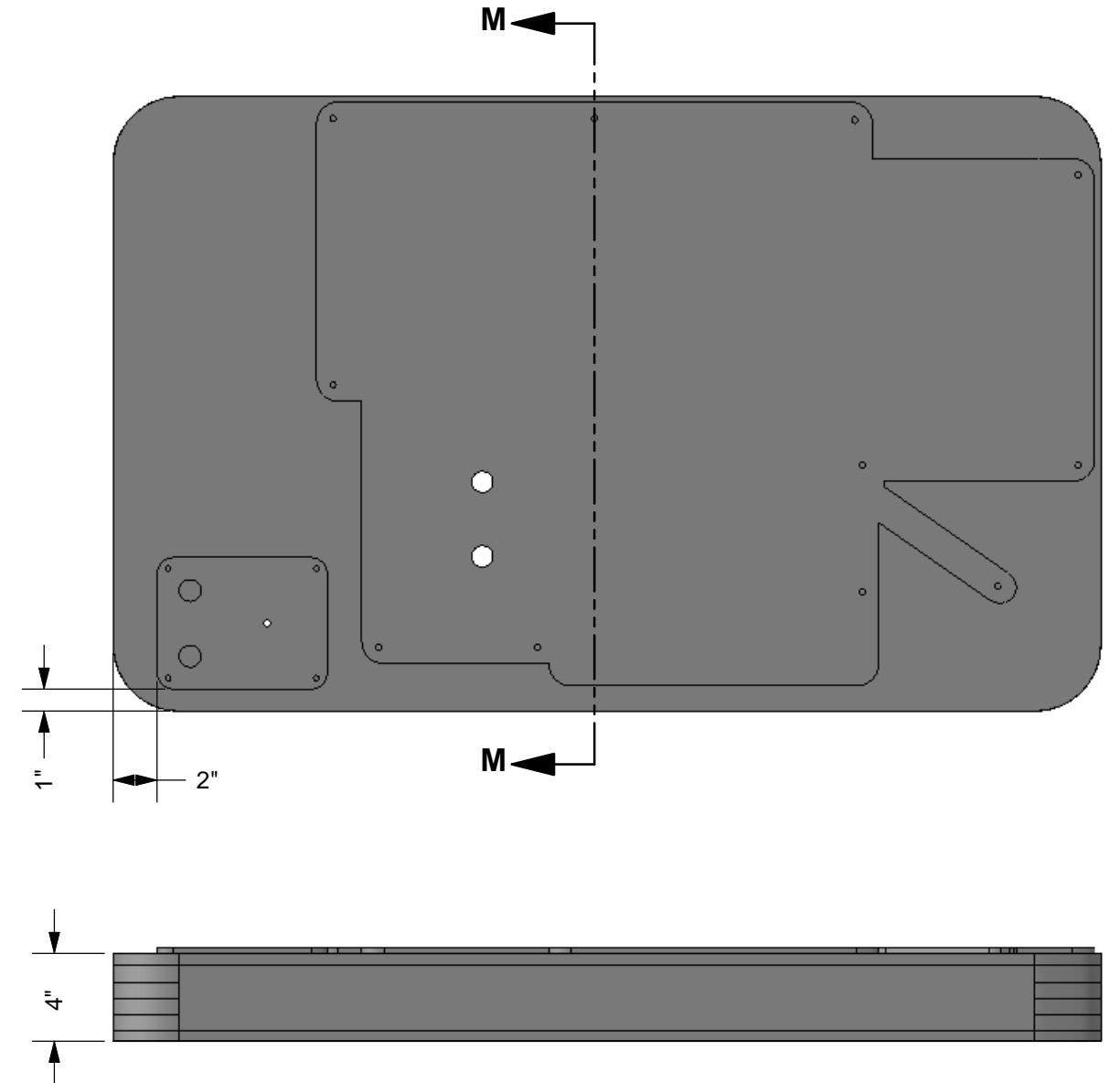
5/18/2009
3 OF 6


D
C
B
A

D
C
B
A



SECTION M-M
SCALE 1 : 4

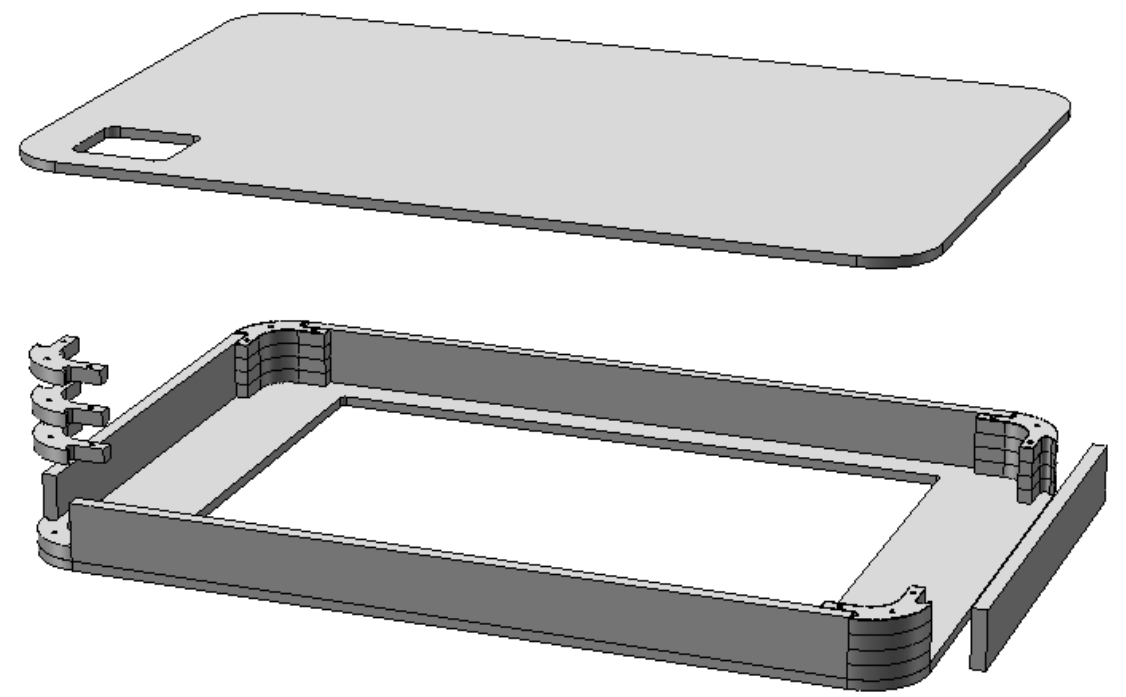
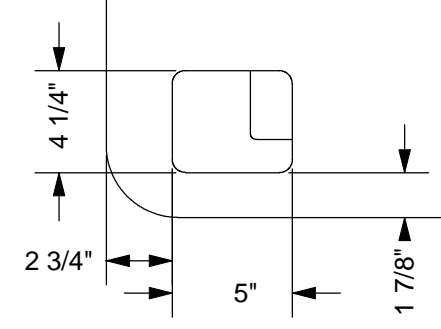
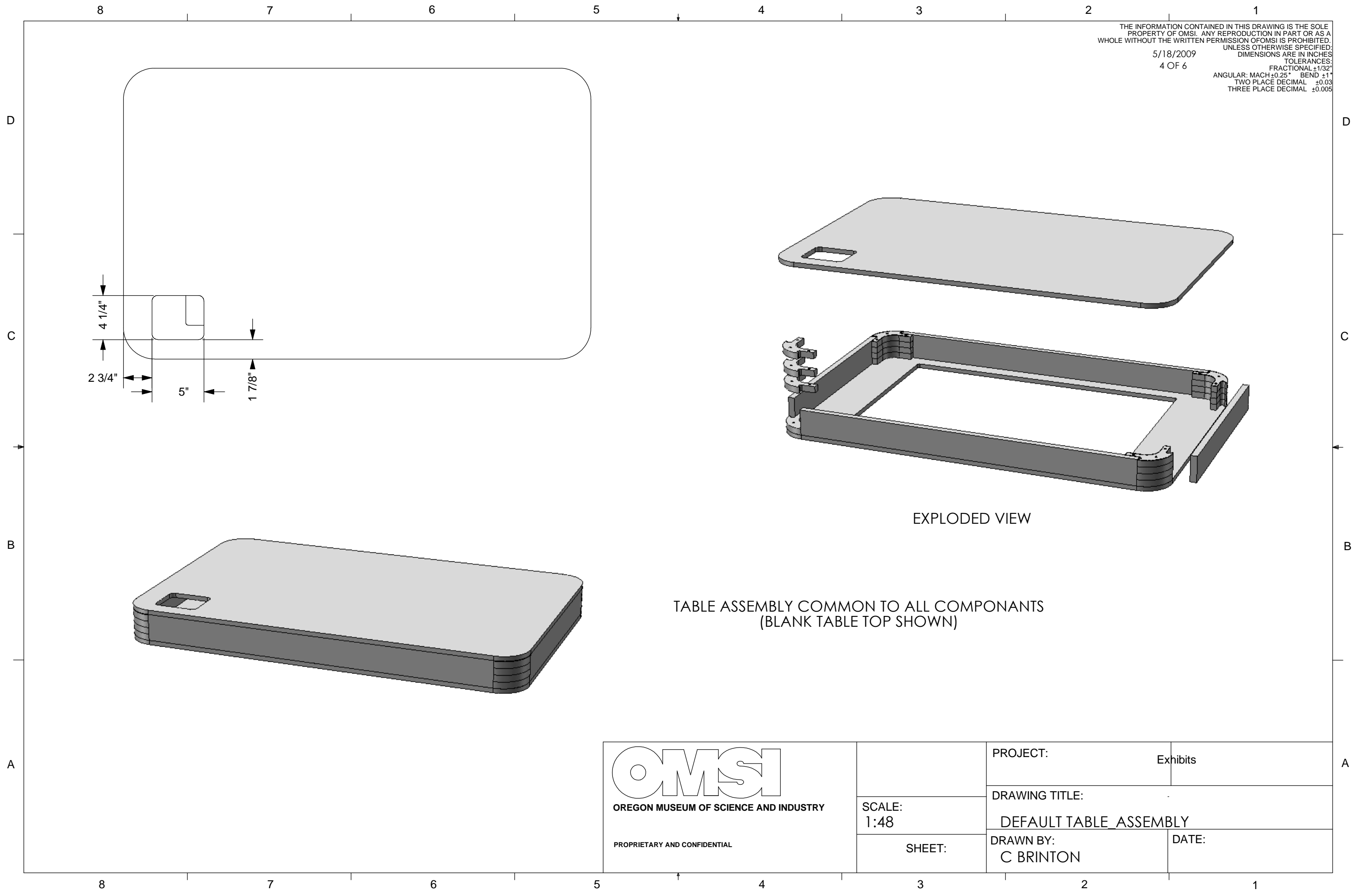


 OREGON MUSEUM OF SCIENCE AND INDUSTRY PROPRIETARY AND CONFIDENTIAL	PROJECT:	Exhibits
	SCALE:	1:48
	SHEET:	
	DRAWING TITLE:	SCAFFOLD_ASSEMBLY
	DRAWN BY:	C BRINTON
	DATE:	

8 7 6 5 4 3 2 1

THE INFORMATION CONTAINED IN THIS DRAWING IS THE SOLE PROPERTY OF OMSI. ANY REPRODUCTION IN PART OR AS A WHOLE WITHOUT THE WRITTEN PERMISSION OF OMSI IS PROHIBITED. UNLESS OTHERWISE SPECIFIED: DIMENSIONS ARE IN INCHES. TOLERANCES: FRACTIONAL ±1/32" ANGULAR: MACH ±0.25° BEND ±1° TWO PLACE DECIMAL ±0.03 THREE PLACE DECIMAL ±0.005

5/18/2009
4 OF 6



EXPLODED VIEW

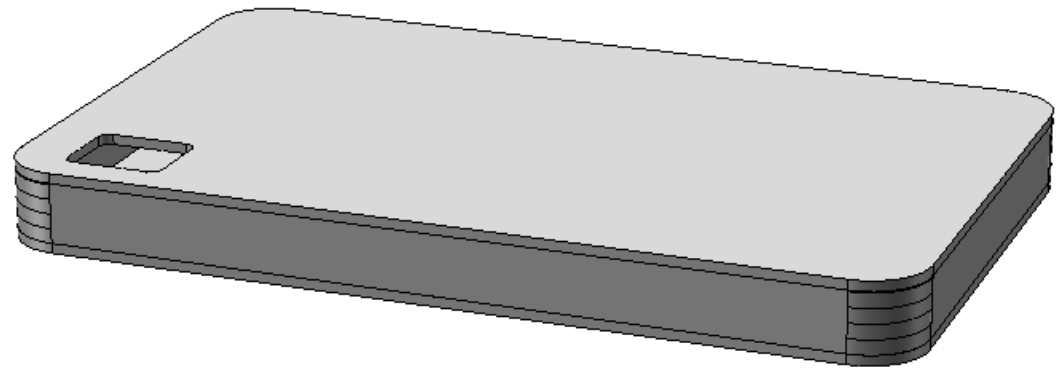

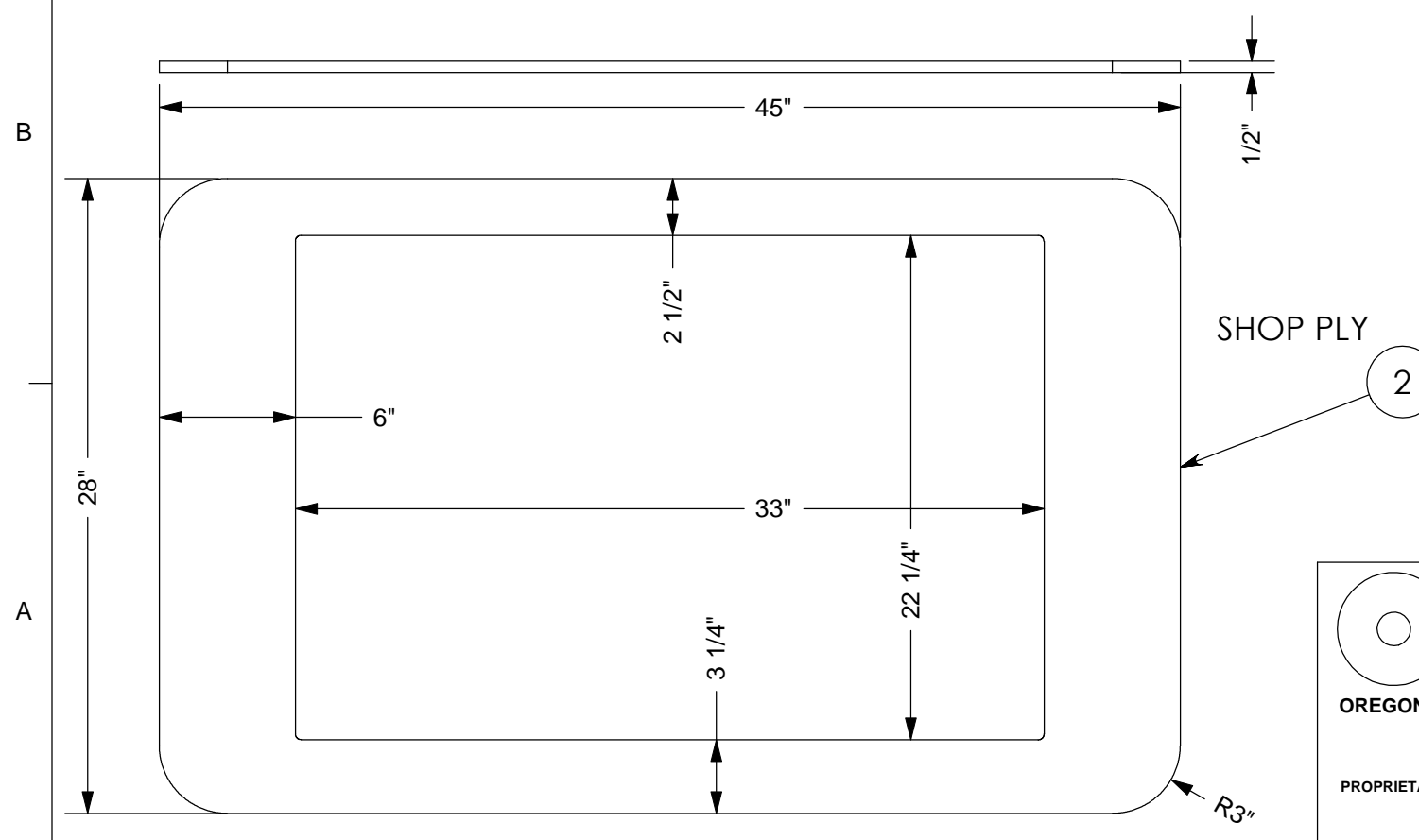
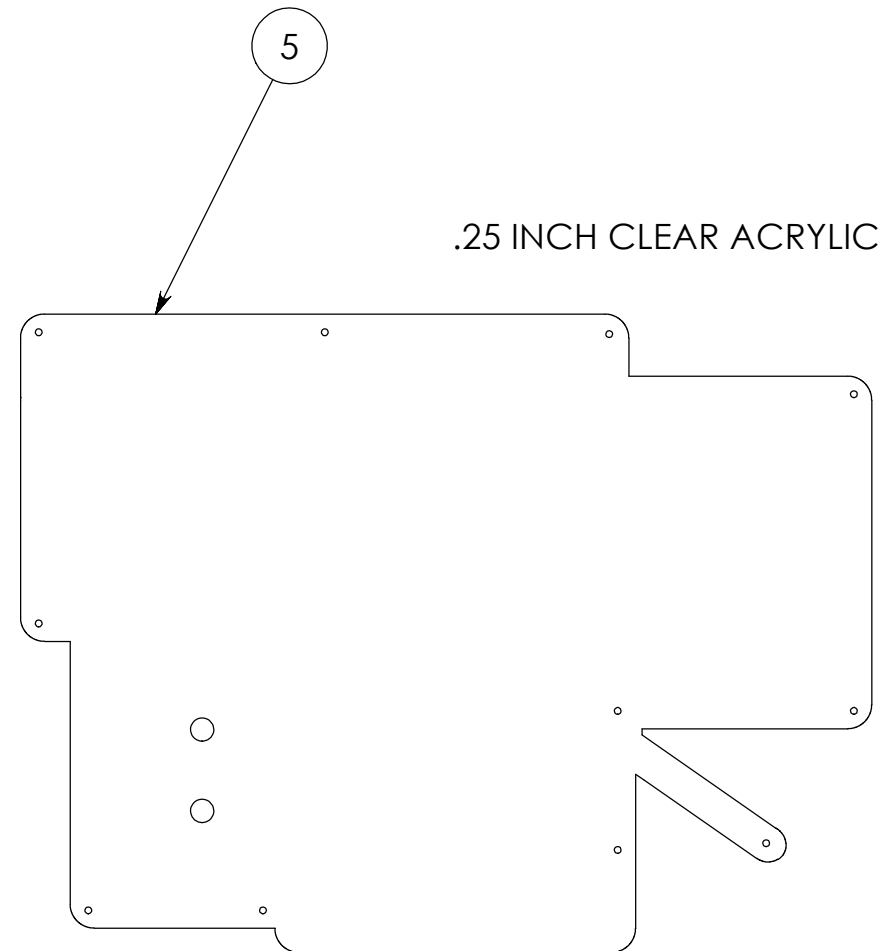
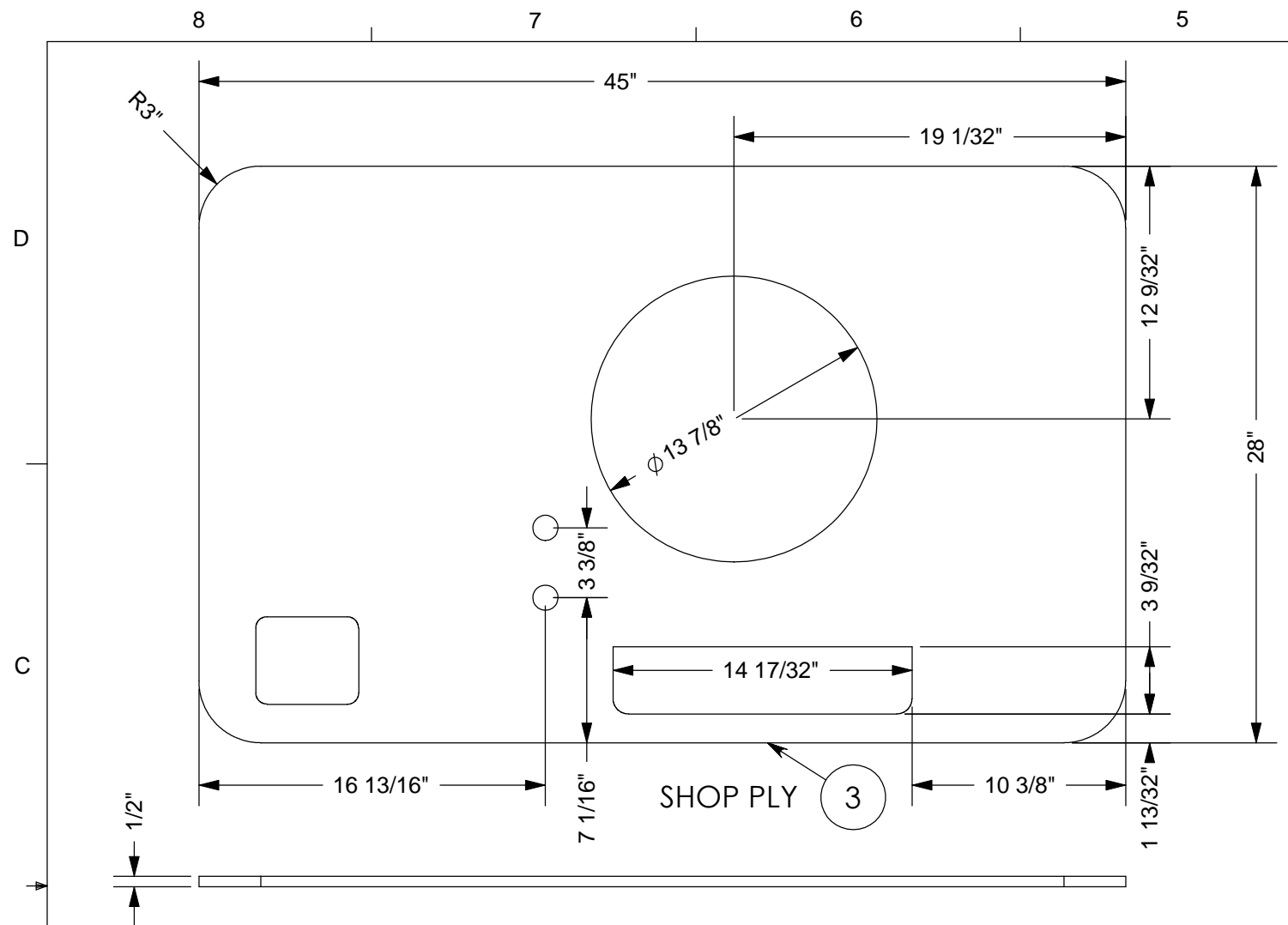


TABLE ASSEMBLY COMMON TO ALL COMPONENTS
(BLANK TABLE TOP SHOWN)


 OREGON MUSEUM OF SCIENCE AND INDUSTRY PROPRIETARY AND CONFIDENTIAL		PROJECT:	Exhibits
	SCALE: 1:48	DRAWING TITLE: DEFAULT TABLE ASSEMBLY	
	SHEET:	DRAWN BY: C BRINTON	DATE:

THE INFORMATION CONTAINED IN THIS DRAWING IS THE SOLE PROPERTY OF OMSI. ANY REPRODUCTION IN PART OR AS A WHOLE WITHOUT THE WRITTEN PERMISSION OF OMSI IS PROHIBITED.
 5/18/2009
 5 OF 6
 DIMENSIONS ARE IN INCHES
 TOLERANCES:
 FRACTIONAL ±1/32"
 ANGULAR: MACH ±0.25° BEND ±1°
 TWO PLACE DECIMAL ±0.03
 THREE PLACE DECIMAL ±0.005

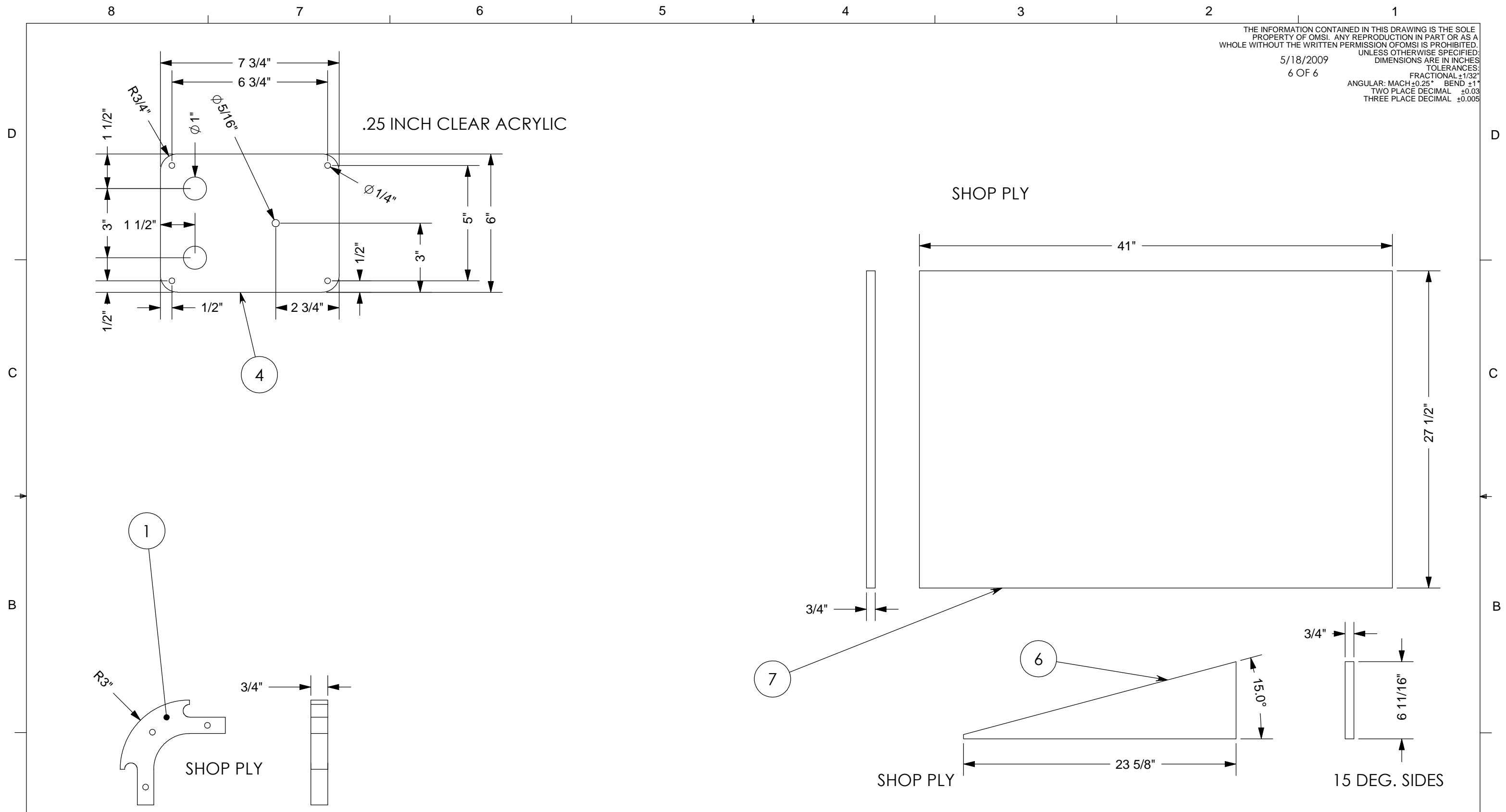


.25 INCH CLEAR ACRYLIC


REFER TO CAD DATA FOR DIMENSIONS

 OREGON MUSEUM OF SCIENCE AND INDUSTRY PROPRIETARY AND CONFIDENTIAL	PROJECT:	Exhibits
	SCALE:	1:48
	SHEET:	
DRAWING TITLE:		Body148
DRAWN BY:		C BRINTON
DATE:		

THE INFORMATION CONTAINED IN THIS DRAWING IS THE SOLE PROPERTY OF OMSI. ANY REPRODUCTION IN PART OR AS A WHOLE WITHOUT THE WRITTEN PERMISSION OF OMSI IS PROHIBITED.
 5/18/2009
 6 OF 6
 UNLESS OTHERWISE SPECIFIED:
 DIMENSIONS ARE IN INCHES
 TOLERANCES:
 FRACTIONAL ±1/32"
 ANGULAR: MACH ±0.25° BEND ±1°
 TWO PLACE DECIMAL ±0.03
 THREE PLACE DECIMAL ±0.005



REFER TO CAD DATA FOR DIMENSIONS

 OREGON MUSEUM OF SCIENCE AND INDUSTRY PROPRIETARY AND CONFIDENTIAL	PROJECT:	Exhibits
	SCALE:	1:48
	DRAWING TITLE:	Body183
SHEET:	DRAWN BY:	C BRINTON
	DATE:	