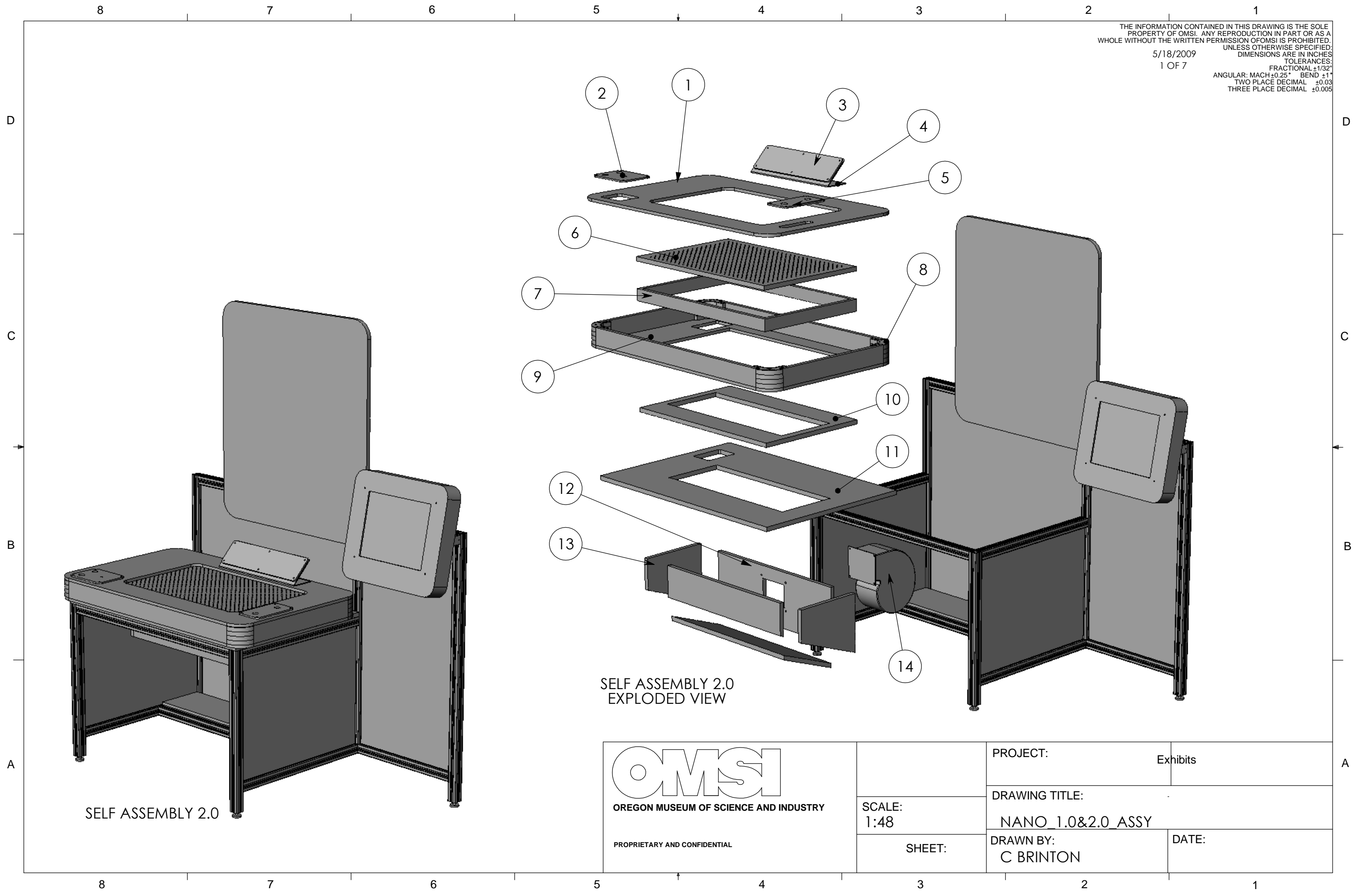



THE INFORMATION CONTAINED IN THIS DRAWING IS THE SOLE
 PROPERTY OF OMSI. ANY REPRODUCTION IN PART OR AS A
 WHOLE WITHOUT THE WRITTEN PERMISSION OF OMSI IS PROHIBITED.
 UNLESS OTHERWISE SPECIFIED:
 DIMENSIONS ARE IN INCHES
 TOLERANCES:
 FRACTIONAL ±1/32"
 ANGULAR: MACH ±0.25° BEND ±1°
 TWO PLACE DECIMAL ±0.03
 THREE PLACE DECIMAL ±0.005

5/18/2009
 1 OF 7



SELF ASSEMBLY 2.0
 EXPLODED VIEW

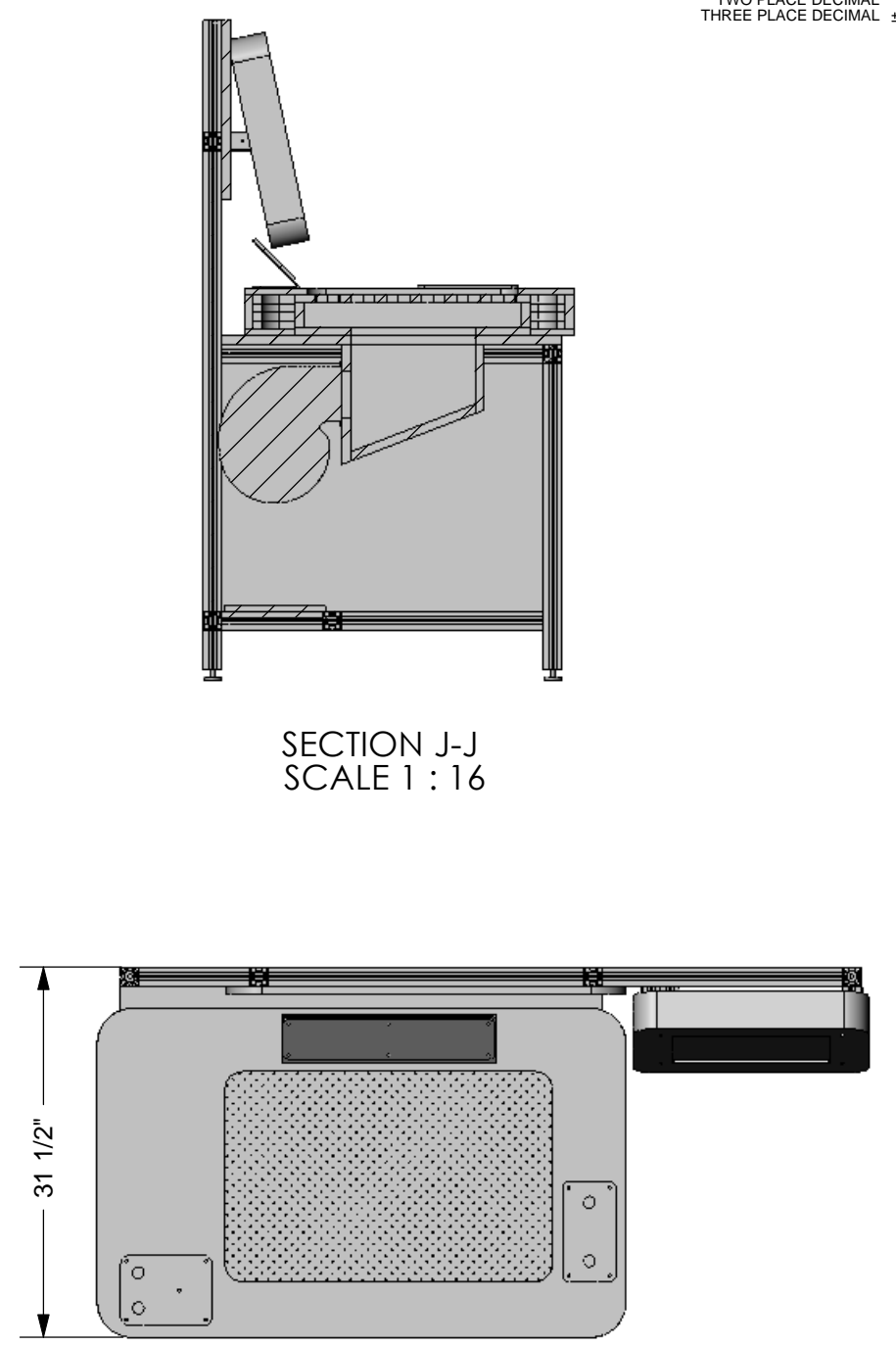
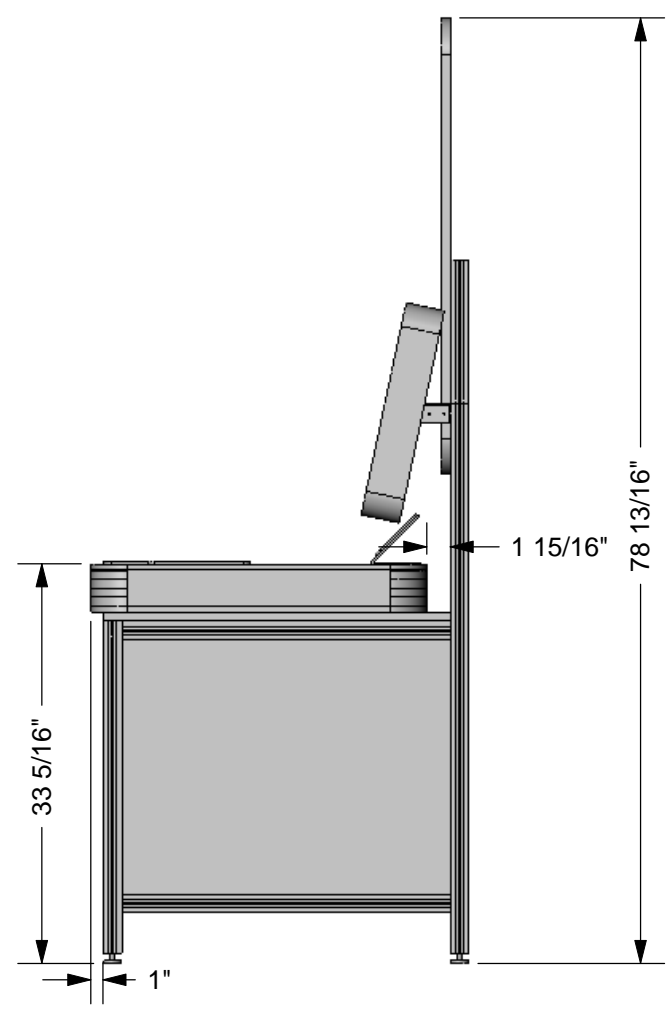
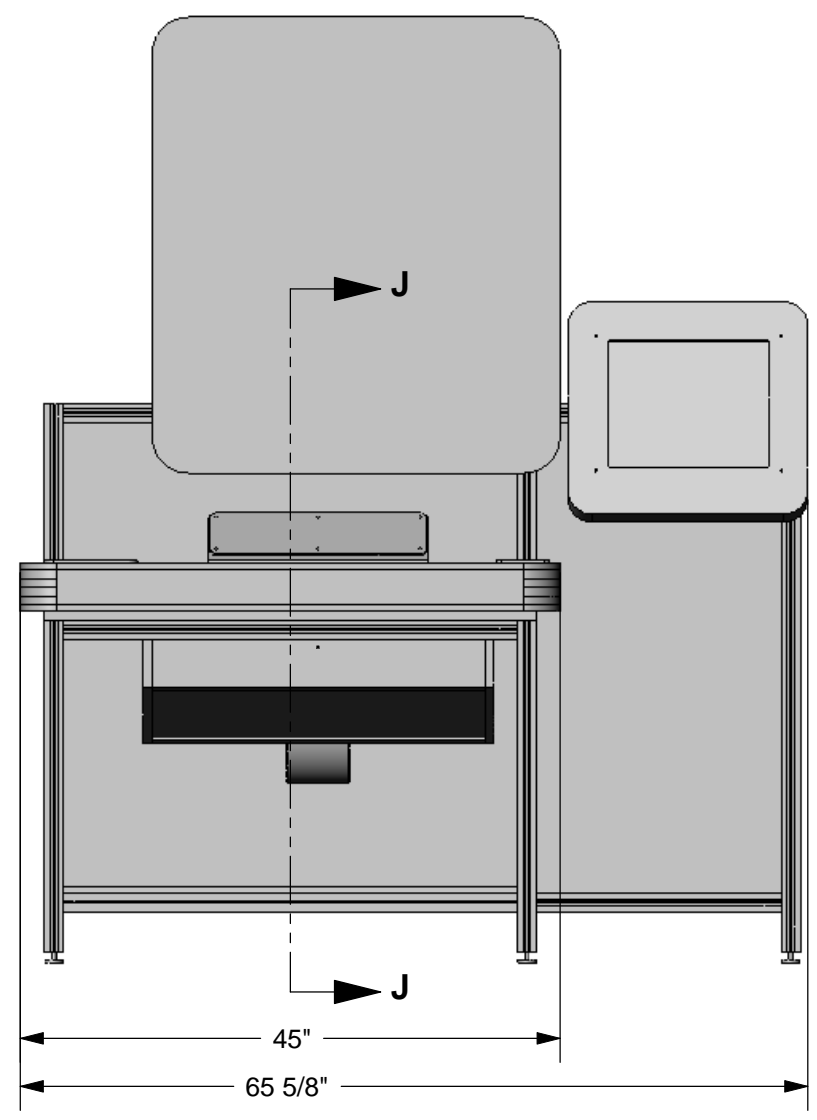
SELF ASSEMBLY 2.0


 OREGON MUSEUM OF SCIENCE AND INDUSTRY PROPRIETARY AND CONFIDENTIAL	SCALE: 1:48	PROJECT: Exhibits
	SHEET:	DRAWING TITLE: NANO_1.0&2.0_ASSY
		DRAWN BY: C BRINTON

THE INFORMATION CONTAINED IN THIS DRAWING IS THE SOLE
 PROPERTY OF OMSI. ANY REPRODUCTION IN PART OR AS A
 WHOLE WITHOUT THE WRITTEN PERMISSION OF OMSI IS PROHIBITED.
 5/18/2009
 2 OF 7
 UNLESS OTHERWISE SPECIFIED:
 DIMENSIONS ARE IN INCHES
 TOLERANCES:
 FRACTIONAL ±1/32"
 ANGULAR: MACH ±0.25° BEND ±1°
 TWO PLACE DECIMAL ±0.03
 THREE PLACE DECIMAL ±0.005

D
C
B
A

D
C
B
A



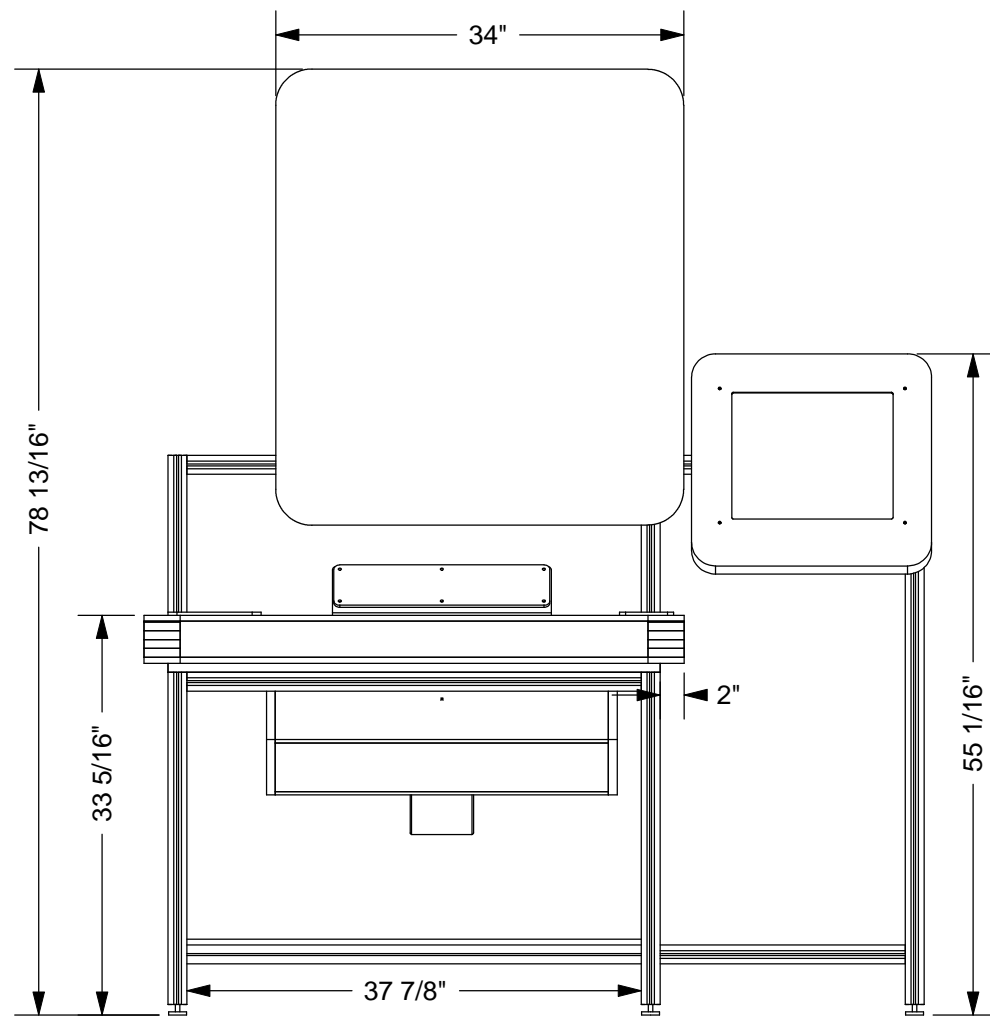
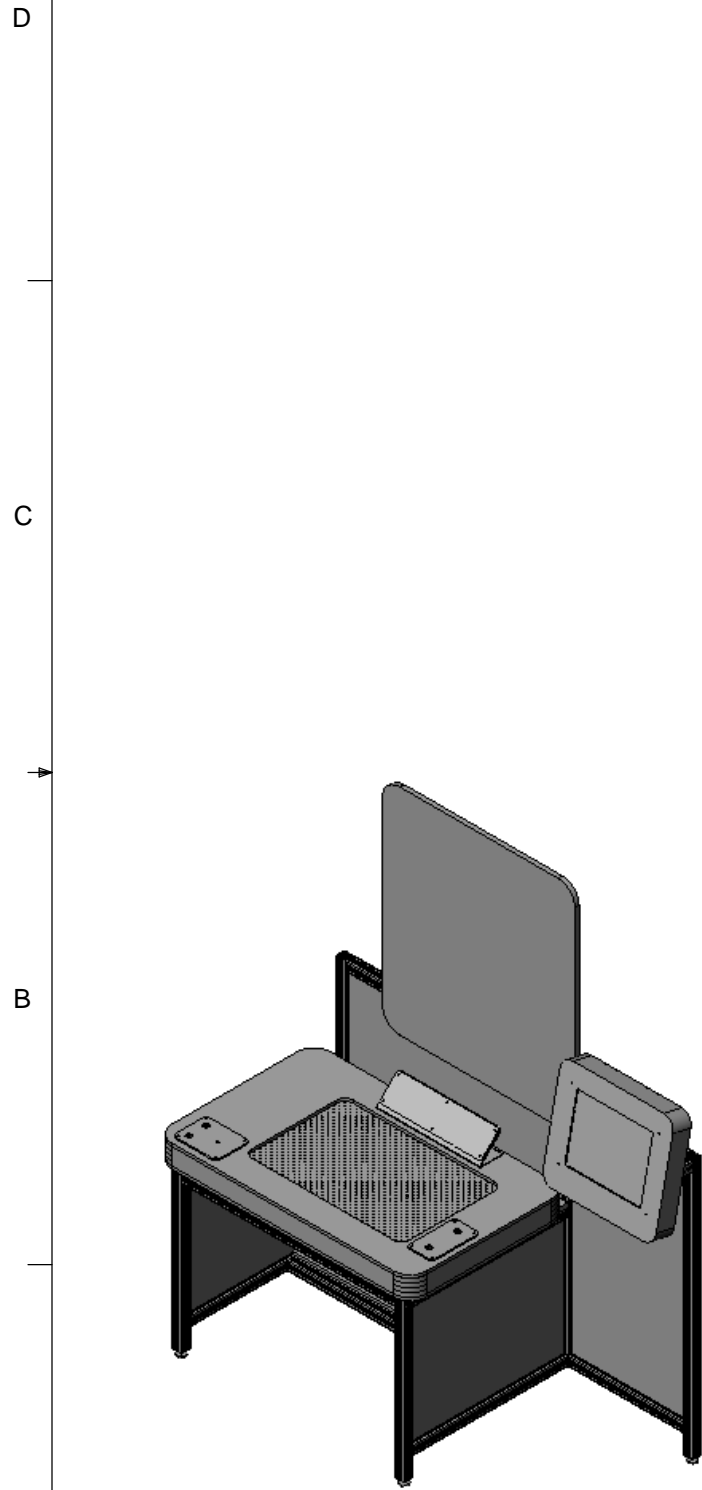
 OREGON MUSEUM OF SCIENCE AND INDUSTRY PROPRIETARY AND CONFIDENTIAL	PROJECT:	Exhibits
	SCALE:	1:48
	DRAWING TITLE:	NANO_1.0&2.0_ASSY
SHEET:	DRAWN BY:	C BRINTON
	DATE:	

8 7 6 5 4 3 2 1

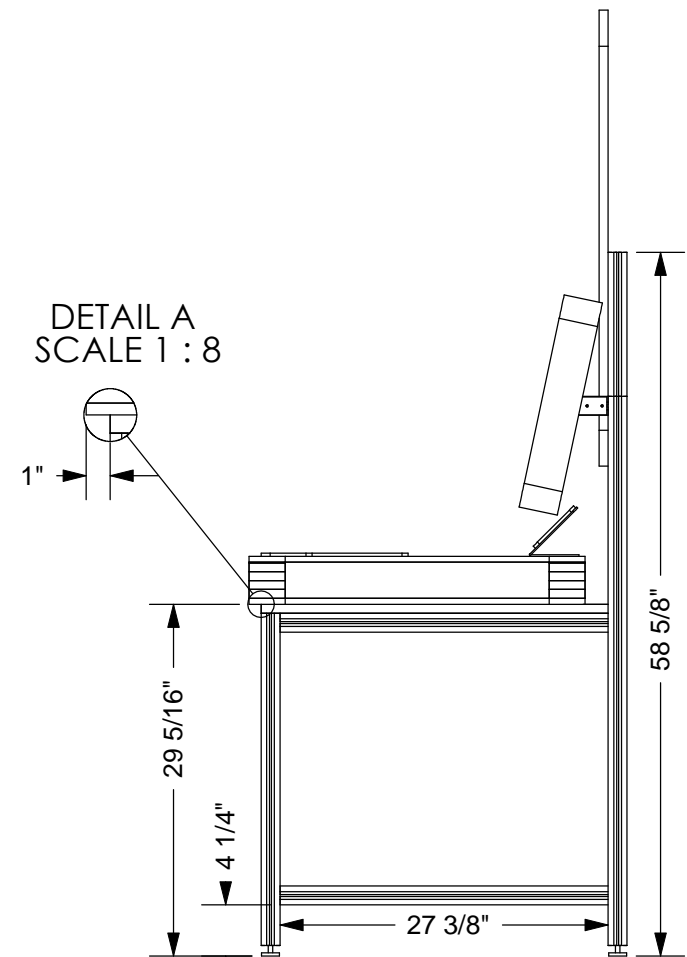
8 7 6 5 4 3 2 1

8 7 6 5 4 3 2 1

REVISIONS				
ZONE	REV.	DESCRIPTION	DATE	APPROVED



DETAIL A
SCALE 1 : 8



A



OREGON MUSEUM OF SCIENCE AND INDUSTRY
 1945 SE WATER AVENUE
 PORTLAND, OR 97214-3354
 PH: 503.797.4000
 FAX: 503.797.4500
PROPRIETARY AND CONFIDENTIAL
 THE INFORMATION CONTAINED IN THIS DRAWING IS THE SOLE
 PROPERTY OF OMSI. ANY REPRODUCTION IN PART OR AS A
 WHOLE WITHOUT THE WRITTEN PERMISSION OF OMSI IS PROHIBITED.

UNLESS OTHERWISE SPECIFIED:
 DIMENSIONS ARE IN INCHES
 TOLERANCES:
 FRACTIONAL ±1/32"
 ANGULAR: MACH ±0.25° BEND ±1°
 TWO PLACE DECIMAL ±0.03
 THREE PLACE DECIMAL ±0.005

SCALE:
1:24

SHEET:
1 OF 1

PROJECT:

Exhibits
Exhibits

DRAWING TITLE:
NANO_1.0&2.0_ASSY

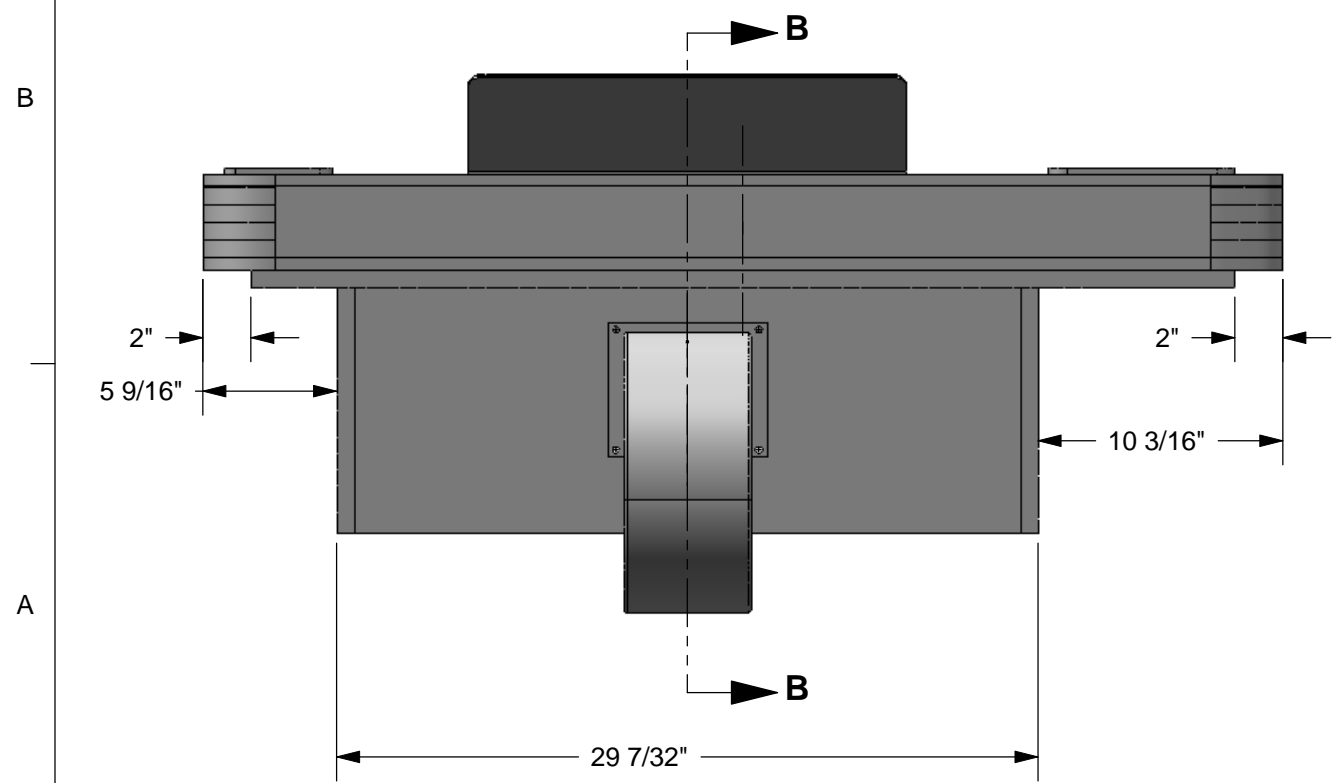
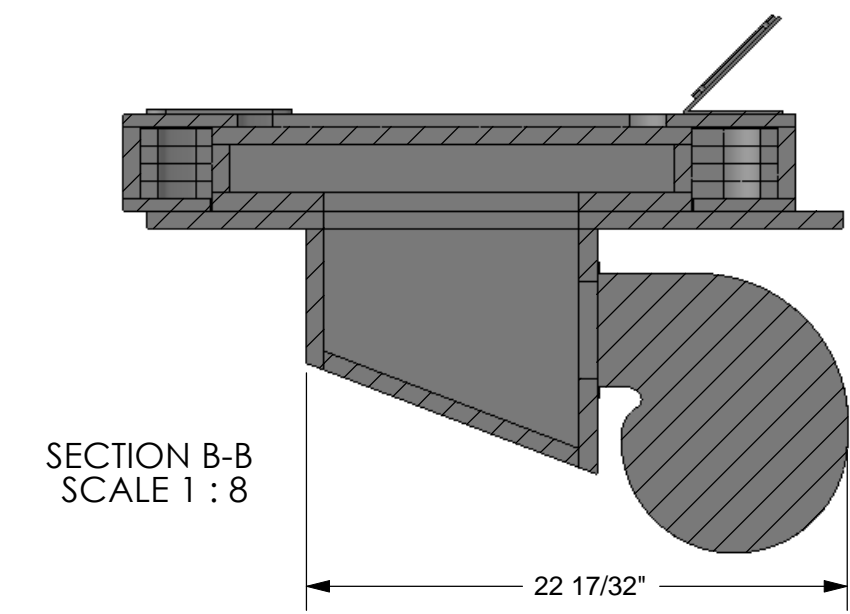
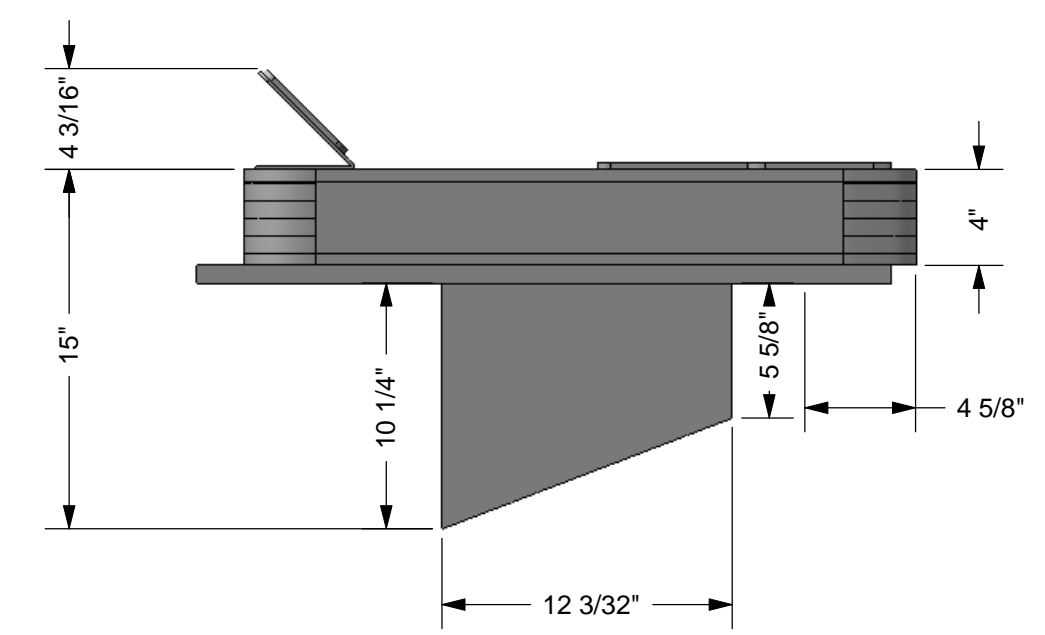
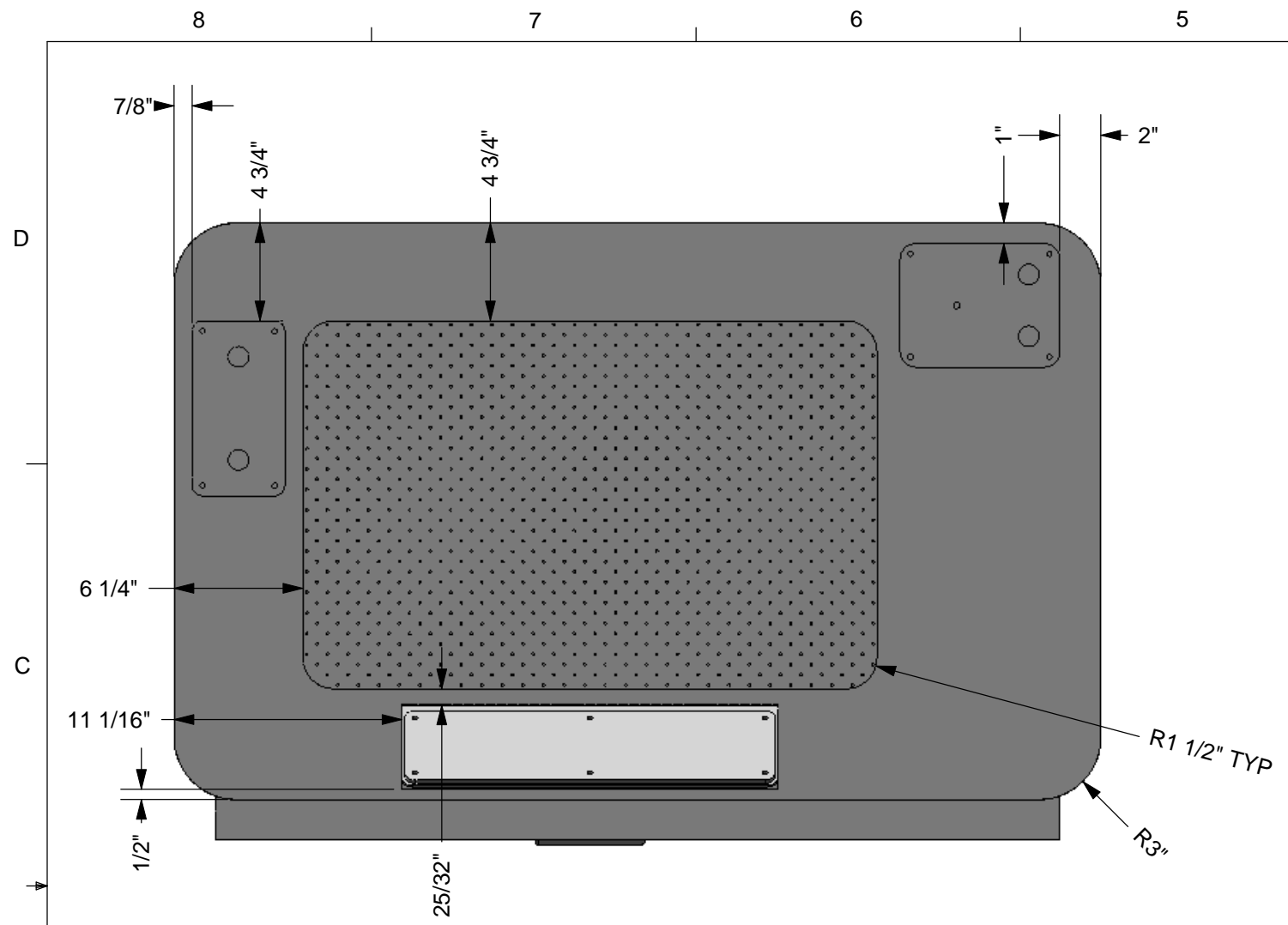
DRAWN BY:
C BRINTON


DATE:
7/2/2009

8 7 6 5 4 3 2 1

THE INFORMATION CONTAINED IN THIS DRAWING IS THE SOLE PROPERTY OF OMSI. ANY REPRODUCTION IN PART OR AS A WHOLE WITHOUT THE WRITTEN PERMISSION OF OMSI IS PROHIBITED. UNLESS OTHERWISE SPECIFIED: DIMENSIONS ARE IN INCHES. TOLERANCES: FRACTIONAL $\pm 1/32"$ ANGULAR: MACH $\pm 0.25^\circ$ BEND $\pm 1^\circ$ TWO PLACE DECIMAL ± 0.03 THREE PLACE DECIMAL ± 0.005

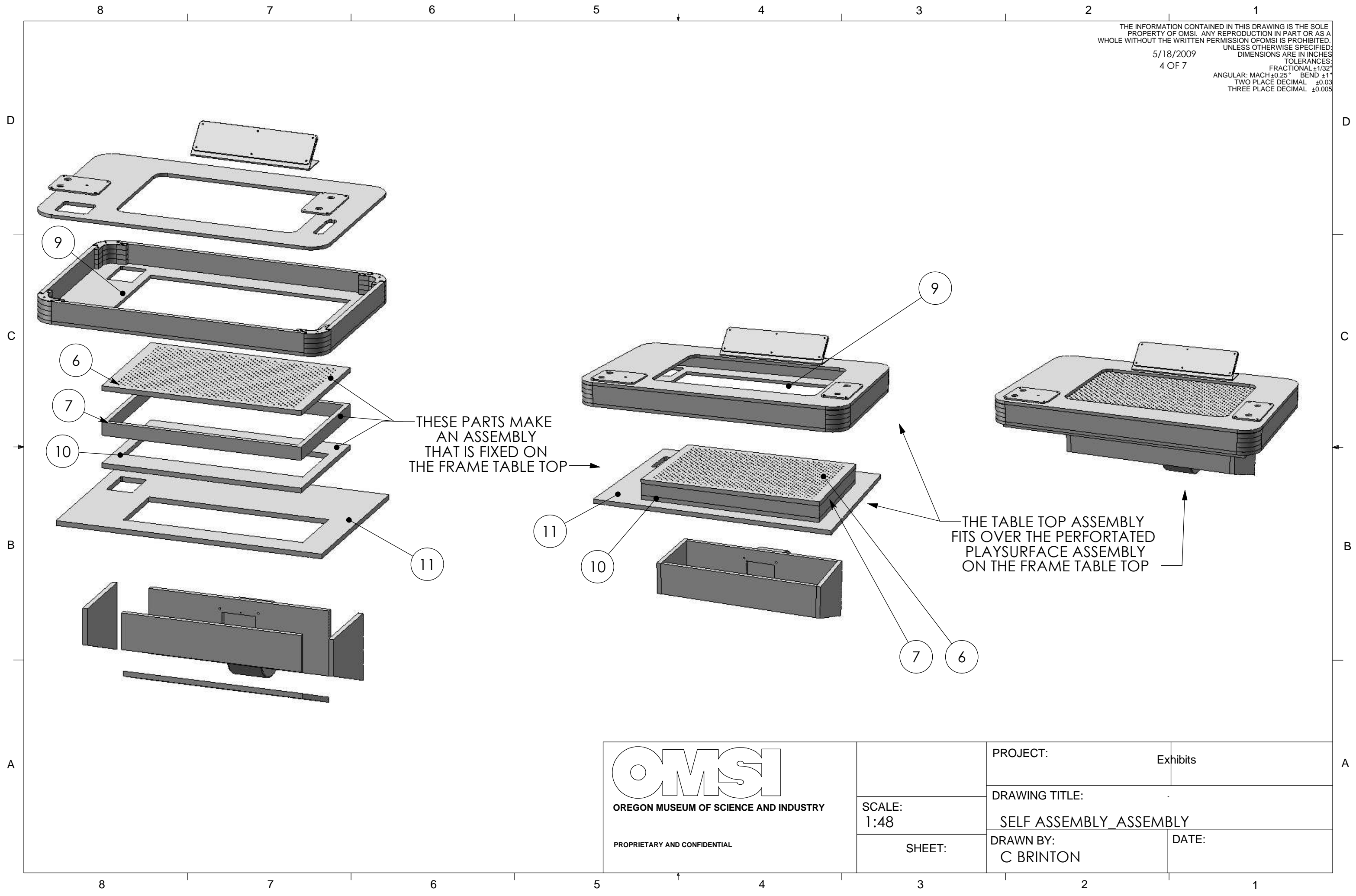
5/18/2009
3 OF 7




 OREGON MUSEUM OF SCIENCE AND INDUSTRY PROPRIETARY AND CONFIDENTIAL	SCALE: 1:48	PROJECT: Exhibits
	SHEET:	DRAWING TITLE: SELF ASSEMBLY ASSEMBLY
		DRAWN BY: C BRINTON

THE INFORMATION CONTAINED IN THIS DRAWING IS THE SOLE PROPERTY OF OMSI. ANY REPRODUCTION IN PART OR AS A WHOLE WITHOUT THE WRITTEN PERMISSION OF OMSI IS PROHIBITED. UNLESS OTHERWISE SPECIFIED: DIMENSIONS ARE IN INCHES. TOLERANCES: FRACTIONAL ±1/32" ANGULAR: MACH ±0.25° BEND ±1° TWO PLACE DECIMAL ±0.03 THREE PLACE DECIMAL ±0.005

5/18/2009
4 OF 7



 OREGON MUSEUM OF SCIENCE AND INDUSTRY PROPRIETARY AND CONFIDENTIAL	PROJECT: Exhibits
	DRAWING TITLE: SELF ASSEMBLY ASSEMBLY
	DRAWN BY: C BRINTON DATE:
SCALE: 1:48	
SHEET:	

THE INFORMATION CONTAINED IN THIS DRAWING IS THE SOLE PROPERTY OF OMSI. ANY REPRODUCTION IN PART OR AS A WHOLE WITHOUT THE WRITTEN PERMISSION OF OMSI IS PROHIBITED. UNLESS OTHERWISE SPECIFIED: DIMENSIONS ARE IN INCHES. TOLERANCES: FRACTIONAL $\pm 1/32"$ ANGULAR: MACH $\pm 0.25^\circ$ BEND $\pm 1^\circ$ TWO PLACE DECIMAL ± 0.03 THREE PLACE DECIMAL ± 0.005

5/18/2009
5 OF 7

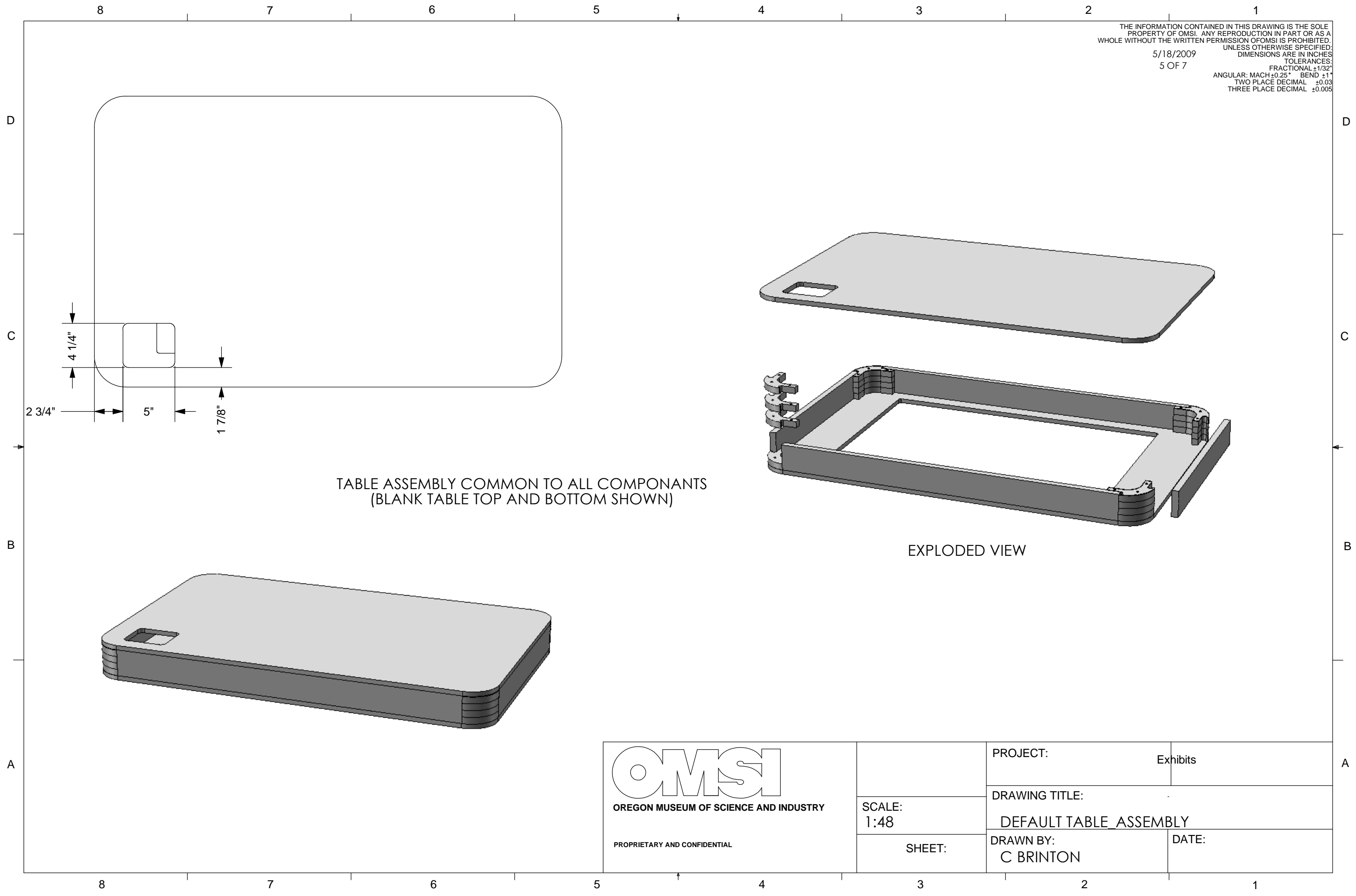

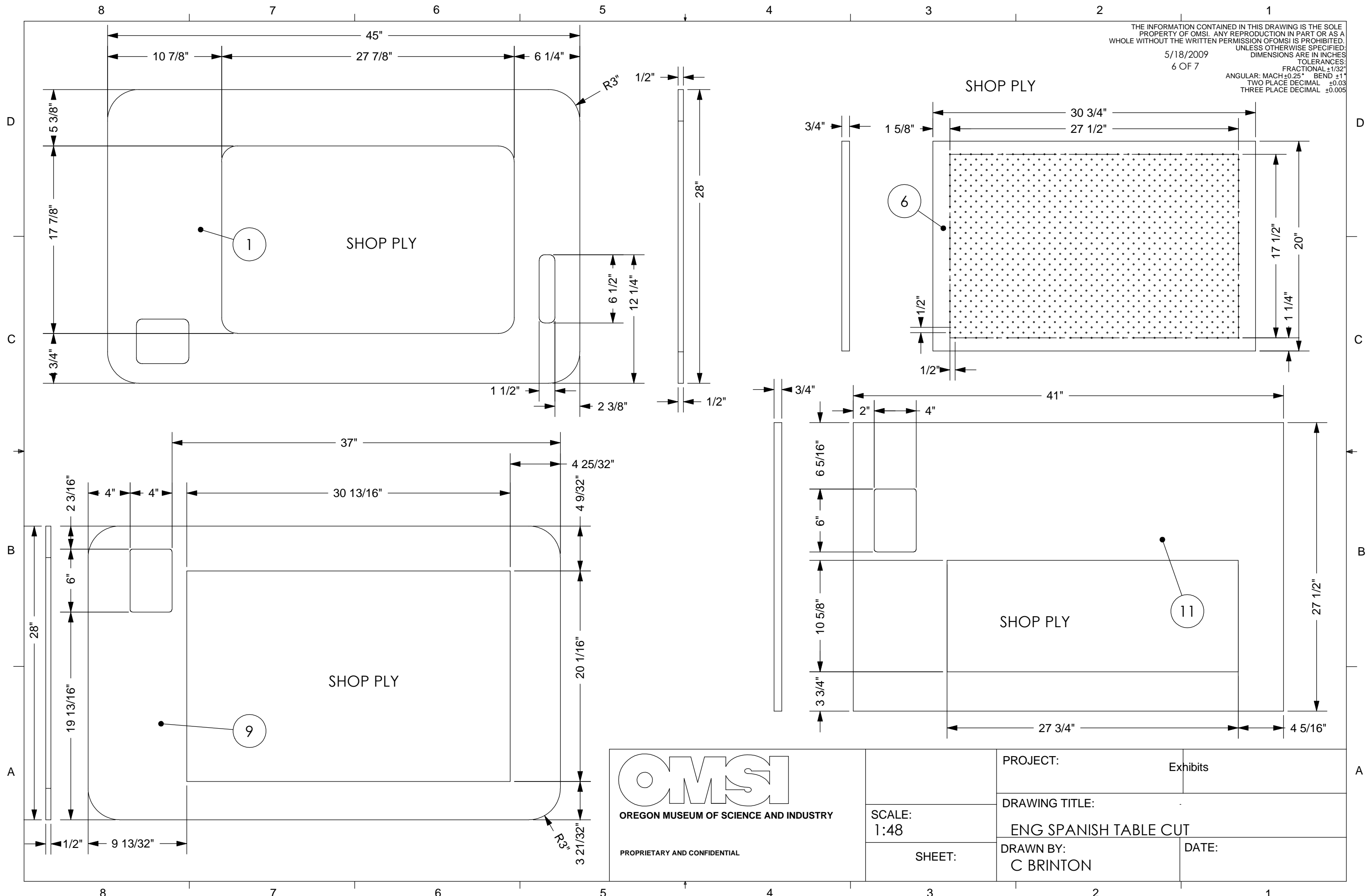


TABLE ASSEMBLY COMMON TO ALL COMPONENTS
(BLANK TABLE TOP AND BOTTOM SHOWN)

EXPLODED VIEW

 OREGON MUSEUM OF SCIENCE AND INDUSTRY PROPRIETARY AND CONFIDENTIAL	SCALE: 1:48	PROJECT: Exhibits
	SHEET:	DRAWING TITLE: DEFAULT TABLE ASSEMBLY
		DRAWN BY: C BRINTON

THE INFORMATION CONTAINED IN THIS DRAWING IS THE SOLE PROPERTY OF OMSI. ANY REPRODUCTION IN PART OR AS A WHOLE WITHOUT THE WRITTEN PERMISSION OF OMSI IS PROHIBITED.
 5/18/2009
 6 OF 7
 UNLESS OTHERWISE SPECIFIED:
 DIMENSIONS ARE IN INCHES
 TOLERANCES:
 FRACTIONAL ±1/32"
 ANGULAR: MACH ±0.25° BEND ±1°
 TWO PLACE DECIMAL ±0.03
 THREE PLACE DECIMAL ±0.005



OMSI
 OREGON MUSEUM OF SCIENCE AND INDUSTRY
 PROPRIETARY AND CONFIDENTIAL

SCALE: 1:48	PROJECT:	Exhibits
	DRAWING TITLE: ENG SPANISH TABLE CUT	
SHEET:	DRAWN BY: C BRINTON	DATE:

THE INFORMATION CONTAINED IN THIS DRAWING IS THE SOLE PROPERTY OF OMSI. ANY REPRODUCTION IN PART OR AS A WHOLE WITHOUT THE WRITTEN PERMISSION OF OMSI IS PROHIBITED. UNLESS OTHERWISE SPECIFIED: DIMENSIONS ARE IN INCHES. TOLERANCES: FRACTIONAL $\pm 1/32"$ ANGULAR: MACH $\pm 0.25^\circ$ BEND $\pm 1^\circ$ TWO PLACE DECIMAL ± 0.03 THREE PLACE DECIMAL ± 0.005

5/18/2009
7 OF 7

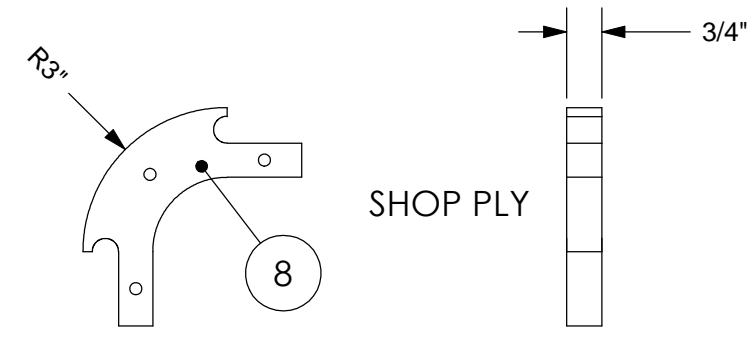
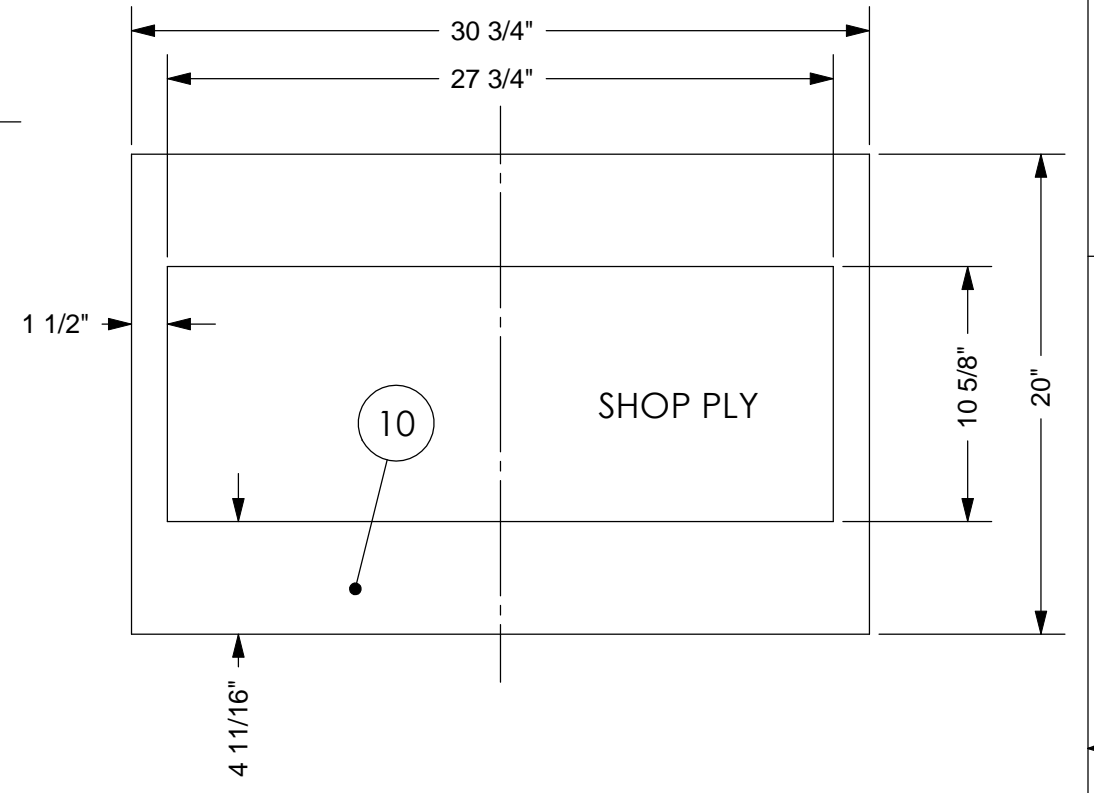
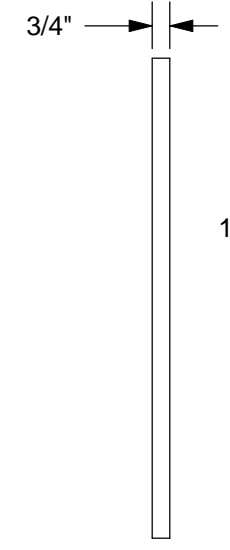
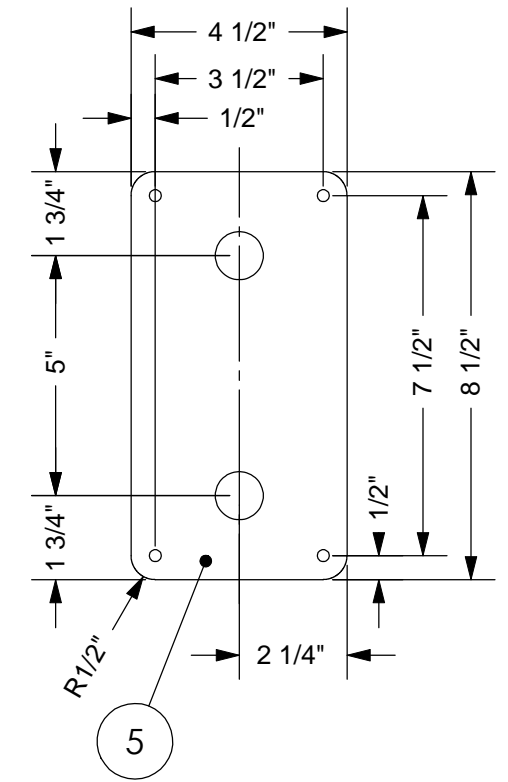
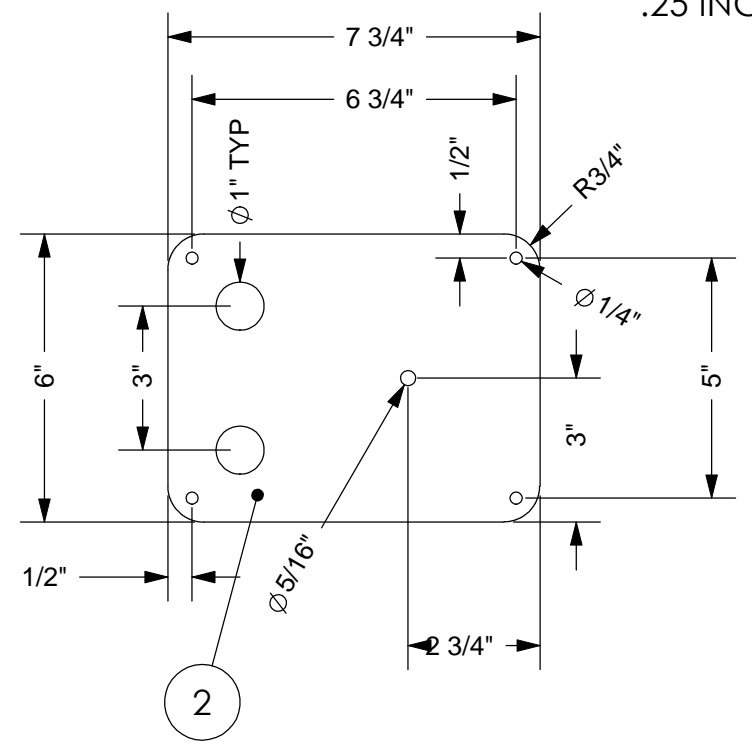
.25 INCH CLEAR ACRYLIC

D

C

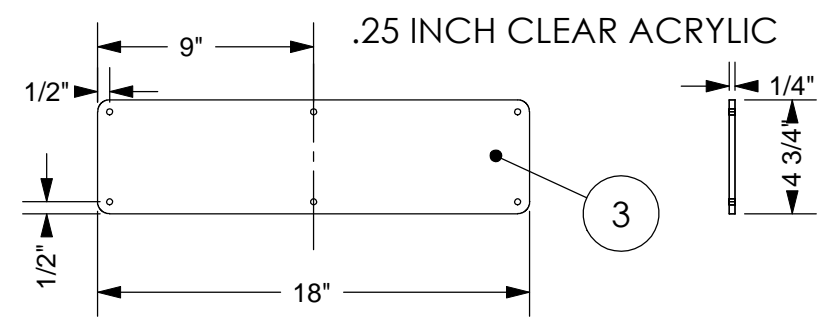
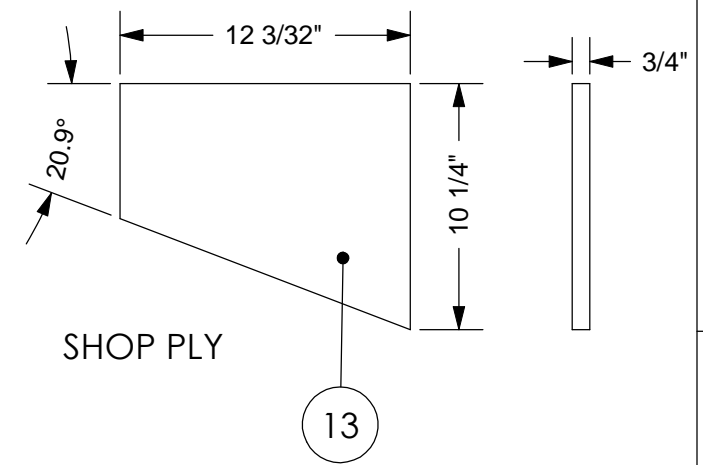
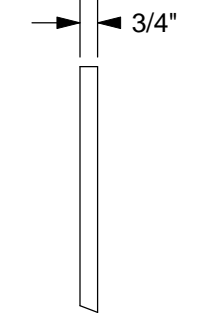
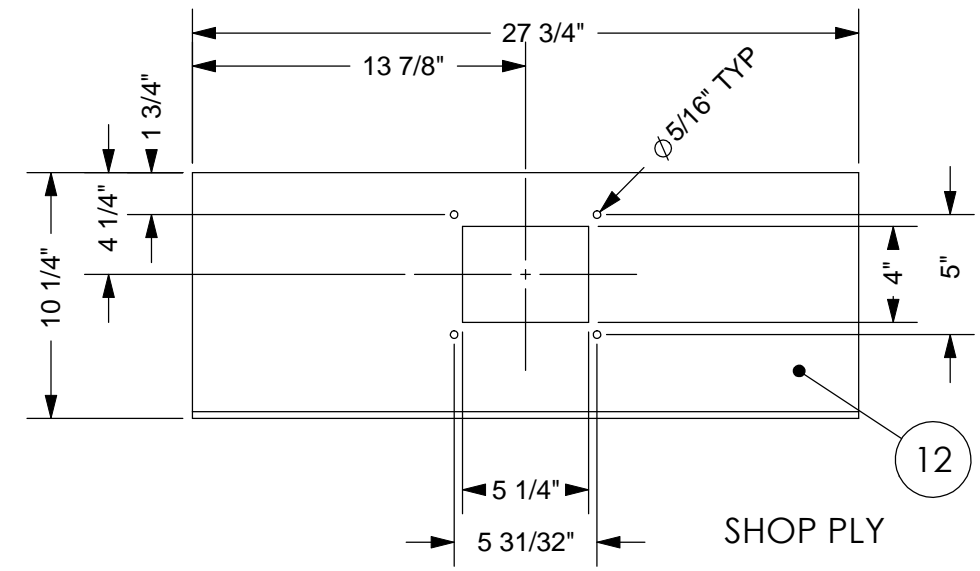
B

A

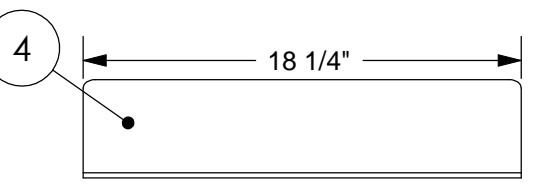
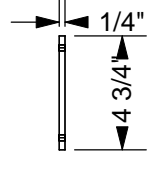


SHOP PLY

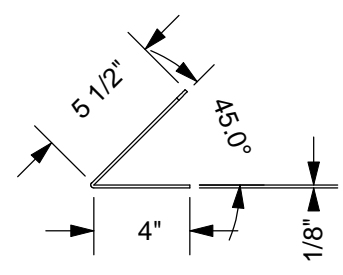
REFER TO CAD DATA FOR DIMENSIONS



.25 INCH CLEAR ACRYLIC



MATERIAL: MILD STEEL



OMSI
OREGON MUSEUM OF SCIENCE AND INDUSTRY
PROPRIETARY AND CONFIDENTIAL

SCALE:
1:48

SHEET:

PROJECT:	Exhibits
DRAWING TITLE:	Body183
DRAWN BY:	C BRINTON
DATE:	

8 7 6 5 4 3 2 1