

REVISIONS				
ZONE	REV.	DESCRIPTION	DATE	APPROVED

UNLESS OTHERWISE SPECIFIED:  
 DIMENSIONS ARE IN INCHES  
 TOLERANCES:  
 FRACTIONAL  $\pm 1/32"$   
 ANGULAR: MACH  $\pm 0.25^\circ$  BEND  $\pm 1^\circ$   
 TWO PLACE DECIMAL  $\pm 0.03$   
 THREE PLACE DECIMAL  $\pm 0.005$

**OMSI**  
**OREGON MUSEUM OF SCIENCE AND INDUSTRY**  
 1945 SE WATER AVENUE  
 PORTLAND, OR 97214-3354  
 PH: 503.797.4000  
 FAX: 503.797.4500  
**PROPRIETARY AND CONFIDENTIAL**  
 THE INFORMATION CONTAINED IN THIS DRAWING IS THE SOLE  
 PROPERTY OF OMSI. ANY REPRODUCTION IN PART OR AS A  
 WHOLE WITHOUT THE WRITTEN PERMISSION OF OMSI IS PROHIBITED.

SCALE:  
 1:24

SHEET:  
 1 OF 11

PROJECT:  
 Exhibits  
 Exhibits

DRAWING TITLE:  
 SPLIT BILLION&INTRO

DRAWN BY:  
 C BRINTON

DATE:  
 5/18/2009

8

7

6

5

4

3

2

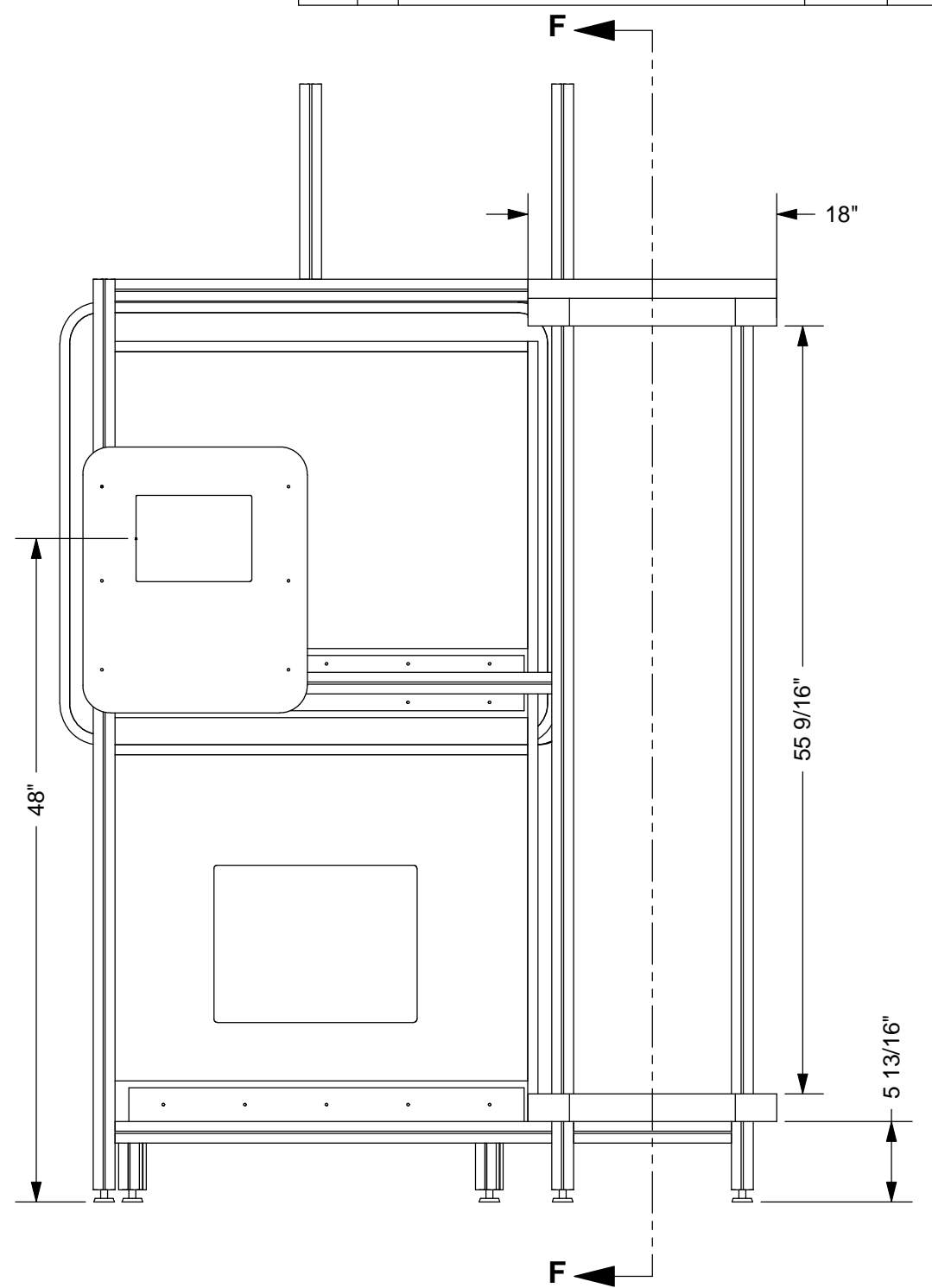
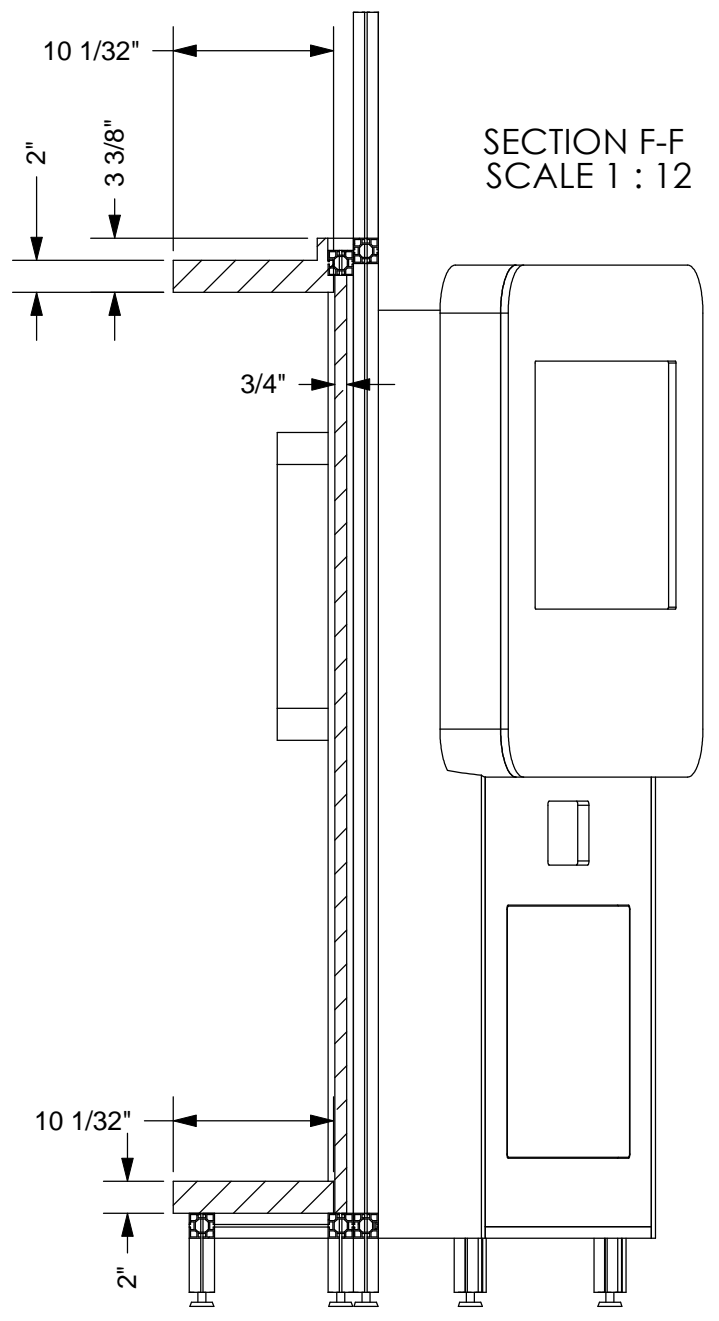
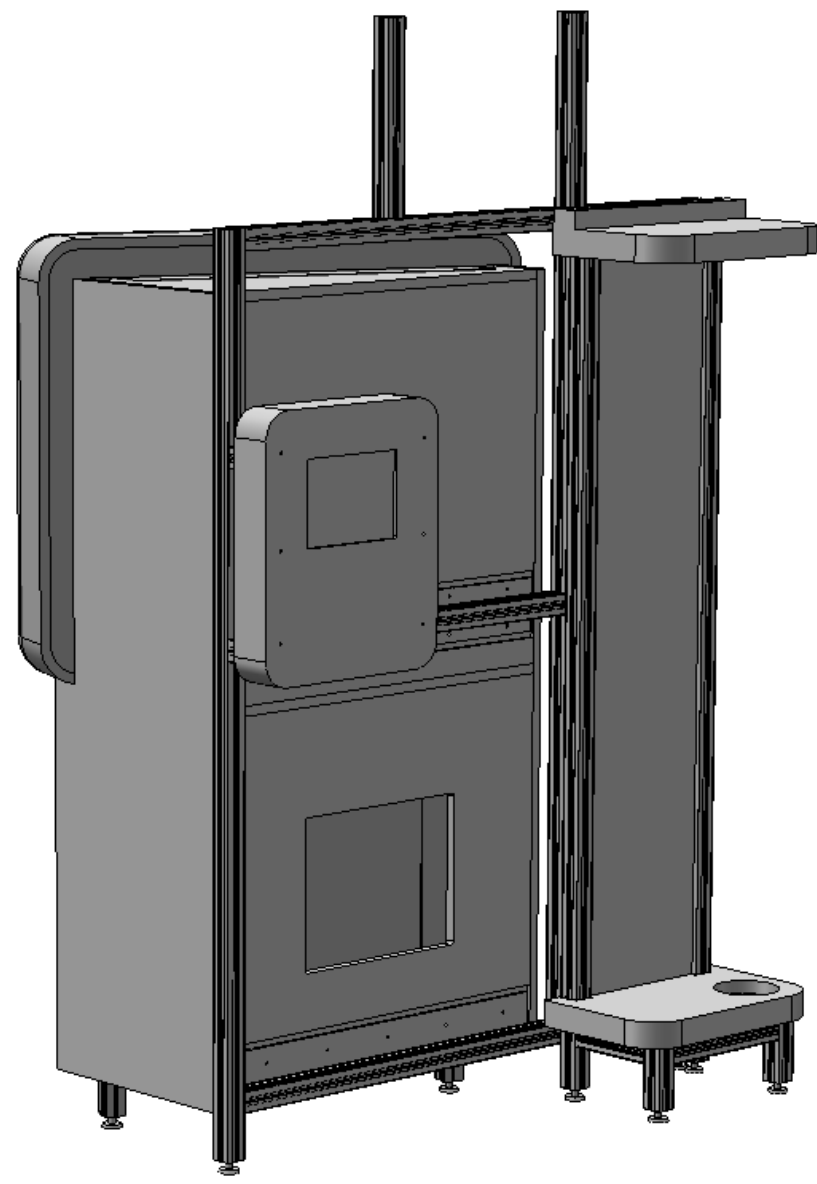
1

**BILLION BEADS 2.0**  
 NOT FOR PRODUCTION  
 REVIEW WITH TODD  
 5-5-09

REVISIONS				
ZONE	REV.	DESCRIPTION	DATE	APPROVED

D  
C  
B  
A

D  
C  
B  
A



**OMSI**  
**OREGON MUSEUM OF SCIENCE AND INDUSTRY**  
 1945 SE WATER AVENUE  
 PORTLAND, OR 97214-3354  
 PH: 503.797.4000  
 FAX: 503.797.4500  
**PROPRIETARY AND CONFIDENTIAL**  
 THE INFORMATION CONTAINED IN THIS DRAWING IS THE SOLE  
 PROPERTY OF OMSI. ANY REPRODUCTION IN PART OR AS A  
 WHOLE WITHOUT THE WRITTEN PERMISSION OF OMSI IS PROHIBITED.

UNLESS OTHERWISE SPECIFIED:  
 DIMENSIONS ARE IN INCHES  
 TOLERANCES:  
 FRACTIONAL ±1/32"  
 ANGULAR: MACH ±0.25° BEND ±1°  
 TWO PLACE DECIMAL ±0.03  
 THREE PLACE DECIMAL ±0.005

SCALE:  
 1:24

SHEET:  
 2 OF 11

PROJECT:

DRAWING TITLE:  
 SPLIT BILLION&INTRO

DRAWN BY:

DIVISION-SOURCE:

DATE:  
 5/18/2009

8

7

6

5

4

3

2

1

REVISIONS				
ZONE	REV.	DESCRIPTION	DATE	APPROVED

SECTION A-A  
SCALE 1 : 8

SECTION B-B  
SCALE 1 : 8

D

D

C

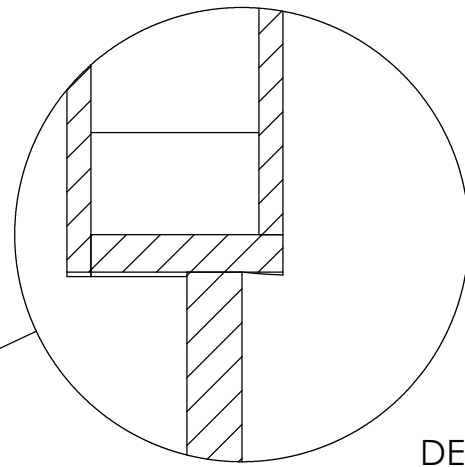
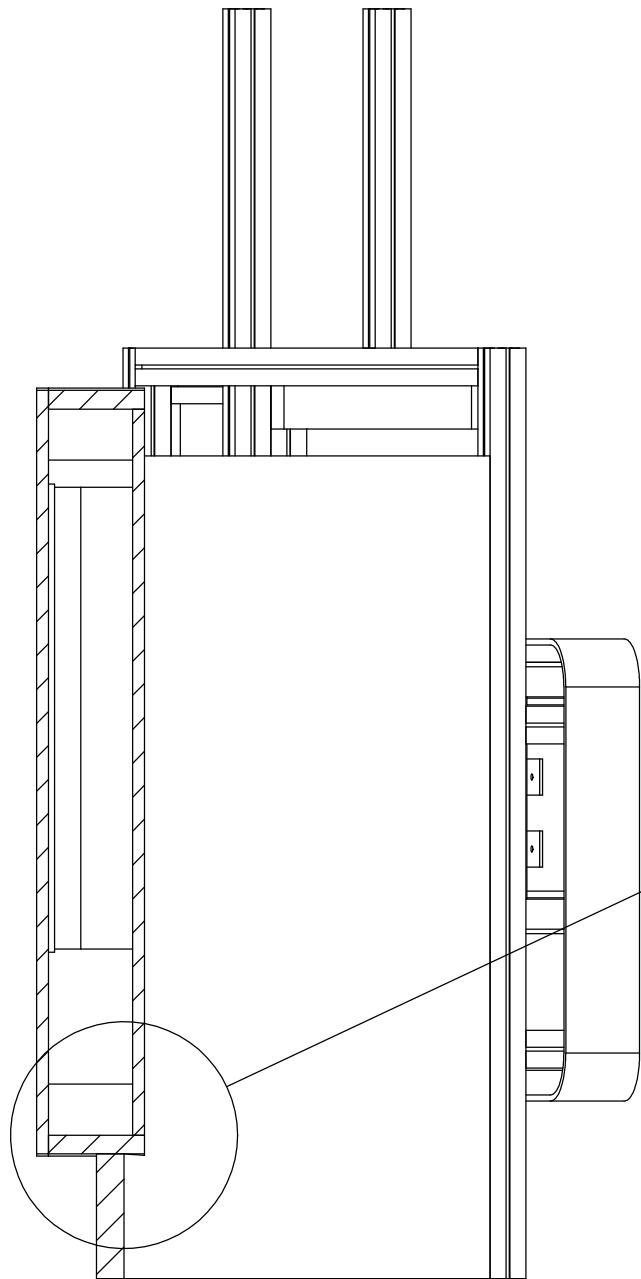
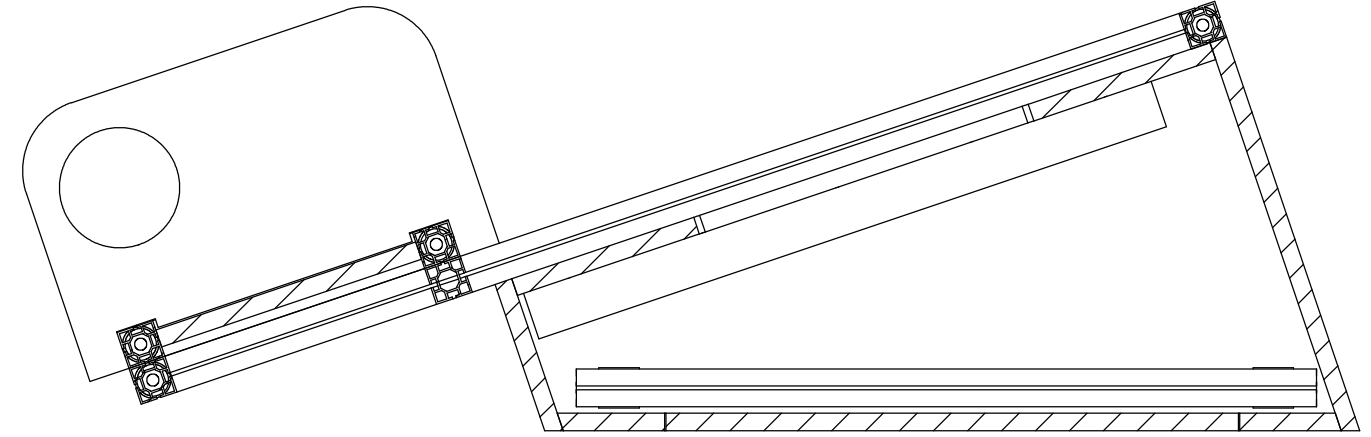
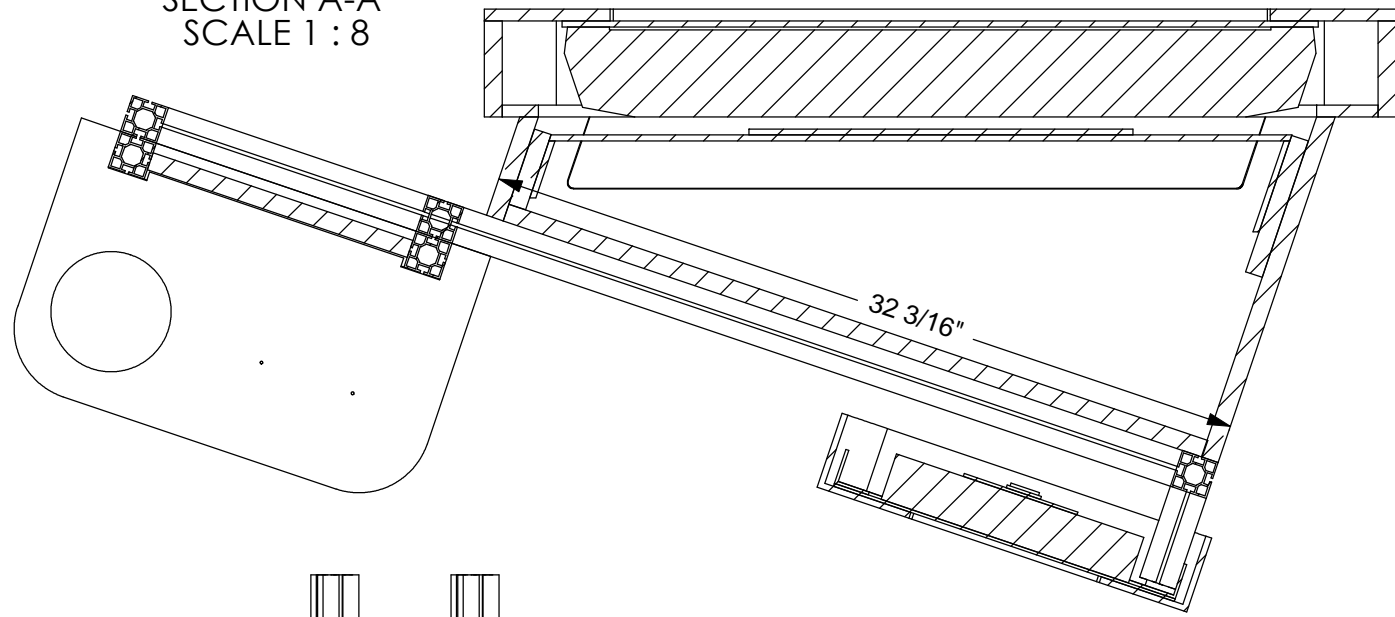
C

B

B

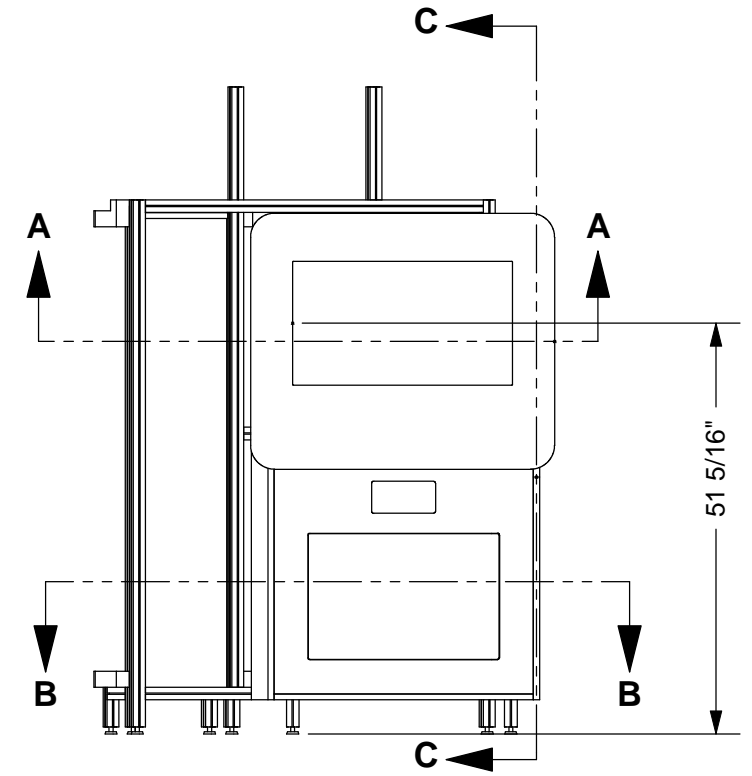
A

A



DETAIL D  
SCALE 1 : 4

SECTION C-C  
SCALE 1 : 8



**OMSI**  
**OREGON MUSEUM OF SCIENCE AND INDUSTRY**  
 1945 SE WATER AVENUE  
 PORTLAND, OR 97214-3354  
 PH: 503.797.4000  
 FAX: 503.797.4500  
**PROPRIETARY AND CONFIDENTIAL**  
 THE INFORMATION CONTAINED IN THIS DRAWING IS THE SOLE  
 PROPERTY OF OMSI. ANY REPRODUCTION IN PART OR AS A  
 WHOLE WITHOUT THE WRITTEN PERMISSION OF OMSI IS PROHIBITED.

UNLESS OTHERWISE SPECIFIED:  
 DIMENSIONS ARE IN INCHES  
 TOLERANCES:  
 FRACTIONAL ±1/32"  
 ANGULAR: MACH ±0.25° BEND ±1°  
 TWO PLACE DECIMAL ±0.03  
 THREE PLACE DECIMAL ±0.005

SCALE:  
 1:24

SHEET:  
 3 OF 11

PROJECT:

DIVISION-SOURCE:

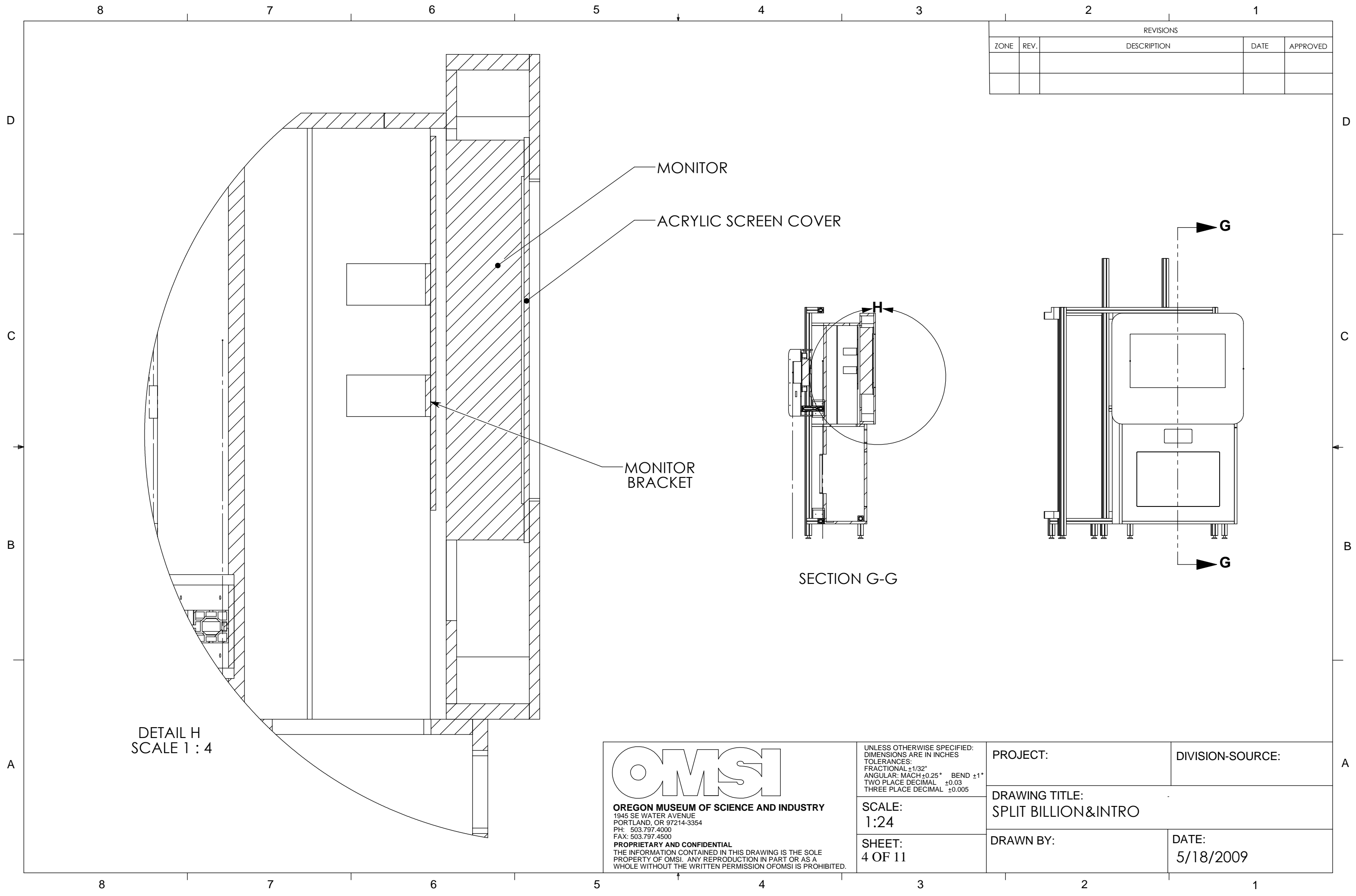
DRAWING TITLE:  
 SPLIT BILLION&INTRO

DRAWN BY:

DATE:  
 5/18/2009

8 7 6 5 4 3 2 1

REVISIONS				
ZONE	REV.	DESCRIPTION	DATE	APPROVED



DETAIL H  
SCALE 1 : 4



**OREGON MUSEUM OF SCIENCE AND INDUSTRY**  
 1945 SE WATER AVENUE  
 PORTLAND, OR 97214-3354  
 PH: 503.797.4000  
 FAX: 503.797.4500  
**PROPRIETARY AND CONFIDENTIAL**  
 THE INFORMATION CONTAINED IN THIS DRAWING IS THE SOLE  
 PROPERTY OF OMSI. ANY REPRODUCTION IN PART OR AS A  
 WHOLE WITHOUT THE WRITTEN PERMISSION OF OMSI IS PROHIBITED.

UNLESS OTHERWISE SPECIFIED:  
 DIMENSIONS ARE IN INCHES  
 TOLERANCES:  
 FRACTIONAL  $\pm 1/32"$   
 ANGULAR: MACH  $\pm 0.25^\circ$  BEND  $\pm 1^\circ$   
 TWO PLACE DECIMAL  $\pm 0.03$   
 THREE PLACE DECIMAL  $\pm 0.005$

SCALE:  
1:24

SHEET:  
4 OF 11

PROJECT:

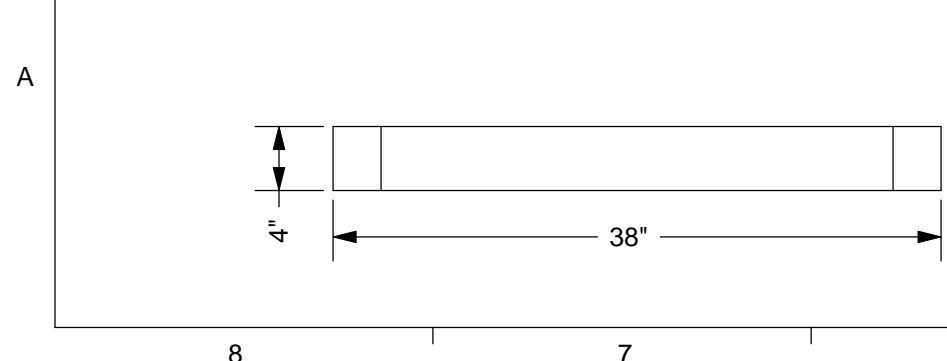
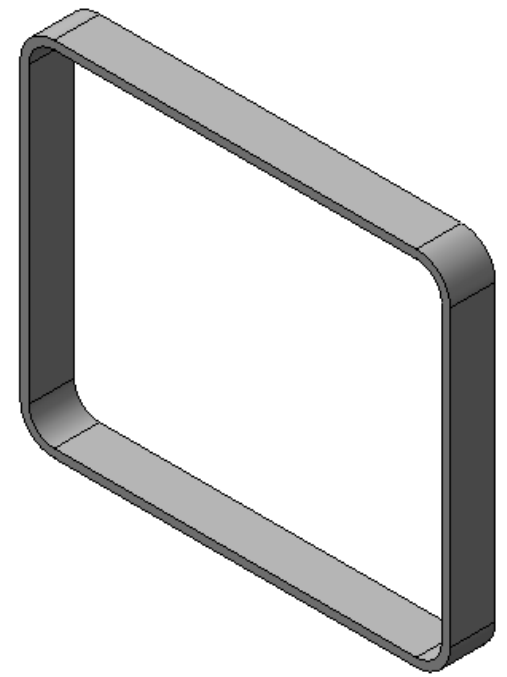
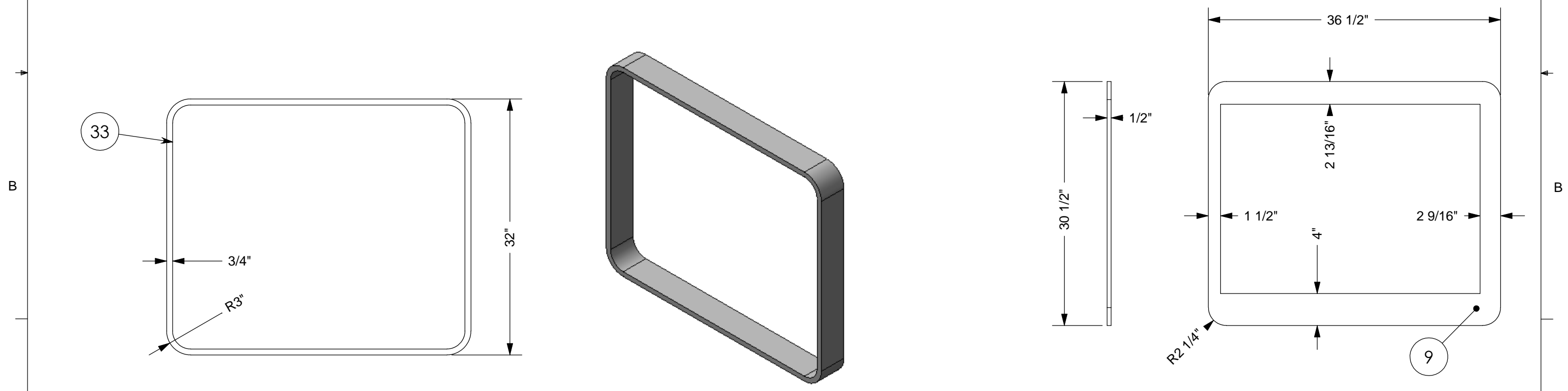
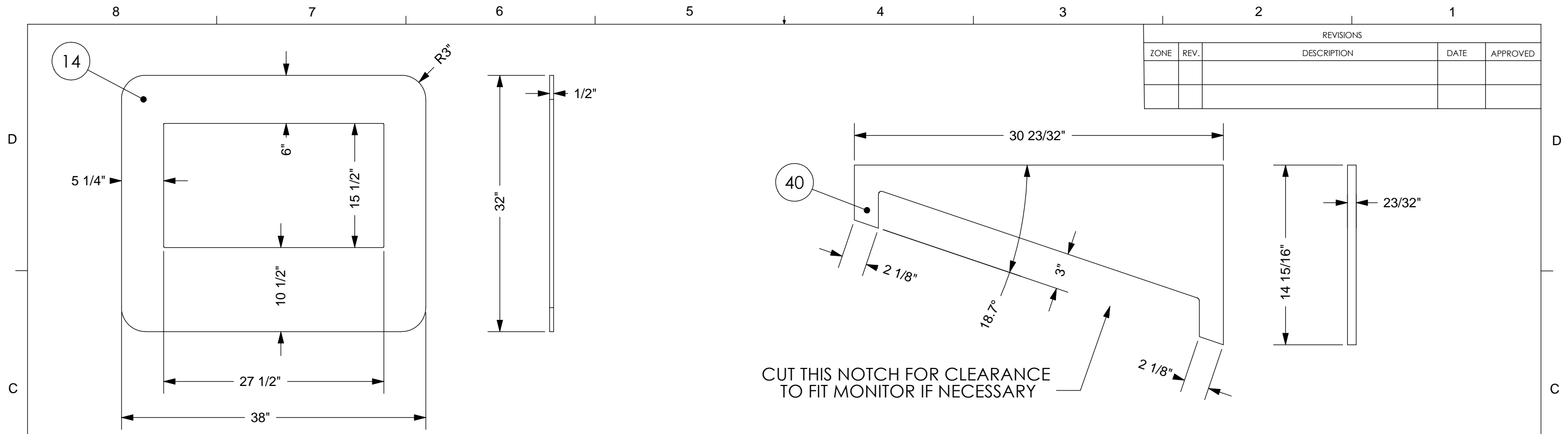
DRAWING TITLE:  
SPLIT BILLION&INTRO

DRAWN BY:

DIVISION-SOURCE:

DATE:  
5/18/2009

REVISIONS				
ZONE	REV.	DESCRIPTION	DATE	APPROVED



**OMSI**  
**OREGON MUSEUM OF SCIENCE AND INDUSTRY**  
 1945 SE WATER AVENUE  
 PORTLAND, OR 97214-3354  
 PH: 503.797.4000  
 FAX: 503.797.4500  
**PROPRIETARY AND CONFIDENTIAL**  
 THE INFORMATION CONTAINED IN THIS DRAWING IS THE SOLE PROPERTY OF OMSI. ANY REPRODUCTION IN PART OR AS A WHOLE WITHOUT THE WRITTEN PERMISSION OF OMSI IS PROHIBITED.

UNLESS OTHERWISE SPECIFIED:  
 DIMENSIONS ARE IN INCHES  
 TOLERANCES:  
 FRACTIONAL ±1/32"  
 ANGULAR: MACH ±0.25° BEND ±1°  
 TWO PLACE DECIMAL ±0.03  
 THREE PLACE DECIMAL ±0.005

SCALE:  
 1:24

SHEET:  
 5 OF 11

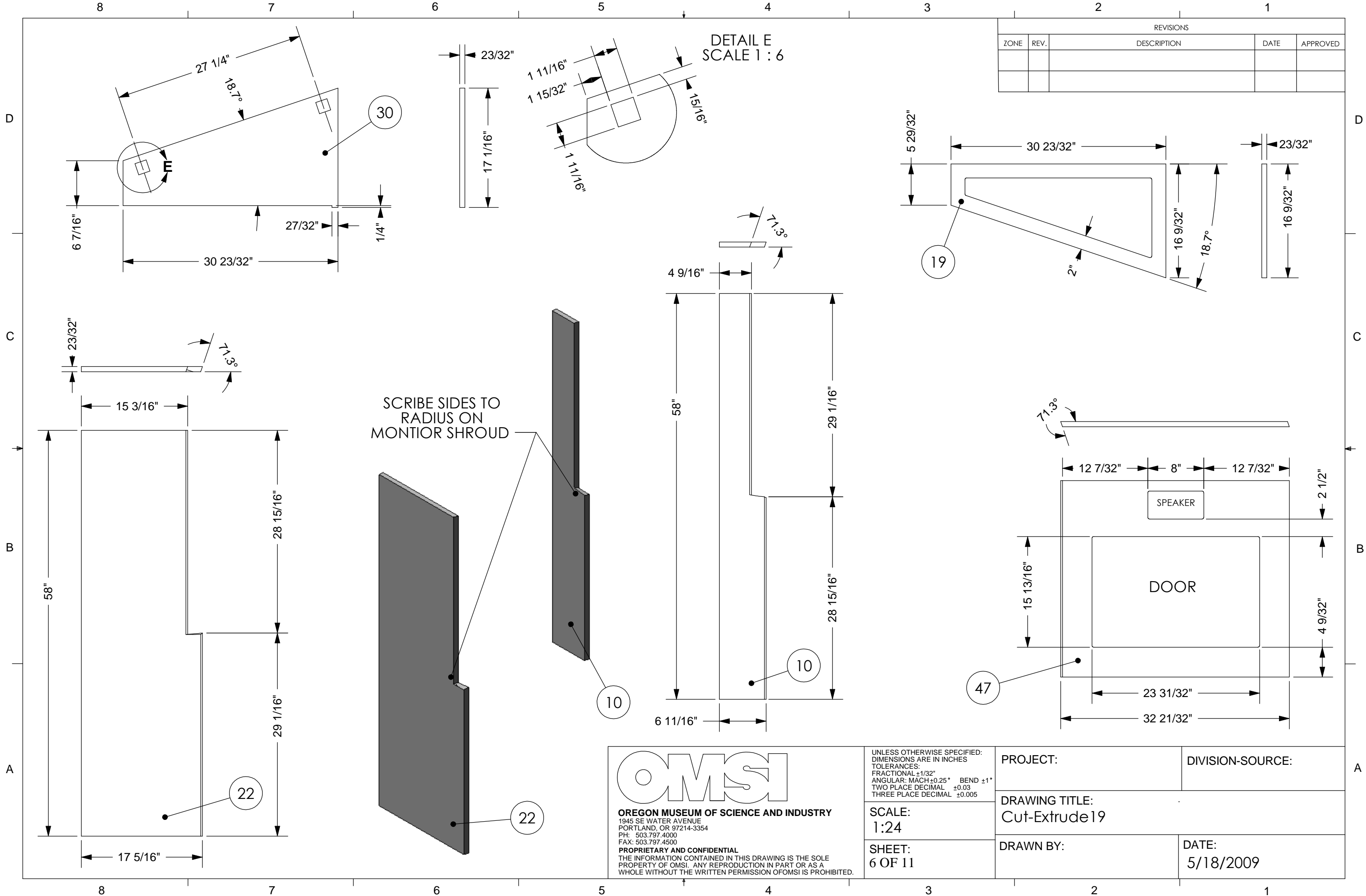
PROJECT:

DIVISION-SOURCE:

DRAWING TITLE:  
 Cut-Extrude2

DRAWN BY:

DATE:  
 5/18/2009



REVISIONS				
ZONE	REV.	DESCRIPTION	DATE	APPROVED

DETAIL E  
SCALE 1 : 6

SCRIBE SIDES TO  
RADIUS ON  
MONTIOR SHROUD

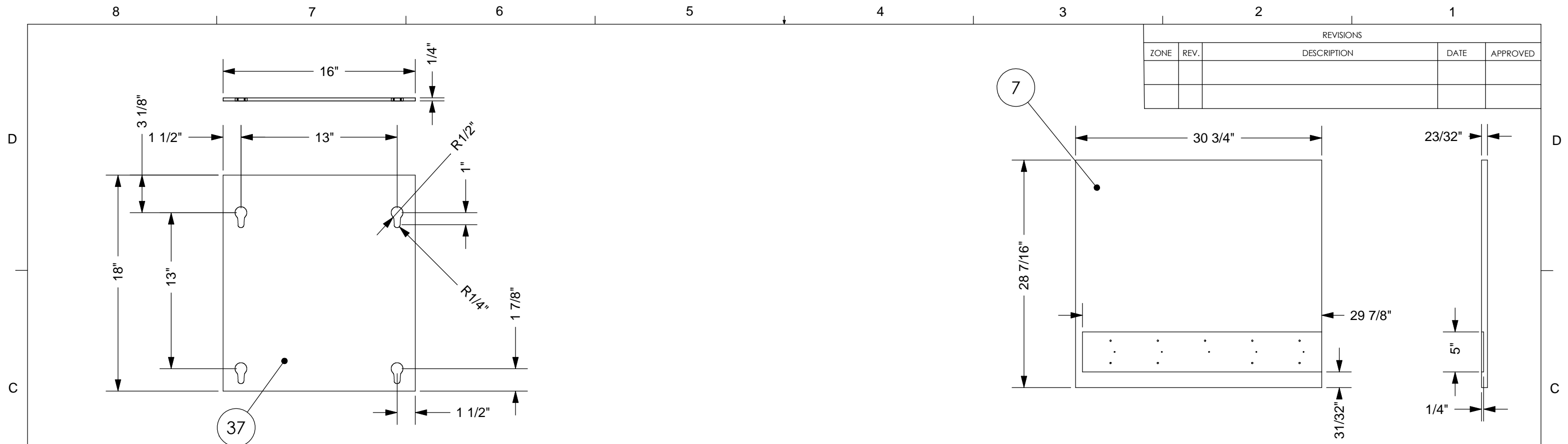
UNLESS OTHERWISE SPECIFIED:  
DIMENSIONS ARE IN INCHES  
TOLERANCES:  
FRACTIONAL ±1/32"  
ANGULAR: MACH ±0.25° BEND ±1°  
TWO PLACE DECIMAL ±0.03  
THREE PLACE DECIMAL ±0.005

**OMSI**  
**OREGON MUSEUM OF SCIENCE AND INDUSTRY**  
 1945 SE WATER AVENUE  
 PORTLAND, OR 97214-3354  
 PH: 503.797.4000  
 FAX: 503.797.4500  
**PROPRIETARY AND CONFIDENTIAL**  
 THE INFORMATION CONTAINED IN THIS DRAWING IS THE SOLE  
 PROPERTY OF OMSI. ANY REPRODUCTION IN PART OR AS A  
 WHOLE WITHOUT THE WRITTEN PERMISSION OF OMSI IS PROHIBITED.

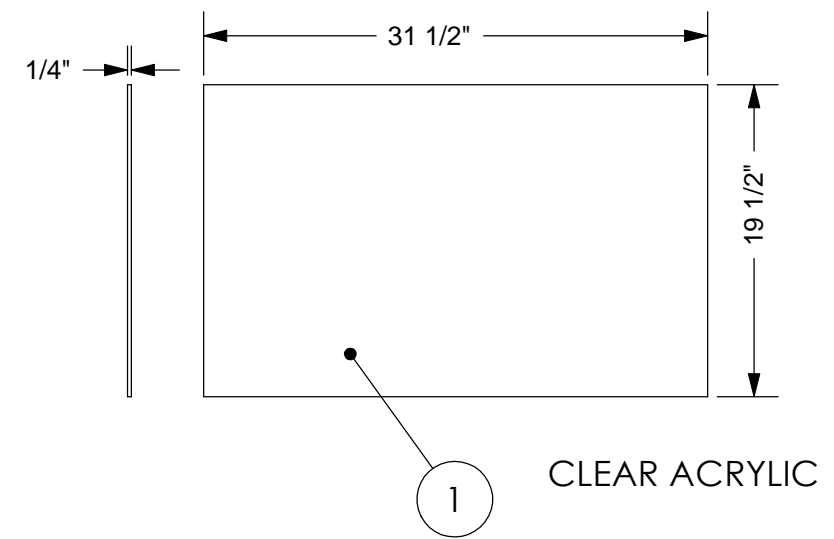
SCALE:  
1:24  
  
SHEET:  
6 OF 11

PROJECT:	DIVISION-SOURCE:
DRAWING TITLE: Cut-Extrude19	
DRAWN BY:	DATE: 5/18/2009

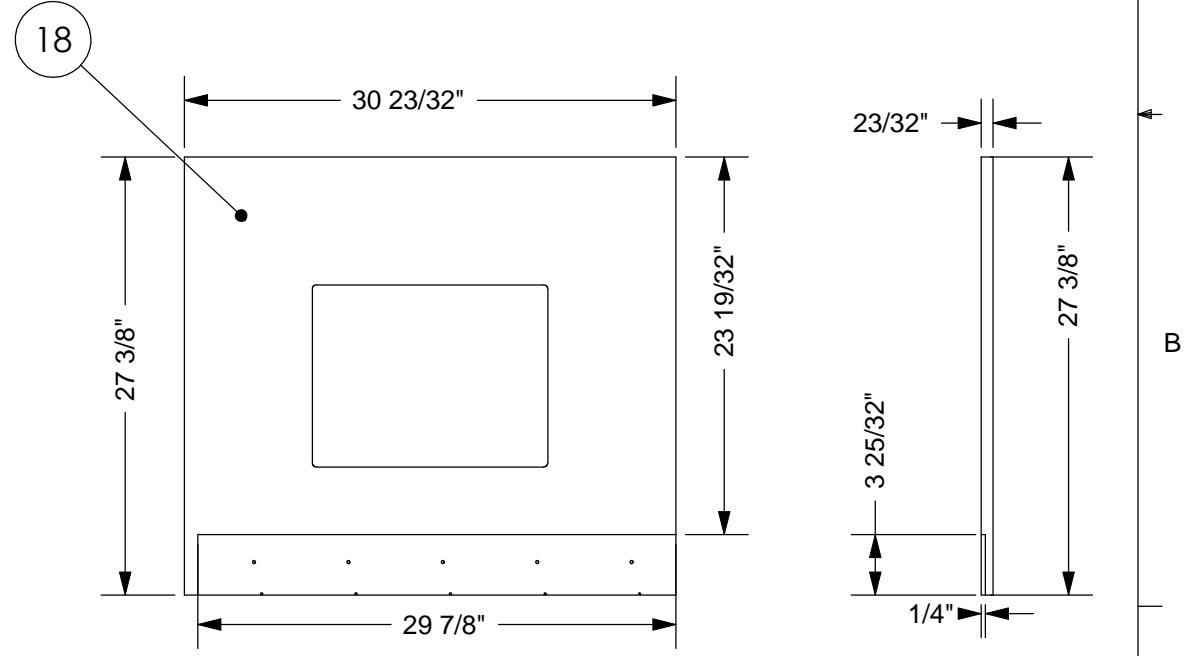
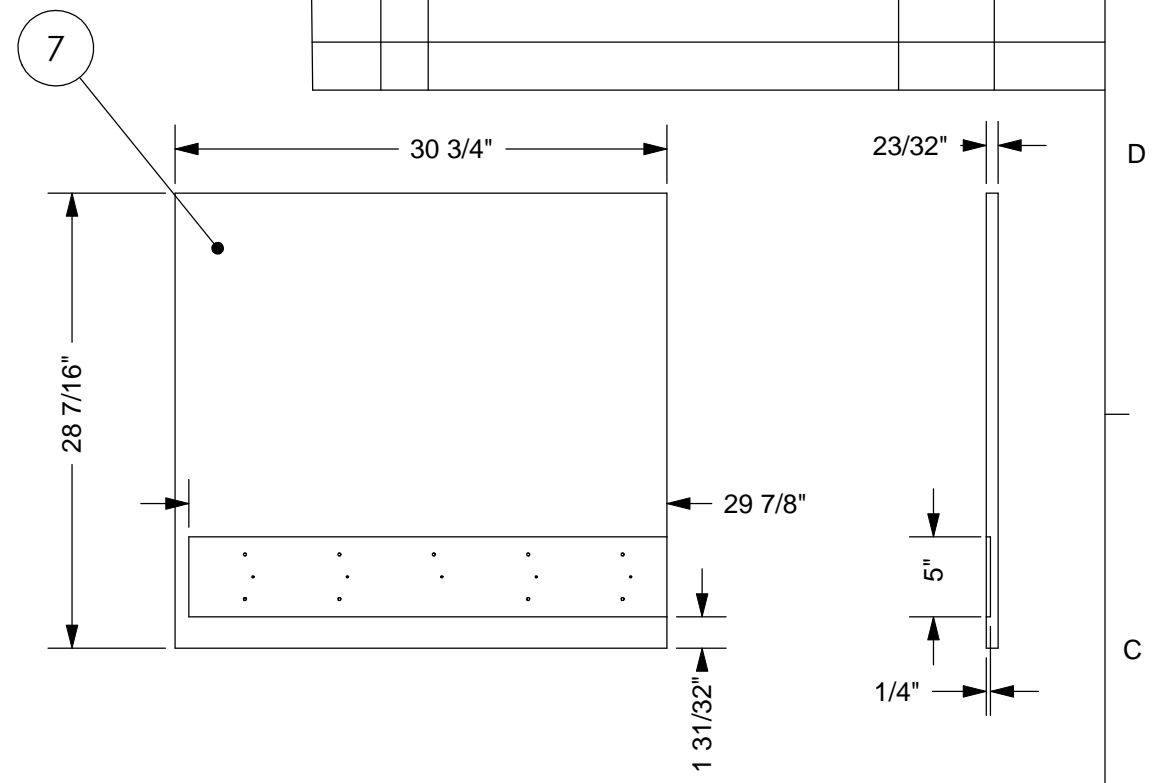
REVISIONS				
ZONE	REV.	DESCRIPTION	DATE	APPROVED



STEEL PLATE



CLEAR ACRYLIC



**OMSI**  
**OREGON MUSEUM OF SCIENCE AND INDUSTRY**  
 1945 SE WATER AVENUE  
 PORTLAND, OR 97214-3354  
 PH: 503.797.4000  
 FAX: 503.797.4500  
**PROPRIETARY AND CONFIDENTIAL**  
 THE INFORMATION CONTAINED IN THIS DRAWING IS THE SOLE  
 PROPERTY OF OMSI. ANY REPRODUCTION IN PART OR AS A  
 WHOLE WITHOUT THE WRITTEN PERMISSION OF OMSI IS PROHIBITED.

UNLESS OTHERWISE SPECIFIED:  
 DIMENSIONS ARE IN INCHES  
 TOLERANCES:  
 FRACTIONAL ±1/32"  
 ANGULAR: MACH ±0.25° BEND ±1°  
 TWO PLACE DECIMAL ±0.03  
 THREE PLACE DECIMAL ±0.005

SCALE:  
 1:24

SHEET:  
 7 OF 11

PROJECT:

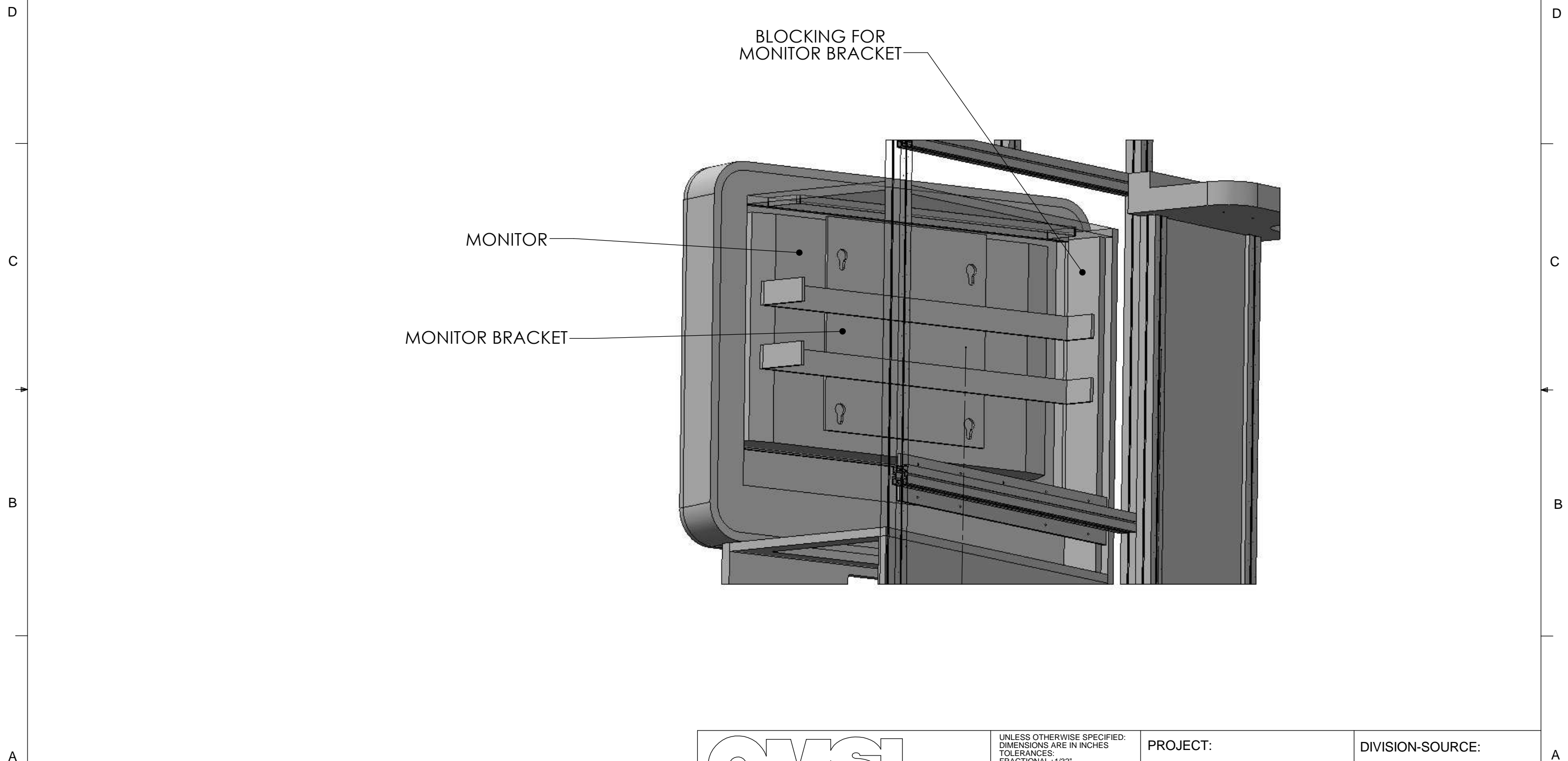
DRAWING TITLE:  
 Cut-Extrude25[1]


DRAWN BY:

DIVISION-SOURCE:

DATE:  
 5/18/2009

REVISIONS				
ZONE	REV.	DESCRIPTION	DATE	APPROVED



 <b>OREGON MUSEUM OF SCIENCE AND INDUSTRY</b> 1945 SE WATER AVENUE PORTLAND, OR 97214-3354 PH: 503.797.4000 FAX: 503.797.4500 <b>PROPRIETARY AND CONFIDENTIAL</b> THE INFORMATION CONTAINED IN THIS DRAWING IS THE SOLE PROPERTY OF OMSI. ANY REPRODUCTION IN PART OR AS A WHOLE WITHOUT THE WRITTEN PERMISSION OF OMSI IS PROHIBITED.	UNLESS OTHERWISE SPECIFIED: DIMENSIONS ARE IN INCHES TOLERANCES: FRACTIONAL $\pm 1/32"$ ANGULAR: MACH $\pm 0.25^\circ$ BEND $\pm 1^\circ$ TWO PLACE DECIMAL $\pm 0.03$ THREE PLACE DECIMAL $\pm 0.005$	PROJECT:	DIVISION-SOURCE:
	SCALE: 1:24	DRAWING TITLE: SPLIT BILLION&INTRO	
	SHEET: 8 OF 11	DRAWN BY:	DATE: 5/18/2009

8 7 6 5 4 3 2 1

D  
C  
B  
A

D  
C  
B  
A

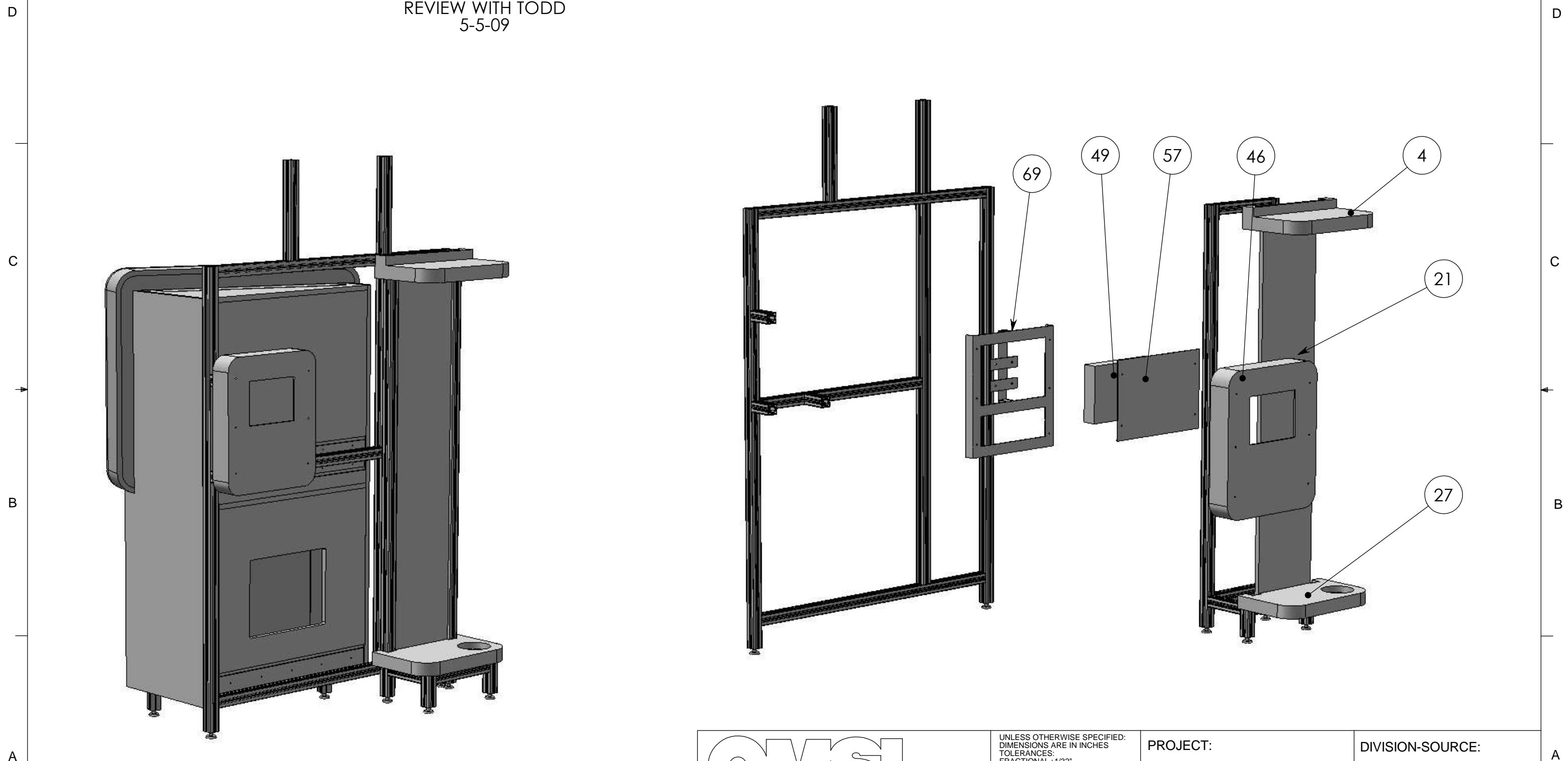
8 7 6 5 4 3 2 1



8 7 6 5 4 3 2 1

REVISIONS				
ZONE	REV.	DESCRIPTION	DATE	APPROVED

NOT FOR PRODUCTION  
 REVIEW WITH TODD  
 5-5-09



A

A

**OMSI**  
**OREGON MUSEUM OF SCIENCE AND INDUSTRY**  
 1945 SE WATER AVENUE  
 PORTLAND, OR 97214-3354  
 PH: 503.797.4000  
 FAX: 503.797.4500  
**PROPRIETARY AND CONFIDENTIAL**  
 THE INFORMATION CONTAINED IN THIS DRAWING IS THE SOLE  
 PROPERTY OF OMSI. ANY REPRODUCTION IN PART OR AS A  
 WHOLE WITHOUT THE WRITTEN PERMISSION OF OMSI IS PROHIBITED.

UNLESS OTHERWISE SPECIFIED:  
 DIMENSIONS ARE IN INCHES  
 TOLERANCES:  
 FRACTIONAL: ±1/32"  
 ANGULAR: MACH ±0.25° BEND ±1°  
 TWO PLACE DECIMAL ±0.03  
 THREE PLACE DECIMAL ±0.005

SCALE:  
 1:24

SHEET:  
 9 OF 11

PROJECT:

DIVISION-SOURCE:

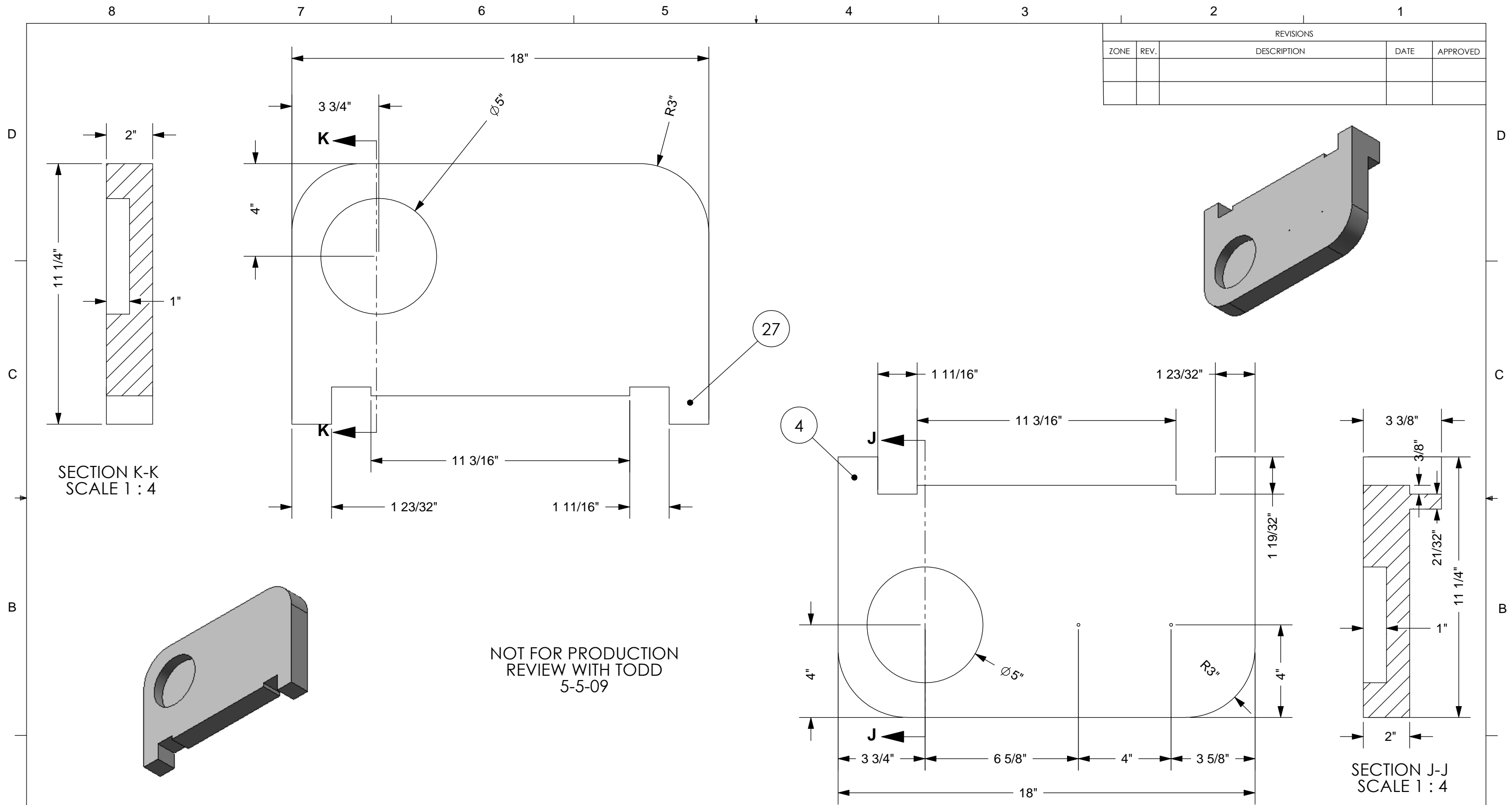
DRAWING TITLE:  
 SPLIT BILLION&INTRO

DRAWN BY:

DATE:  
 5/18/2009

8 7 6 5 4 3 2 1

REVISIONS				
ZONE	REV.	DESCRIPTION	DATE	APPROVED



NOT FOR PRODUCTION  
REVIEW WITH TODD  
5-5-09

**OMSI**  
**OREGON MUSEUM OF SCIENCE AND INDUSTRY**  
 1945 SE WATER AVENUE  
 PORTLAND, OR 97214-3354  
 PH: 503.797.4000  
 FAX: 503.797.4500  
**PROPRIETARY AND CONFIDENTIAL**  
 THE INFORMATION CONTAINED IN THIS DRAWING IS THE SOLE  
 PROPERTY OF OMSI. ANY REPRODUCTION IN PART OR AS A  
 WHOLE WITHOUT THE WRITTEN PERMISSION OF OMSI IS PROHIBITED.

UNLESS OTHERWISE SPECIFIED:  
 DIMENSIONS ARE IN INCHES  
 TOLERANCES:  
 FRACTIONAL  $\pm 1/32$ "  
 ANGULAR: MACH  $\pm 0.25^\circ$  BEND  $\pm 1^\circ$   
 TWO PLACE DECIMAL  $\pm 0.03$   
 THREE PLACE DECIMAL  $\pm 0.005$

SCALE:  
 1:24

SHEET:  
 10 OF 11

PROJECT:

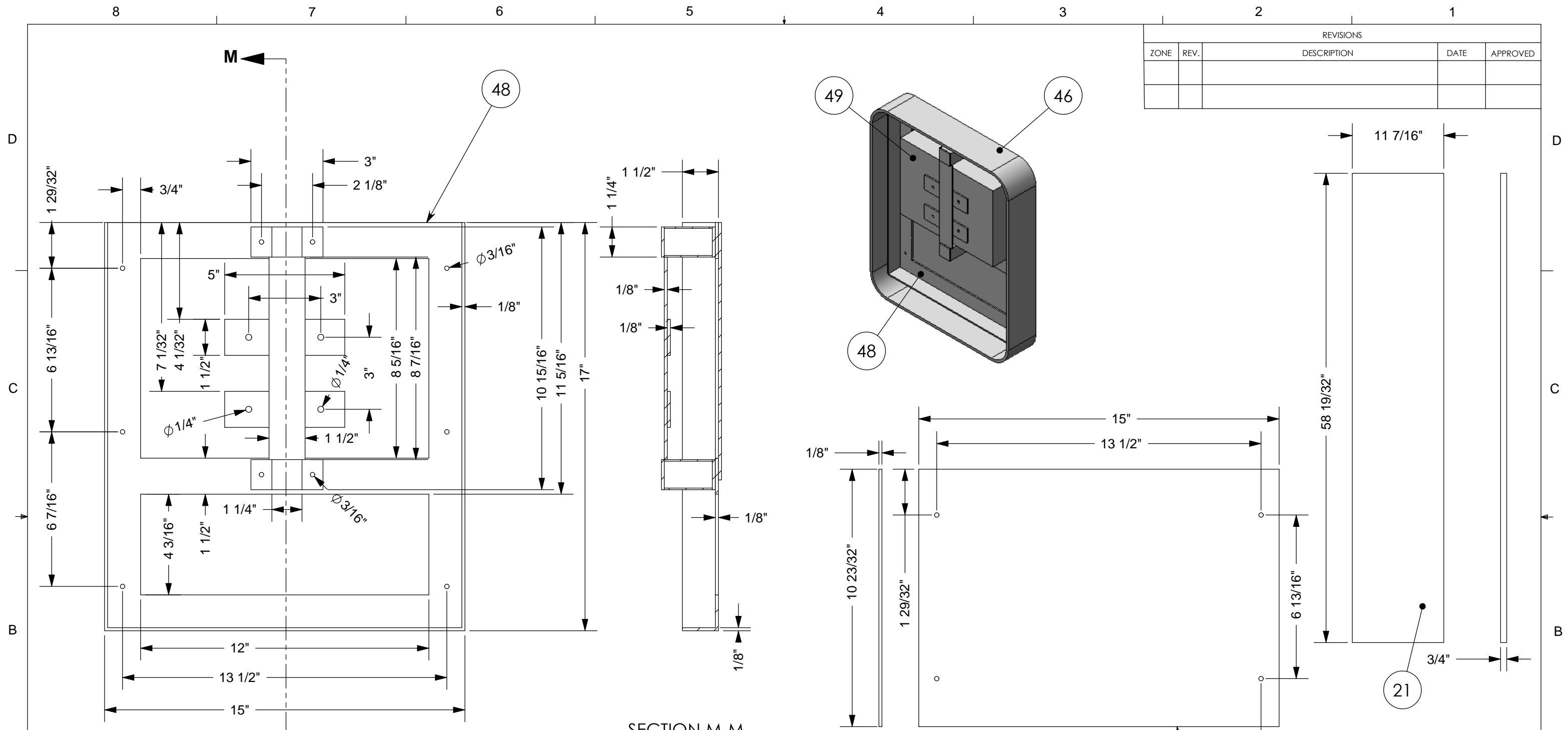
DRAWING TITLE:  
 Cut-Extrude27

DRAWN BY:

DIVISION-SOURCE:

DATE:  
 5/18/2009

REVISIONS				
ZONE	REV.	DESCRIPTION	DATE	APPROVED



SECTION M-M  
SCALE 1 : 4

.125 CLEAR ACRYLIC

NOT FOR PRODUCTION  
REVIEW WITH TODD  
5-5-09

**OMSI**  
**OREGON MUSEUM OF SCIENCE AND INDUSTRY**  
 1945 SE WATER AVENUE  
 PORTLAND, OR 97214-3354  
 PH: 503.797.4000  
 FAX: 503.797.4500  
**PROPRIETARY AND CONFIDENTIAL**  
 THE INFORMATION CONTAINED IN THIS DRAWING IS THE SOLE  
 PROPERTY OF OMSI. ANY REPRODUCTION IN PART OR AS A  
 WHOLE WITHOUT THE WRITTEN PERMISSION OF OMSI IS PROHIBITED.

UNLESS OTHERWISE SPECIFIED:  
 DIMENSIONS ARE IN INCHES  
 TOLERANCES:  
 FRACTIONAL  $\pm 1/32$ "  
 ANGULAR: MACH  $\pm 0.25^\circ$  BEND  $\pm 1^\circ$   
 TWO PLACE DECIMAL  $\pm 0.03$   
 THREE PLACE DECIMAL  $\pm 0.005$

SCALE:  
1:24

SHEET:  
11 OF 11

PROJECT:

DIVISION-SOURCE:

DRAWING TITLE:  
Extrude66

DRAWN BY:

DATE:  
5/18/2009