

Science Museum of Minnesota

120 W. KELLOGG, ST. PAUL, MN 55102
phone: (651) 221-9488 fax: (651) 221-4777

© 1999 The Science Museum of Minnesota
The drawing(s) on this sheet are the exclusive property of The Science Museum of Minnesota and are protected by the copyright laws of the United States. The purchaser of this drawing is granted the limited right to use or copy the drawing(s) as required for the manufacture of the object or objects described by the drawing, for the purchaser's own use, in purchaser's own facility. Purchaser may not sell, duplicate, or transfer in any way the drawings or the objects created from the drawings to any third party without the express written consent of the Science Museum of Minnesota.

MATERIALS:

HARDWARE:

FINISH:

NOTES:

APPROVED FOR CONSTRUCTION

BY: _____ DATE: _____

FIELD DIMS CHECK _____ COMP'T DIMS CHECK _____

BY: _____ DATE: _____ BY: _____ DATE: _____

DWGS ISSUED TO _____ BY: _____ DATE: _____

SHOP

REV. BY: _____ DATE: _____ REVISION DESCRIPTION

1 _____

2 _____

3 _____

4 _____

EXHIBIT TITLE:

MARS

DRAWN BY: _____ DATE DRAWN: _____ BUILT BY: _____

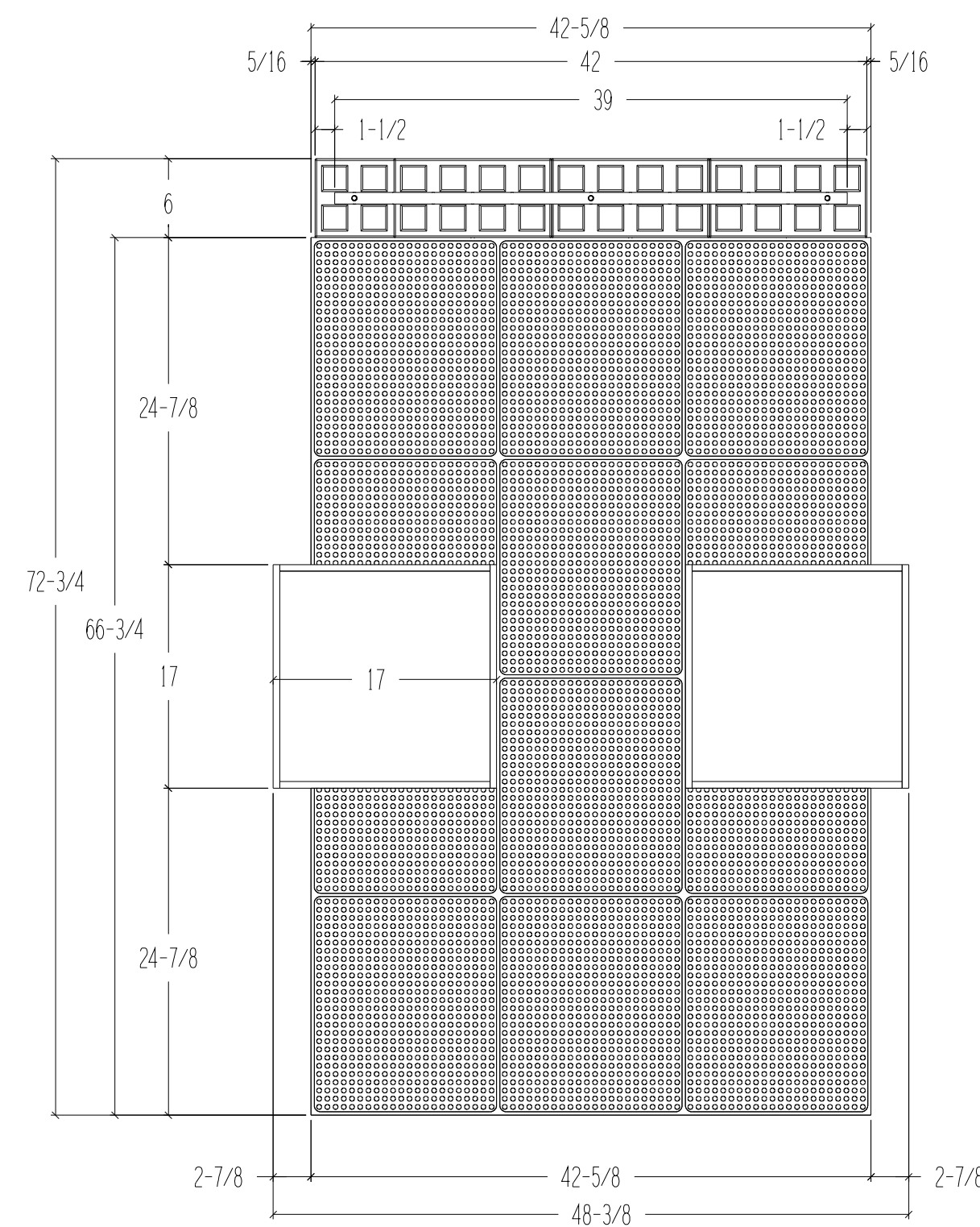
BSS 12/24/21

DWG TITLE: MARS TABLE SCHEMATIC-F-10.4

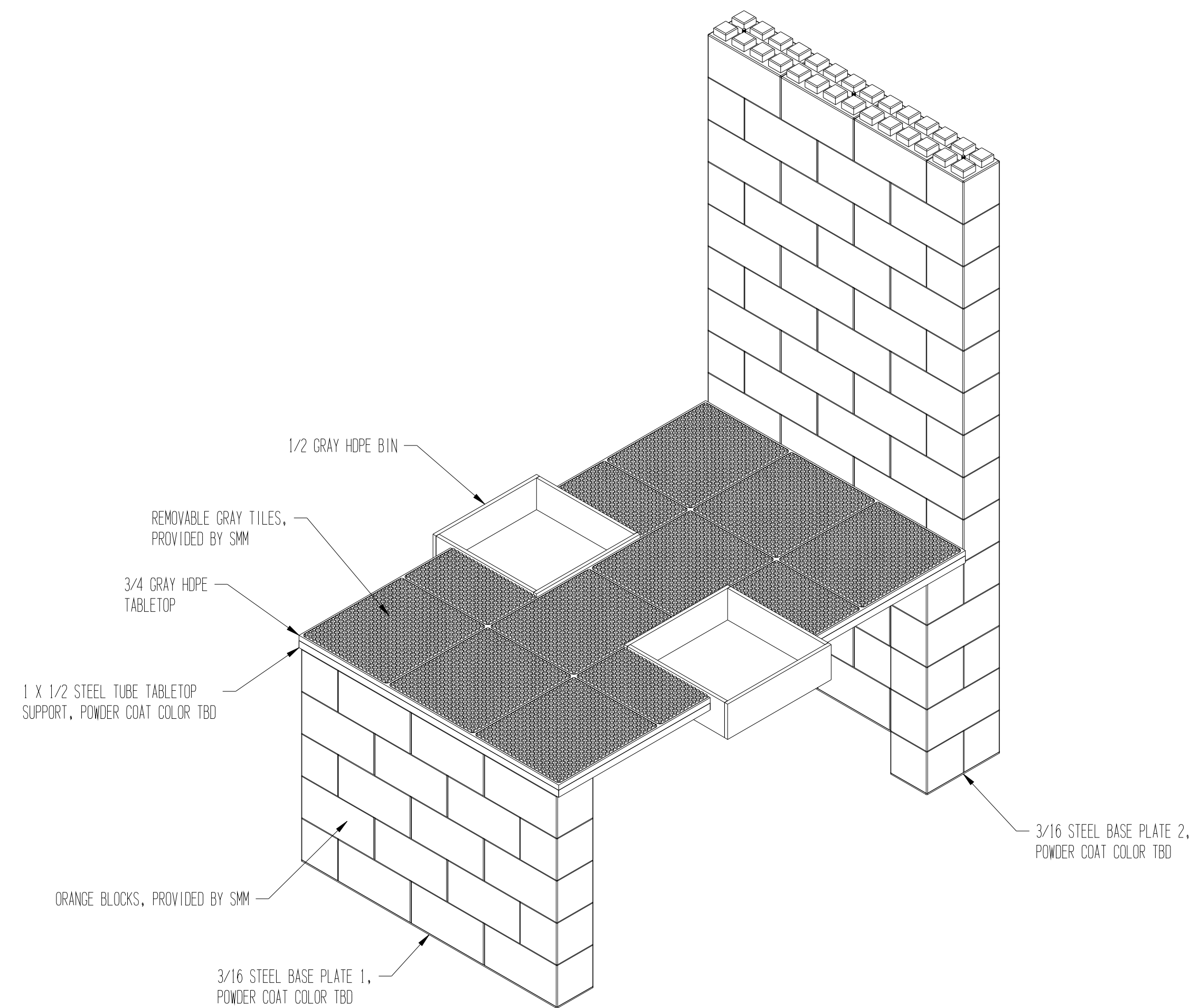
COMPONENT #: _____ CRATE #: _____

MARS TABLE SCHEMATIC-F-10.4

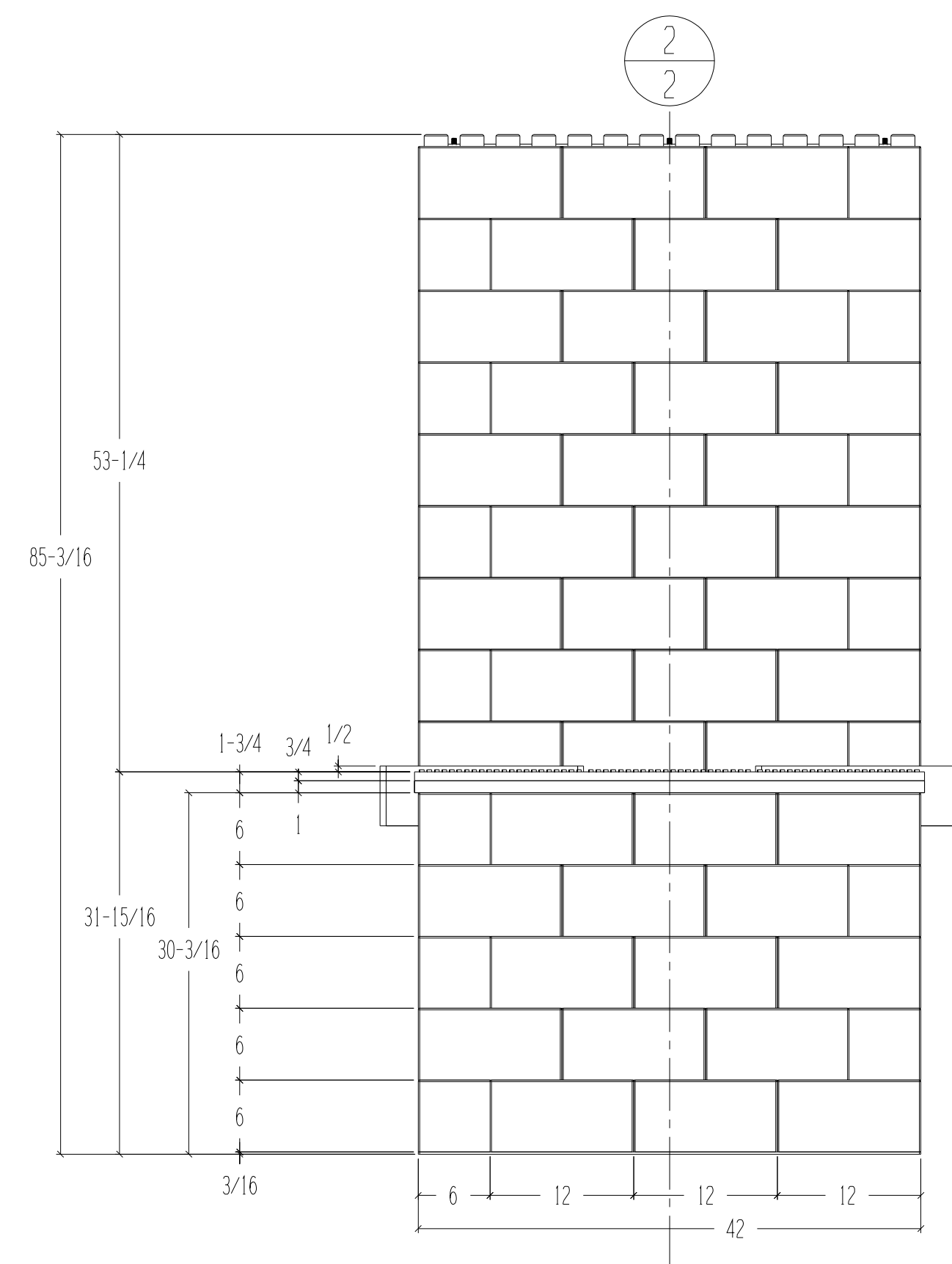
SCALE: AS NOTED DWG #: 1 OF 4



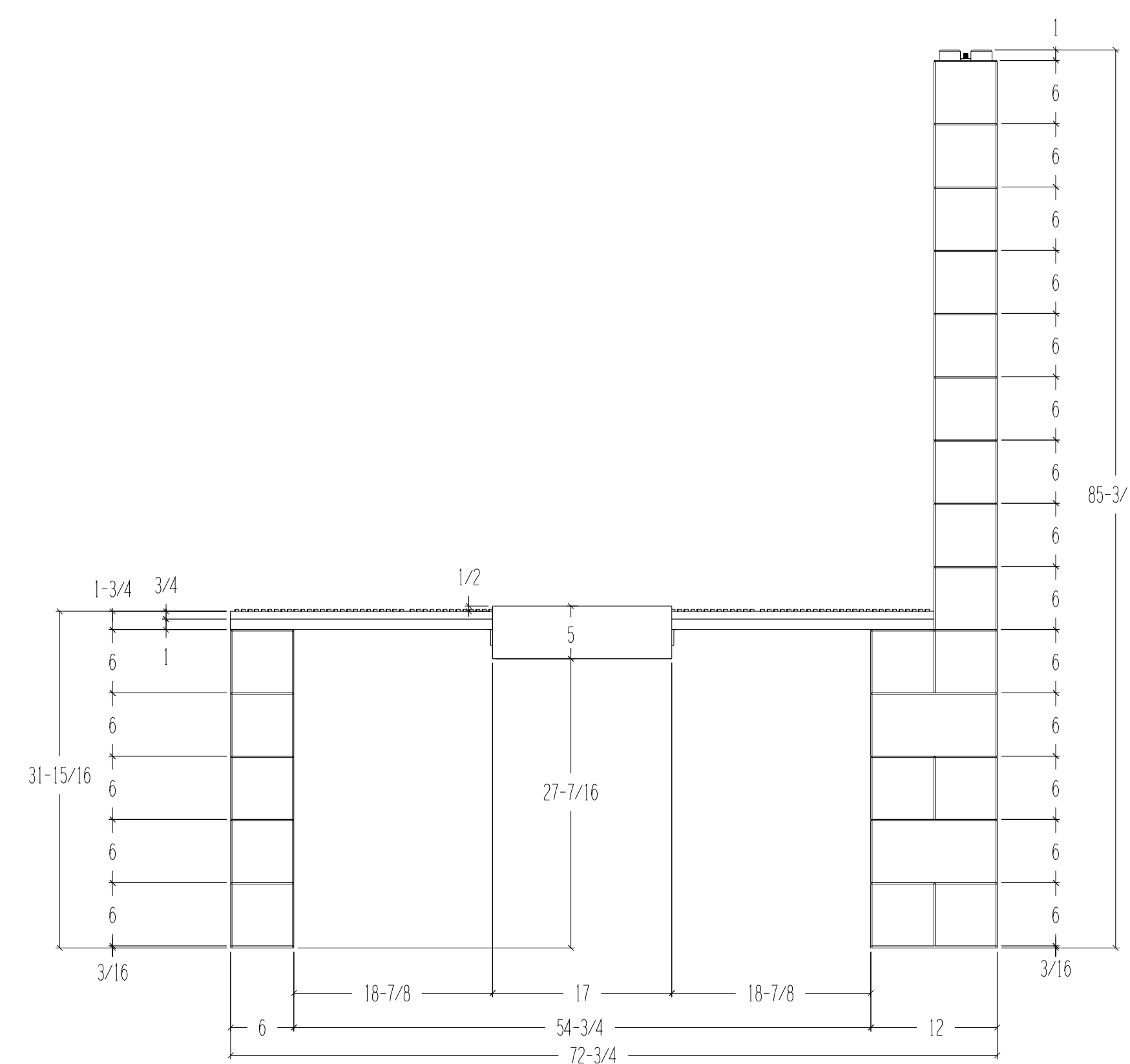
1 PLAN VIEW @ MARS TABLE SCHEMATIC-F-10.4
1" = 1' - 0"



2 ISOMETRIC VIEW @ MARS TABLE SCHEMATIC-F-10.4
1" = 1' - 0"



3 FRONT VIEW @ MARS TABLE SCHEMATIC-F-10.4
1" = 1' - 0"



4 RIGHT VIEW @ MARS TABLE SCHEMATIC-F-10.4
1" = 1' - 0"



**Science
Museum
of Minnesota**

120 W. KELLOGG, ST. PAUL, MN 55102
phone: (651) 221-9488 fax: (651) 221-4777

© 1999 The Science Museum of Minnesota
The drawing(s) on this sheet are the exclusive property of The Science Museum of Minnesota and are protected by the copyright laws of the United States. The purchaser of this drawing is granted the limited right to use or copy the drawing(s) as required for the manufacture of the object or objects described by the drawing, for the purchaser's own use, in purchaser's own facility. Purchaser may not sell, duplicate, or transfer in any way the drawings or the objects created from the drawings to any third party without the express written consent of the Science Museum of Minnesota.

MATERIALS:

HARDWARE:

FINISH:

NOTES:

APPROVED FOR CONSTRUCTION

BY: _____ DATE: _____

FIELD DIMS CHECK _____ COMP'T DIMS CHECK _____

BY: _____ DATE: _____ BY: _____ DATE: _____

DWGS ISSUED TO _____ BY: _____ DATE: _____

SHIP

REV. BY: _____ DATE: _____ REVISION DESCRIPTION

REV.	BY:	DATE:	REVISION DESCRIPTION
1			
2			
3			
4			

EXHIBIT TITLE:

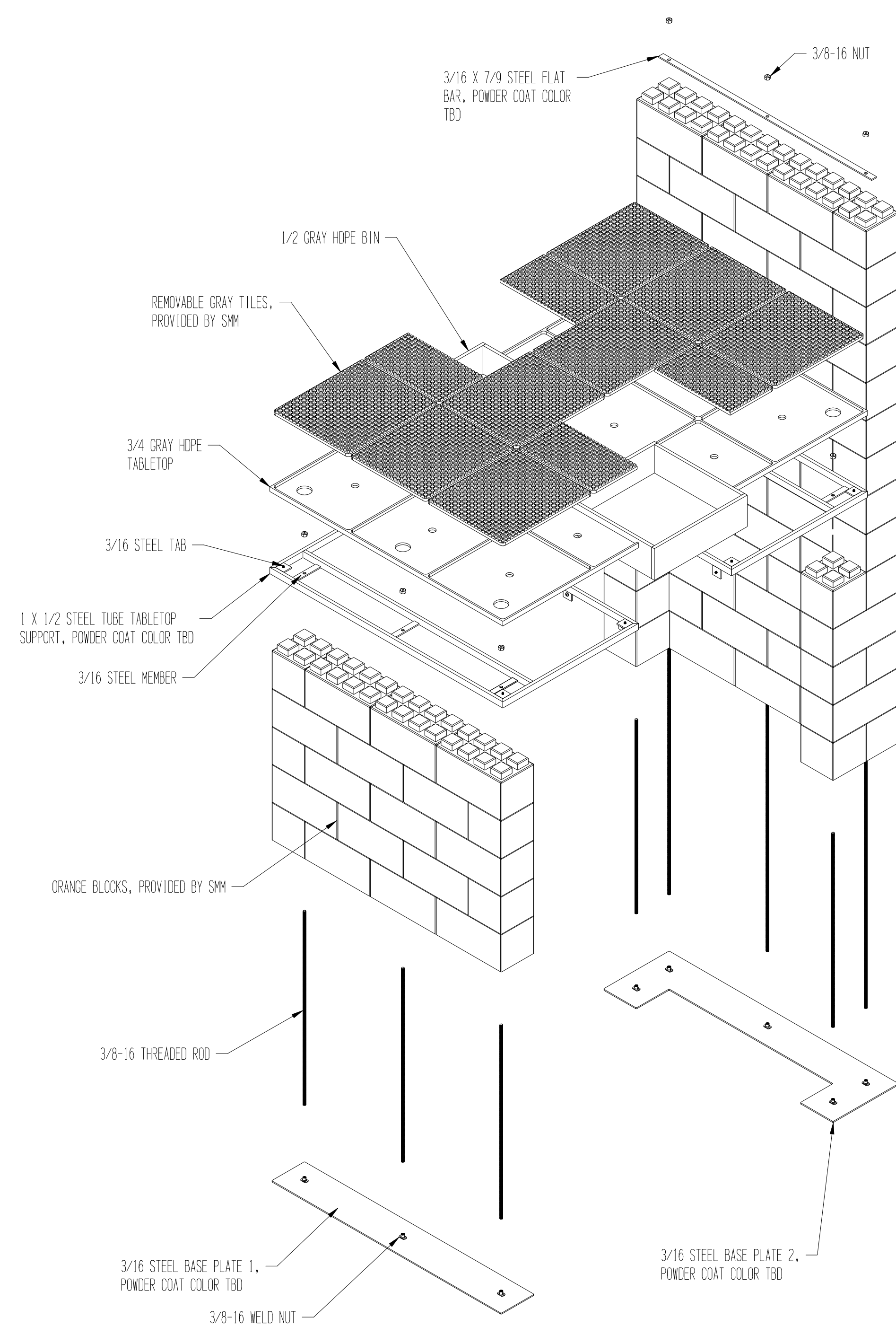
MARS

DRAWN BY: BSS DATE DRAWN: 12/24/21 BUILT BY: _____

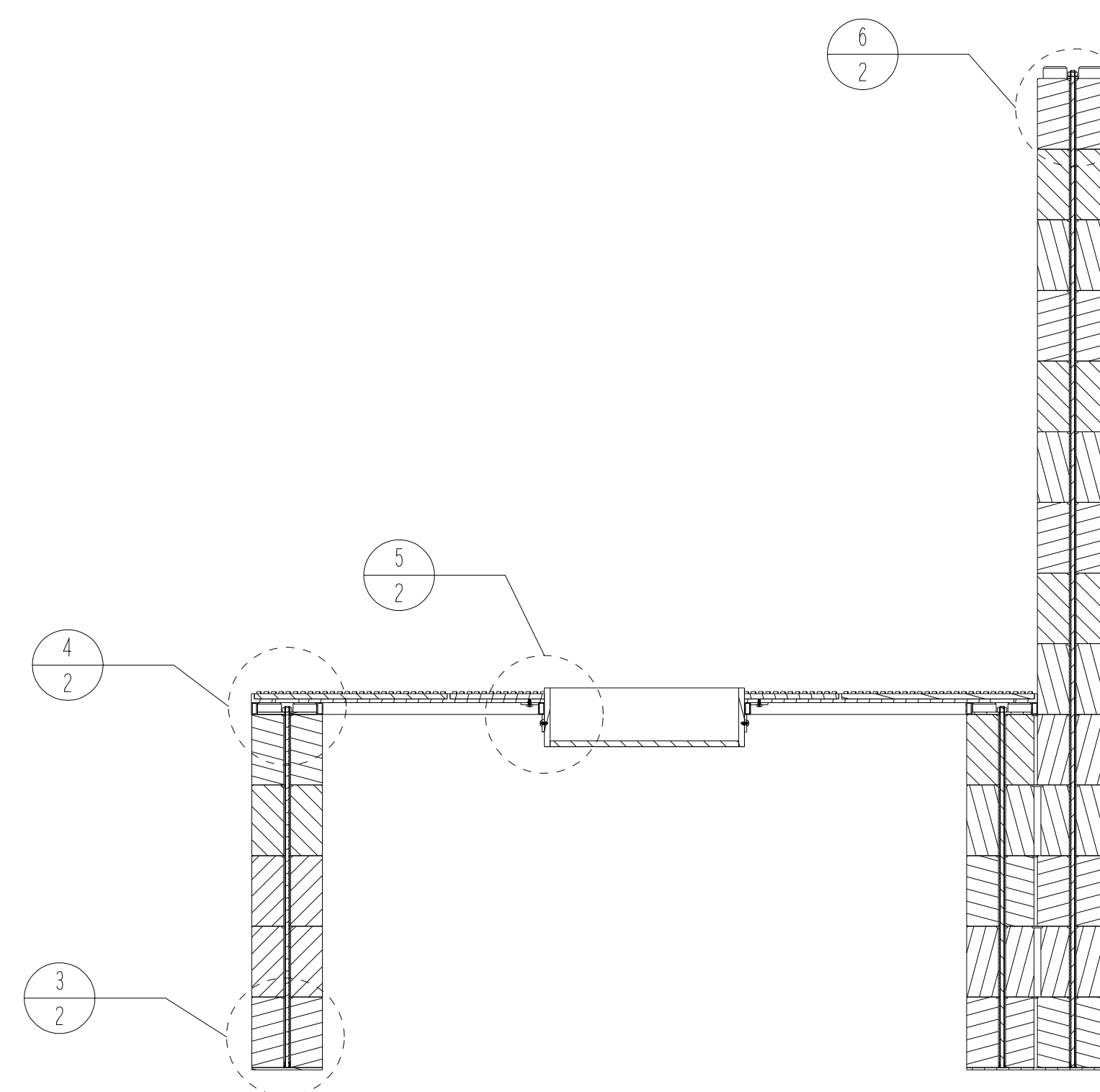
DWG TITLE: MARS TABLE SCHEMATIC-F-10.4

COMPONENT #: MARS TABLE SCHEMATIC-F-10.4 CRATE #: _____

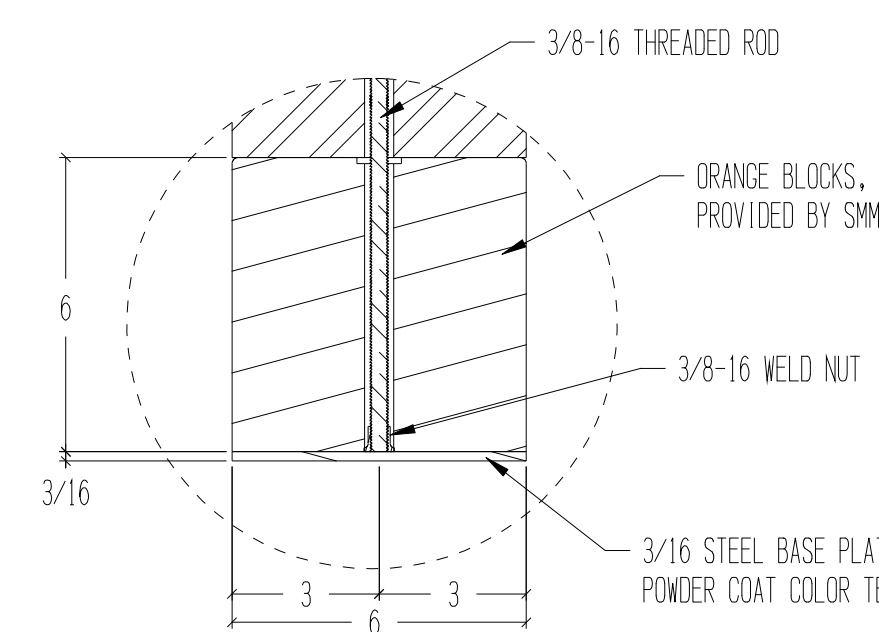
SCALE: AS NOTED DWG #: 2 OF 4



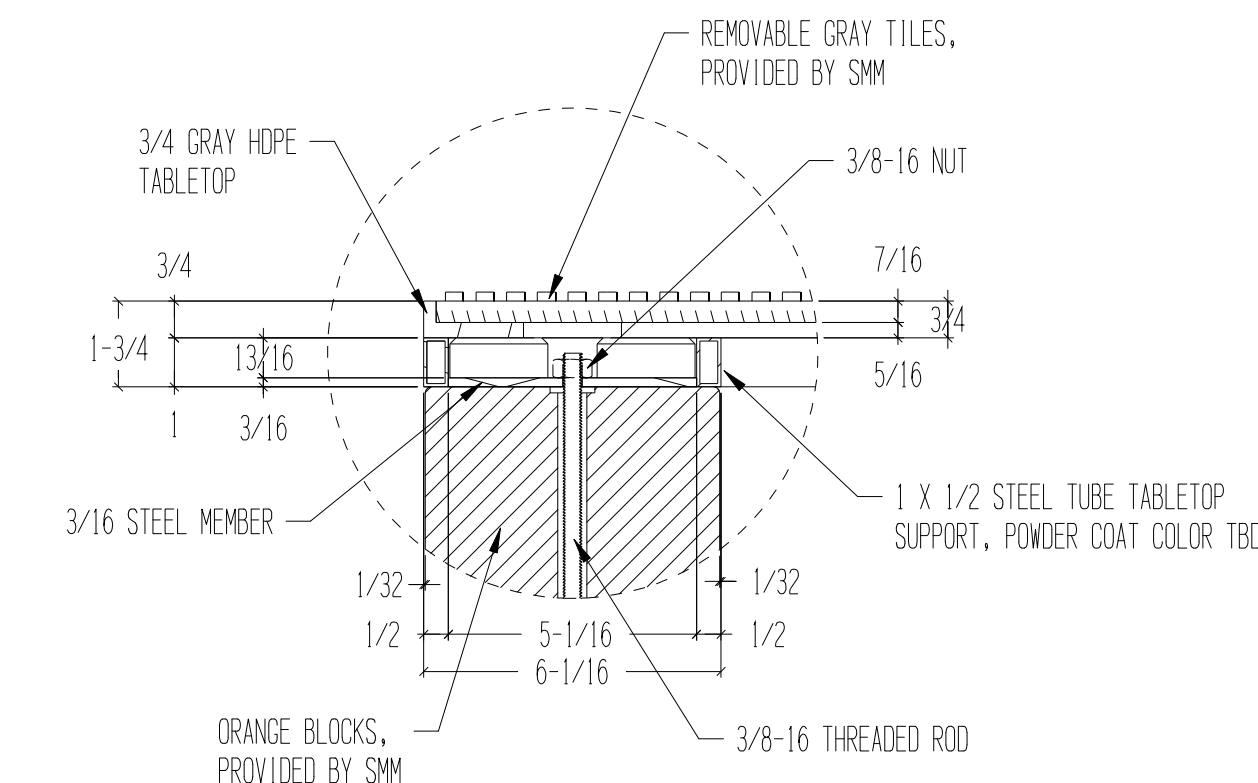
1 EXPLODED VIEW @ MARS TABLE SCHEMATIC-F-10.4
2 NTS



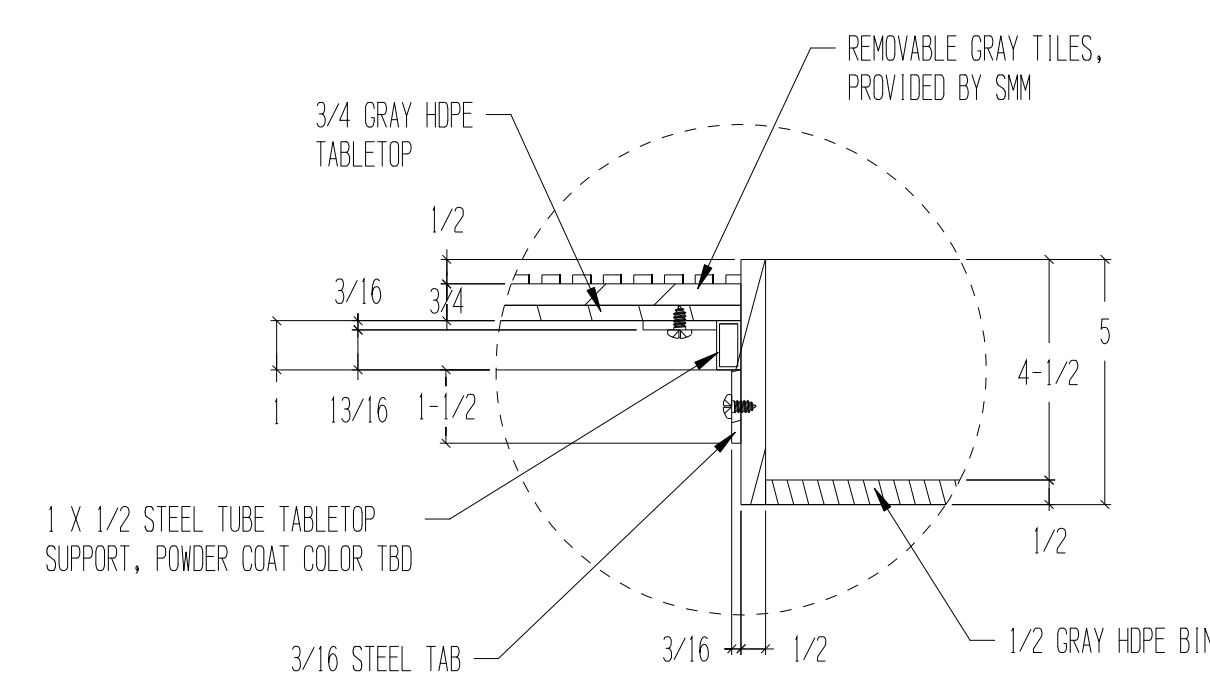
2 SECTION VIEW @ MARS TABLE SCHEMATIC-F-10.4
2 1" = 1'-0"



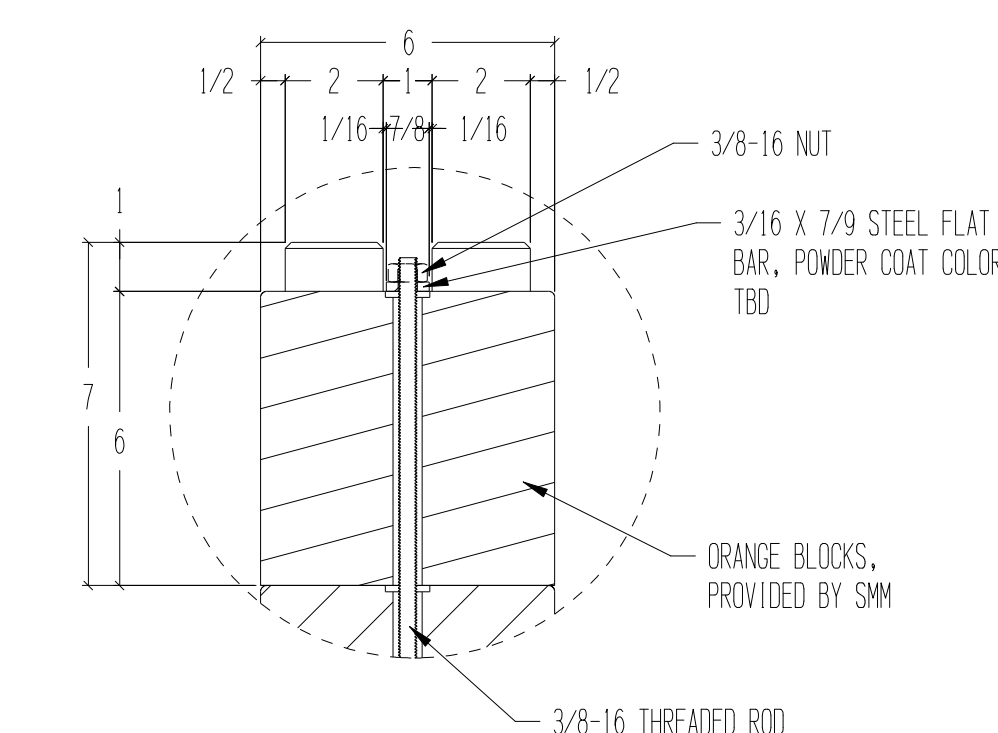
3 DETAILS @ MARS TABLE SCHEMATIC-F-10.4
2 1/4 FS



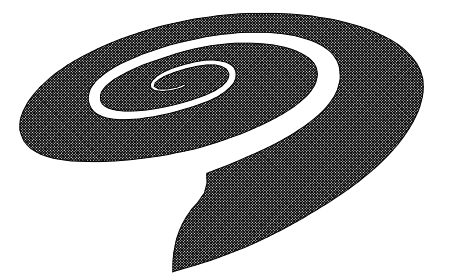
4 DETAILS @ MARS TABLE SCHEMATIC-F-10.4
2 1/4 FS



5 DETAILS @ MARS TABLE SCHEMATIC-F-10.4
2 1/4 FS



6 DETAILS @ MARS TABLE SCHEMATIC-F-10.4
2 1/4 FS



Science Museum of Minnesota

120 W. KELLOGG, ST. PAUL, MN 55102
phone: (651) 221-9488 fax: (651) 221-4777

© 1999 The Science Museum of Minnesota
The drawing(s) on this sheet are the exclusive property of The Science Museum of Minnesota and are protected by the copyright laws of the United States. The purchaser of this drawing is granted the limited right to use or copy the drawing(s) as required for the manufacture of the object or objects described by the drawing, for the purchaser's own use, in purchaser's own facility. Purchaser may not sell, duplicate, or transfer in any way the drawings or the objects created from the drawings to any third party without the express written consent of The Science Museum of Minnesota.

MATERIALS:

HARDWARE:

FINISH:

NOTES:

APPROVED FOR CONSTRUCTION

BY: DATE:

FIELD DIMS CHECK BY: DATE: COMP T DIMS CHECK BY: DATE:

DWGS ISSUED TO BY: DATE:

SHOP

REV. BY: DATE: REVISION DESCRIPTION

1			
2			
3			
4			

EXHIBIT TITLE:

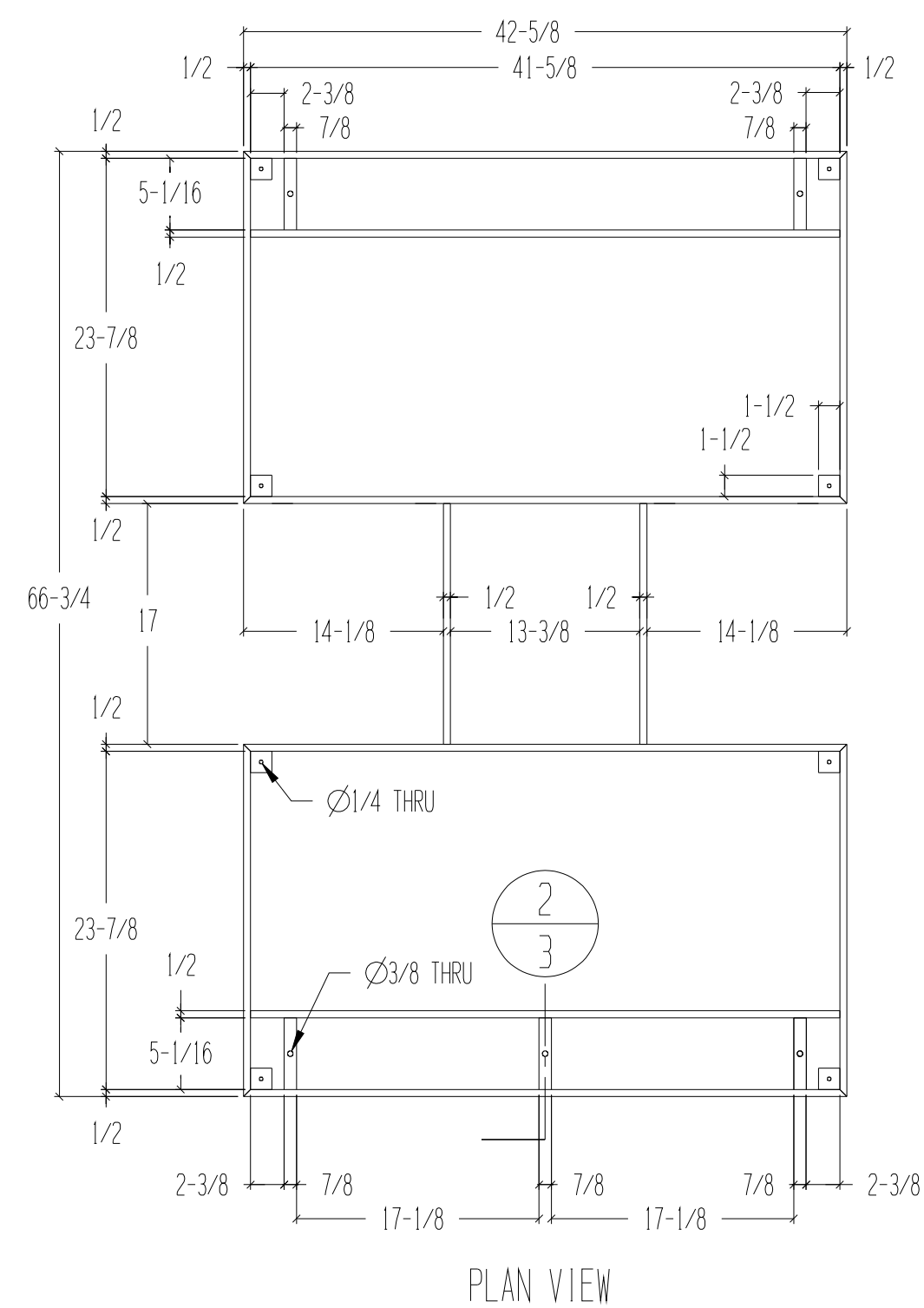
MARS

DRAWN BY: BSS DATE DRAWN: 12/24/21 BUILT BY:

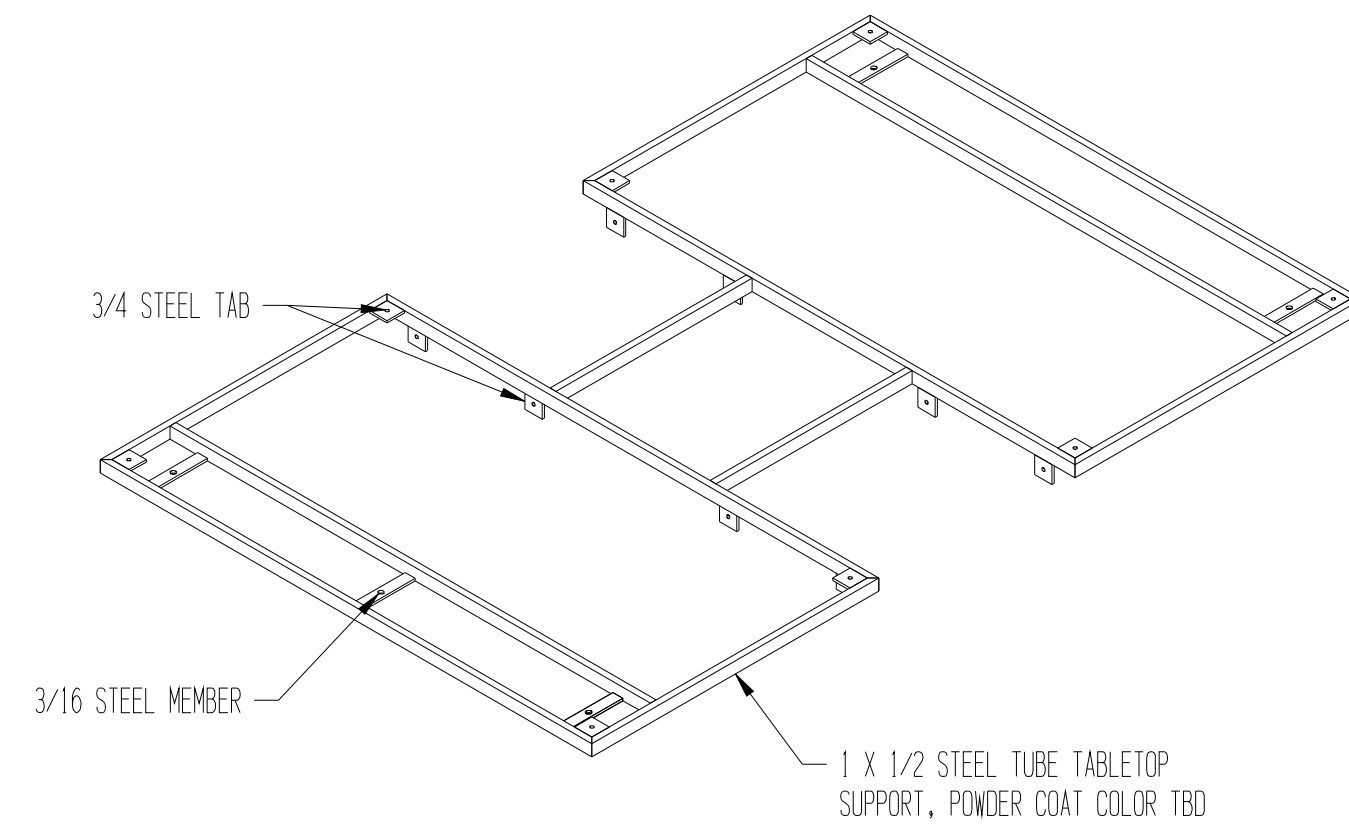
DWG TITLE: MARS TABLE SCHEMATIC-F-10.4

COMPONENT #: MARS TABLE SCHEMATIC-F-10.4 CRATE #:

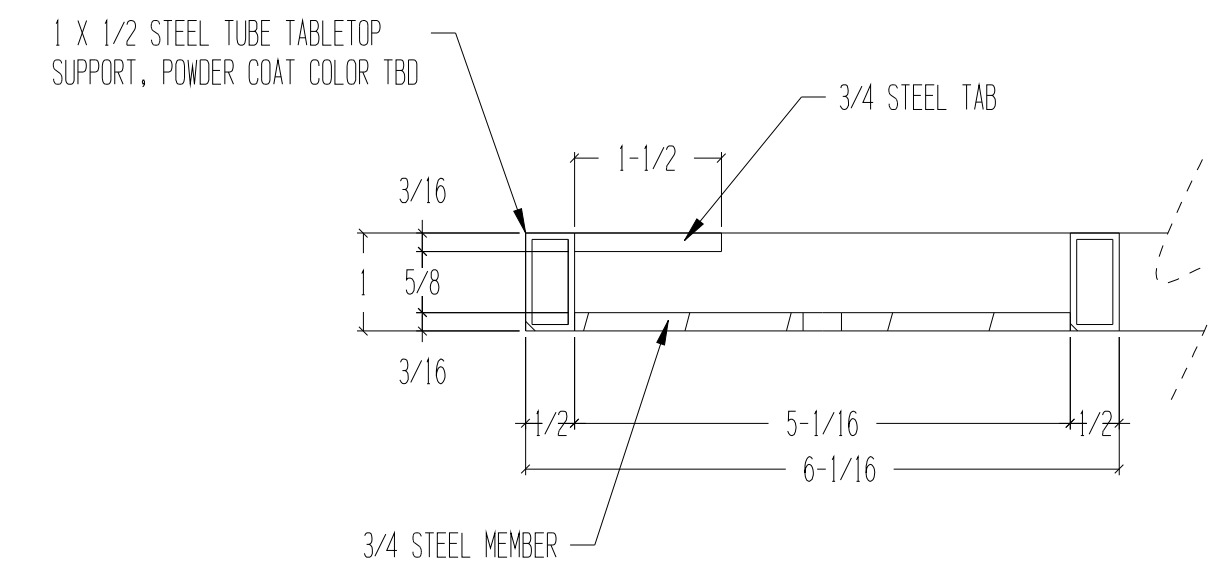
SCALE: AS NOTED DWG #: 3 OF 4



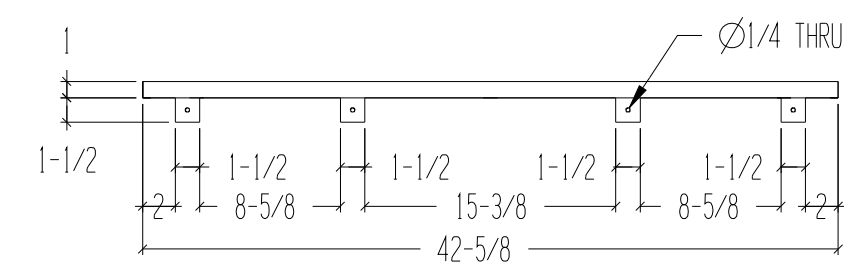
PLAN VIEW



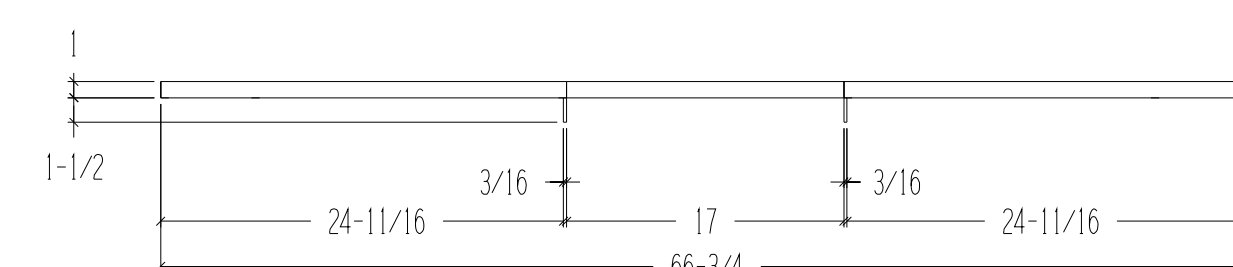
ISOMETRIC VIEW
SCALE: NTS



2 PARTIAL SECTION VIEW @ STEEL FRAME TABLETOP SUPPORT
3 1/2 FS

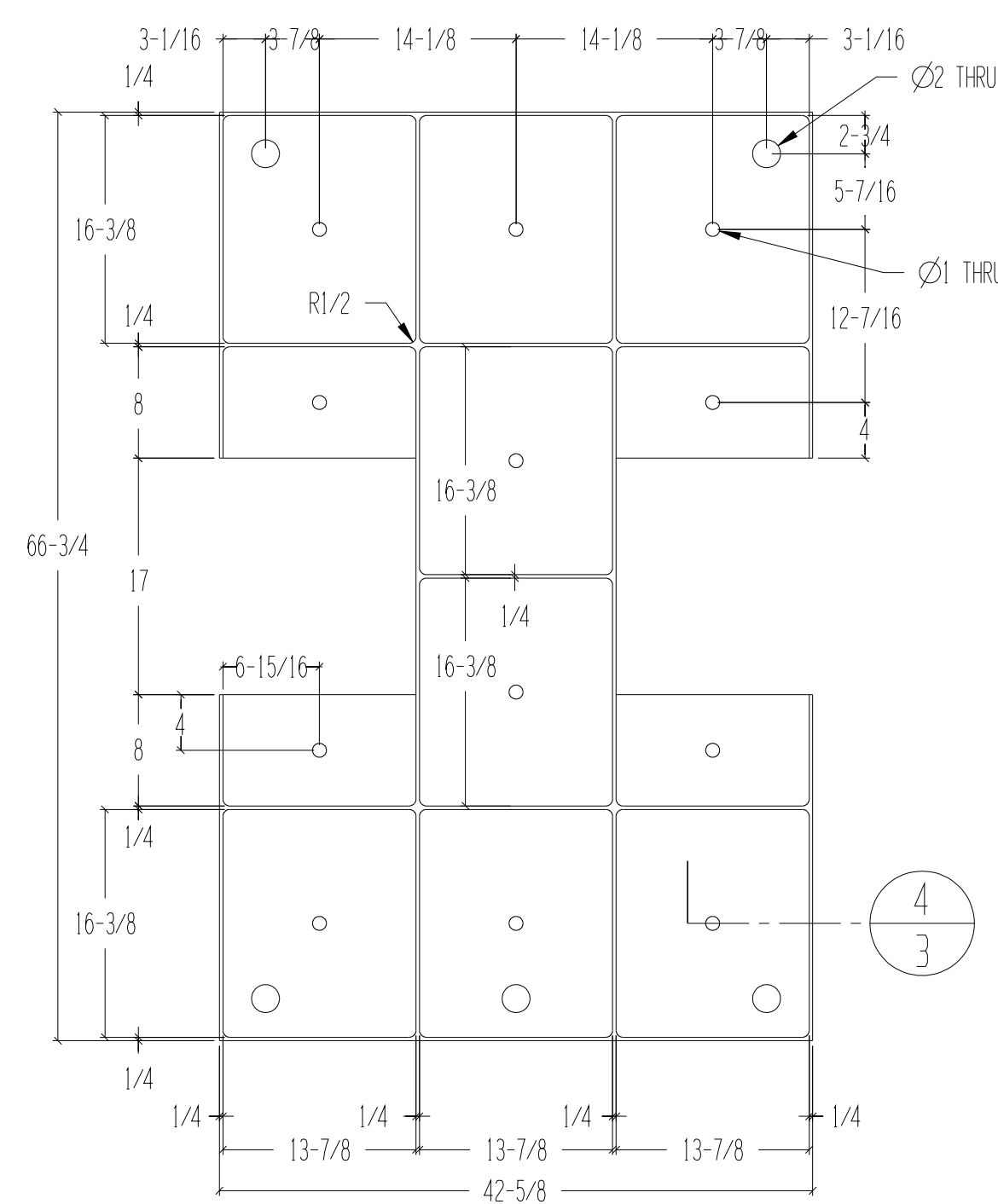


FRONT VIEW

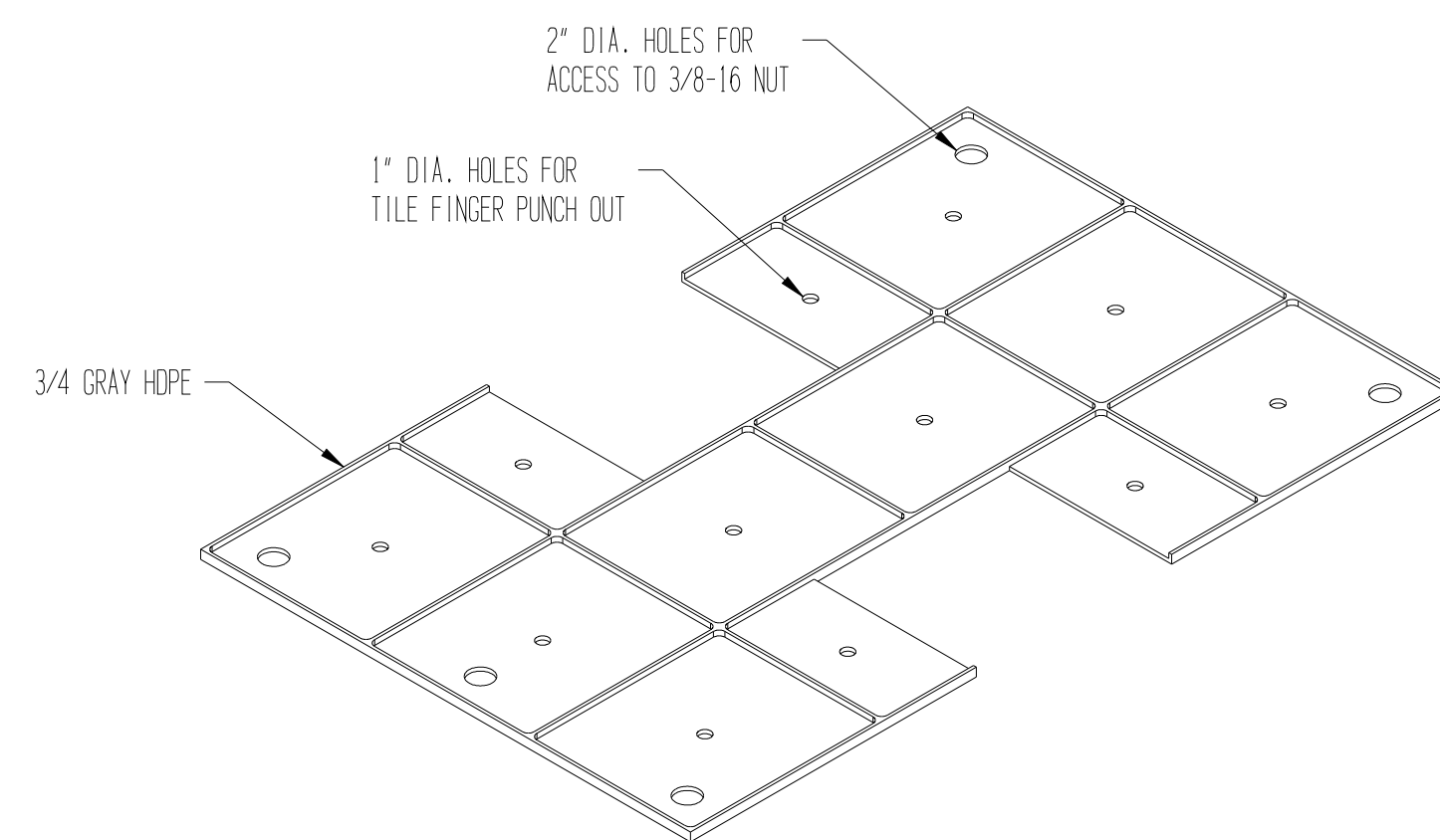


RIGHT VIEW

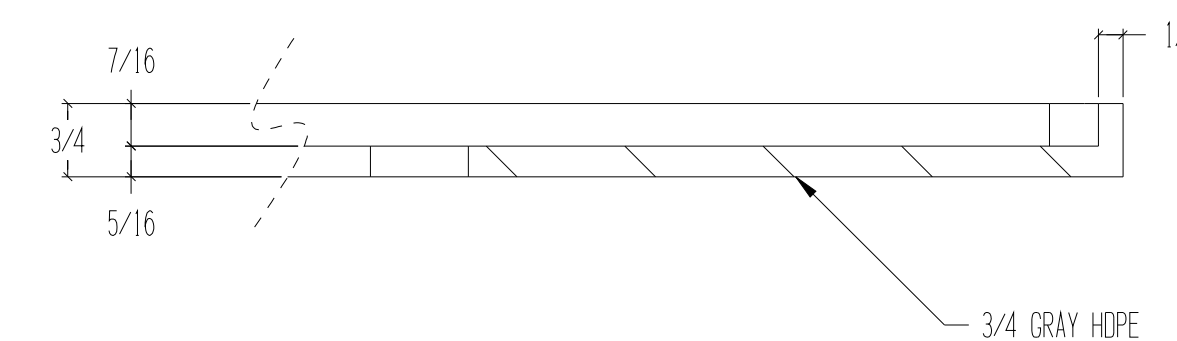
1 MARS TABLE SCHEMATIC-F-10.4- STEEL FRAME TABLETOP SUPPORT
3 1" = 1' - 0"



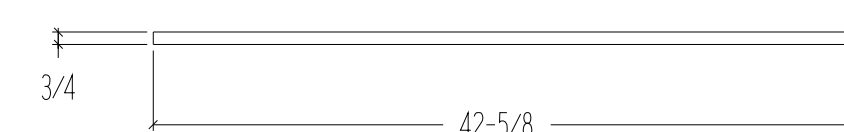
PLAN VIEW



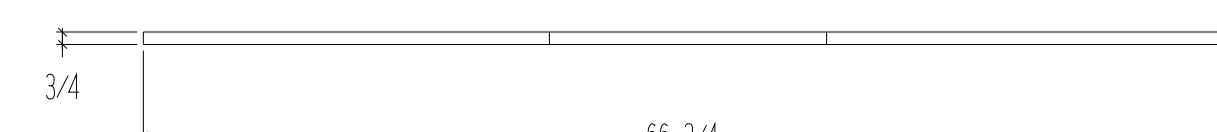
ISOMETRIC VIEW
SCALE: NTS



4 PARTIAL SECTION VIEW @ TABLETOP
3 1/2 FS

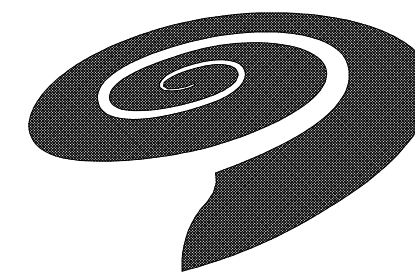


FRONT VIEW



RIGHT VIEW

3 MARS TABLE SCHEMATIC-F-10.4- TABLETOP
3 1" = 1' - 0"



**Science
Museum
of Minnesota**

120 W. KELLOGG, ST. PAUL, MN 55102
phone: (651) 221-9488 fax: (651) 221-4777

© 1999 The Science Museum of Minnesota
The drawing(s) on this sheet are the exclusive property of The Science Museum of Minnesota and are protected by the copyright laws of the United States. The purchaser of this drawing is granted the limited right to use or copy the drawing(s) as required for the manufacture of the object or objects described by the drawing, for the purchaser's own use, in purchaser's own facility. Purchaser may not sell, duplicate, or transfer in any way the drawings or the objects created from the drawings to any third party without the express written consent of the Science Museum of Minnesota.

MATERIALS:

HARDWARE:

FINISH:

NOTES:

APPROVED FOR CONSTRUCTION

BY: _____ DATE: _____

FIELD DIMS CHECK _____ COMP'T DIMS CHECK _____

BY: _____ DATE: _____ BY: _____ DATE: _____

DWGS ISSUED TO _____ BY: _____ DATE: _____

SHOP

REV. BY: DATE: REVISION DESCRIPTION

REV.	BY:	DATE:	REVISION DESCRIPTION
1			
2			
3			
4			

EXHIBIT TITLE:

MARS

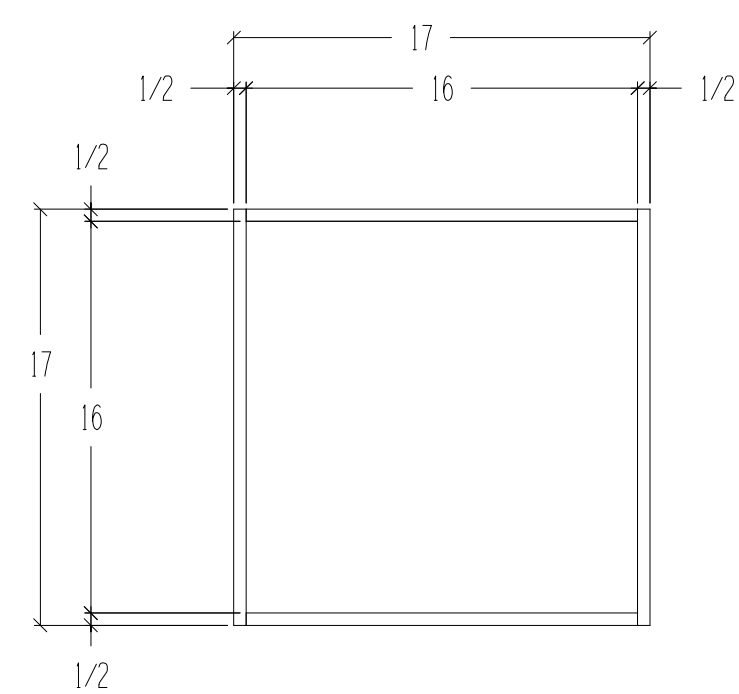
DRAWN BY: BSS DATE DRAWN: 12/24/21 BUILT BY:

DWG TITLE:

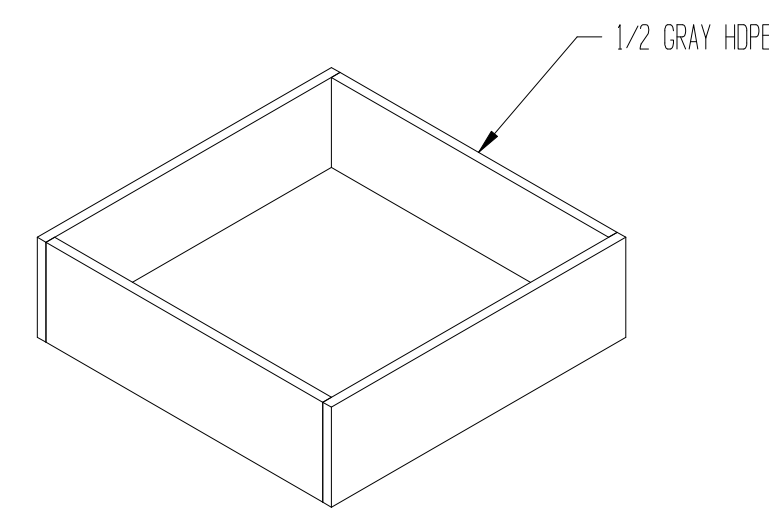
MARS TABLE SCHEMATIC-F-10.4

COMPONENT #: MARS TABLE SCHEMATIC-F-10.4 CRATE #:

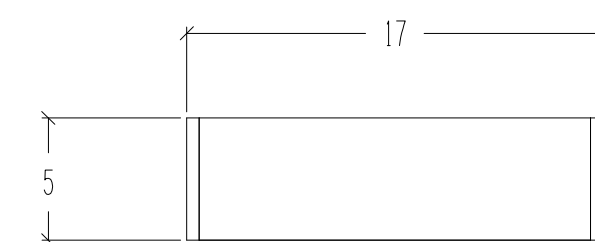
SCALE: AS NOTED DWG #: 4 OF 4



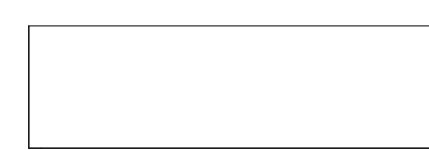
PLAN VIEW



ISOMETRIC VIEW
SCALE: NTS

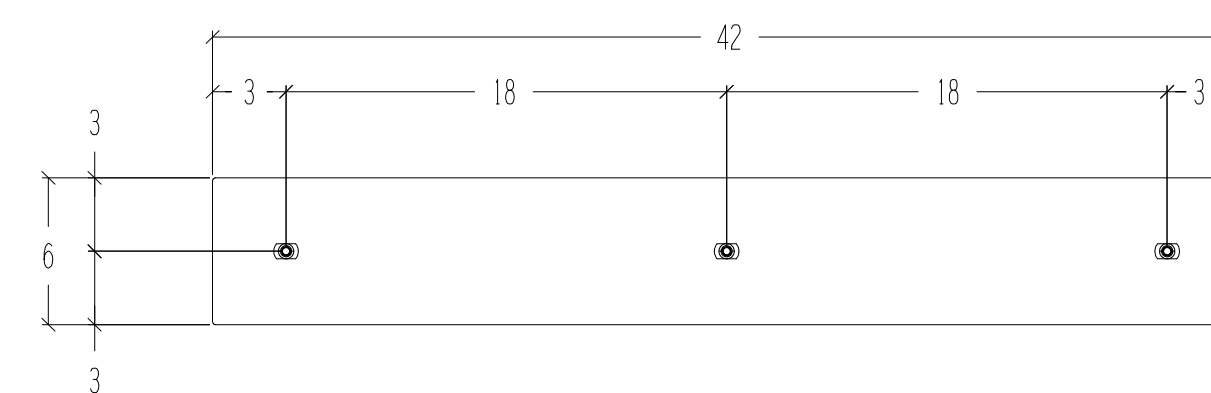


FRONT VIEW

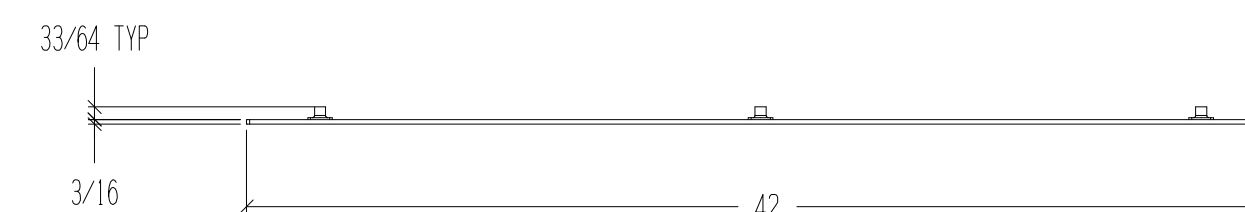


RIGHT VIEW

1 MARS TABLE SCHEMATIC-F-10.4- BINS (MAKE 2)
4 1/8 FS

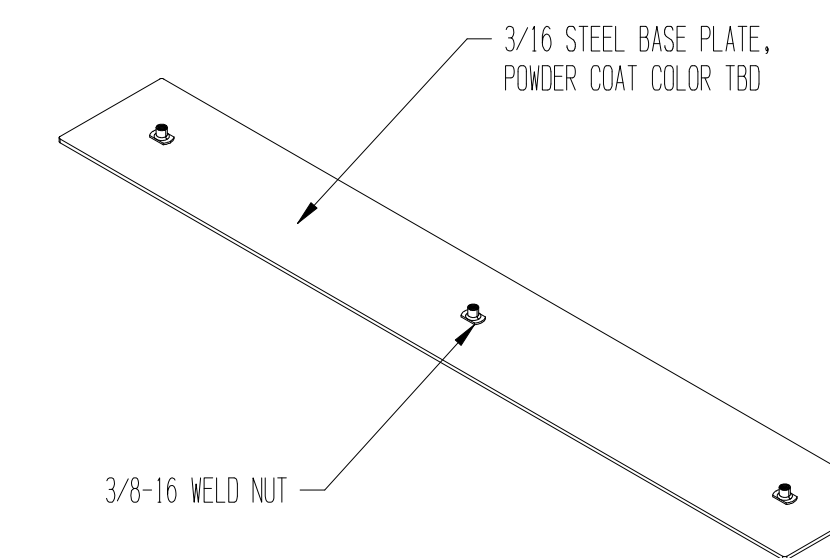


PLAN VIEW

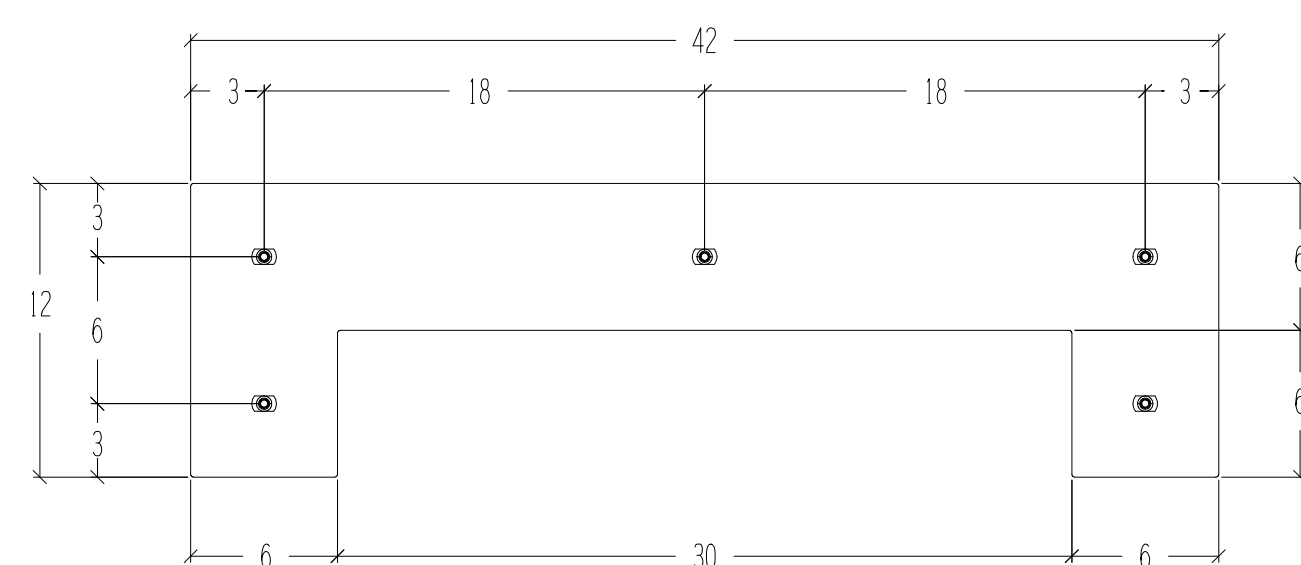


FRONT VIEW

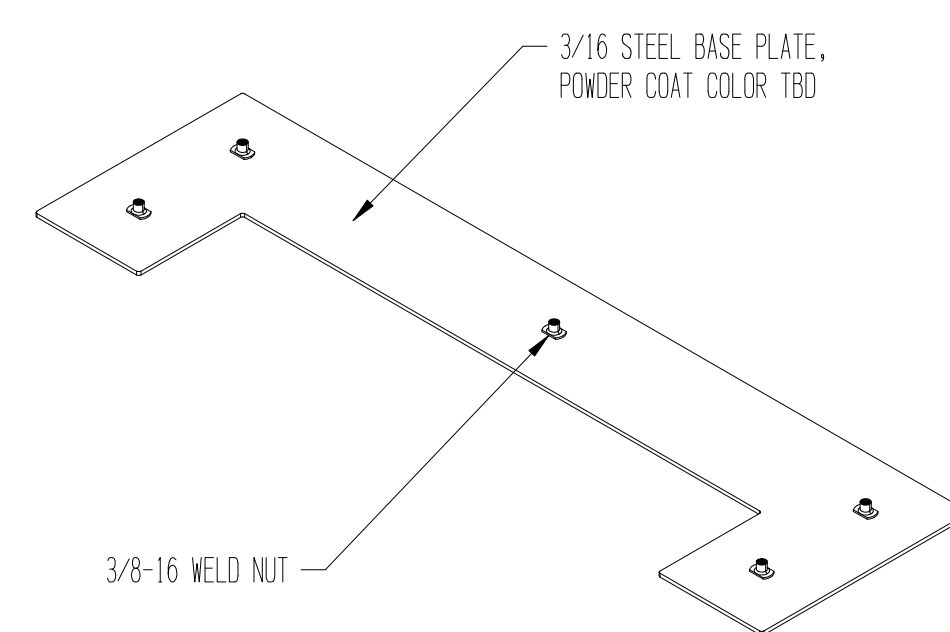
2 MARS TABLE SCHEMATIC-F-10.4- BASE PLATE 1
4 1/8 FS



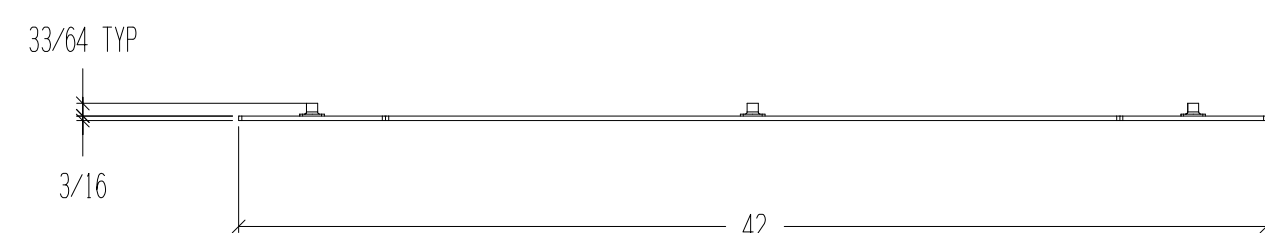
ISOMETRIC VIEW
SCALE: NTS



PLAN VIEW

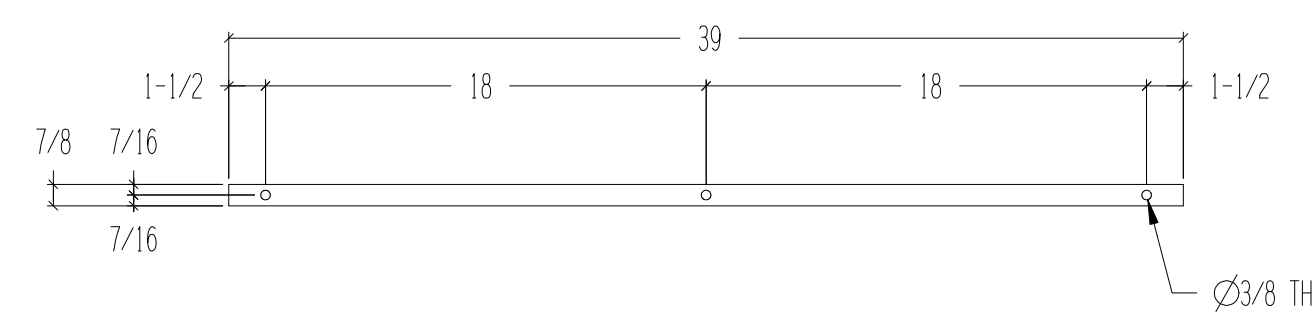


ISOMETRIC VIEW
SCALE: NTS

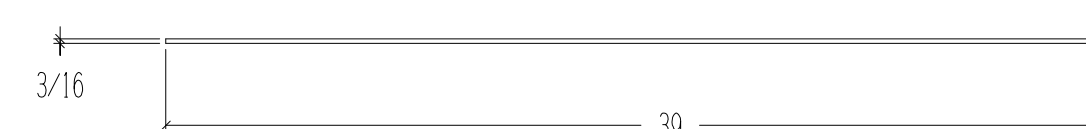


FRONT VIEW

3 MARS TABLE SCHEMATIC-F-10.4- BASE PLATE 2
4 1/8 FS

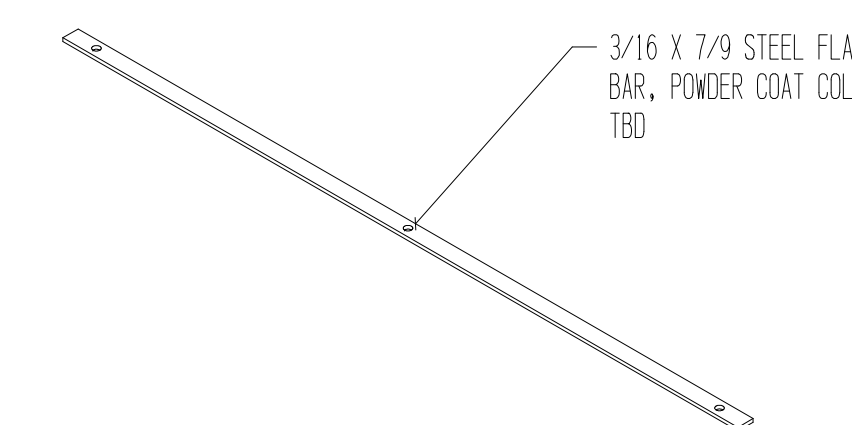


PLAN VIEW



FRONT VIEW

4 MARS TABLE SCHEMATIC-F-10.4- STEEL STRAP
4 1/8 FS



ISOMETRIC VIEW
SCALE: NTS